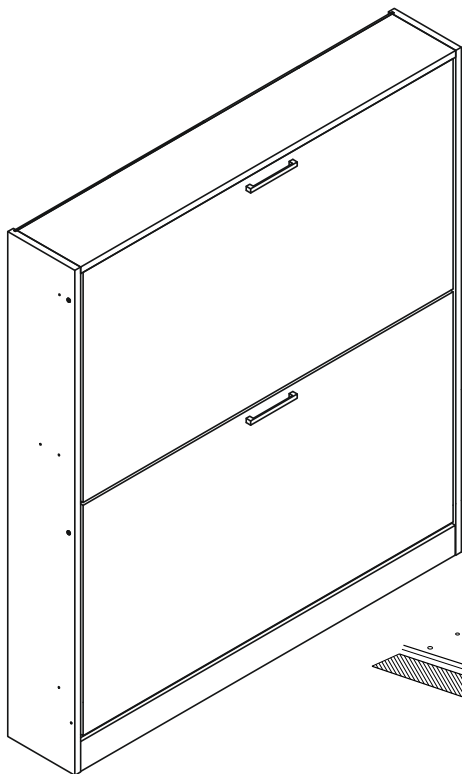


MULTIMO

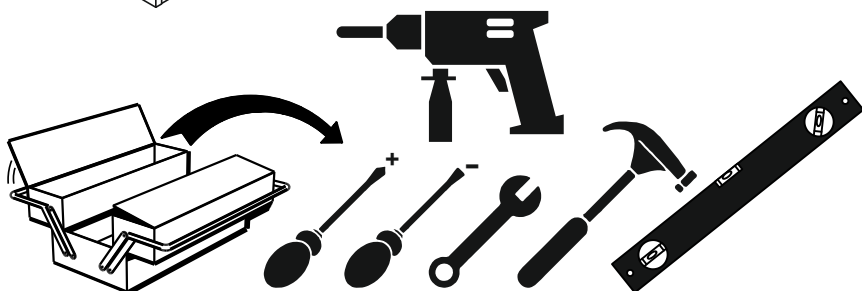
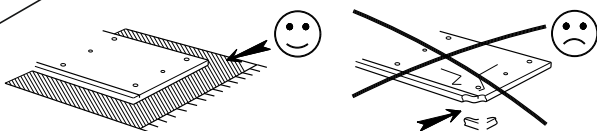
A 205-PENSIERO



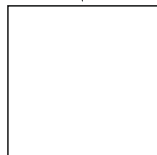
Technical Service



End User



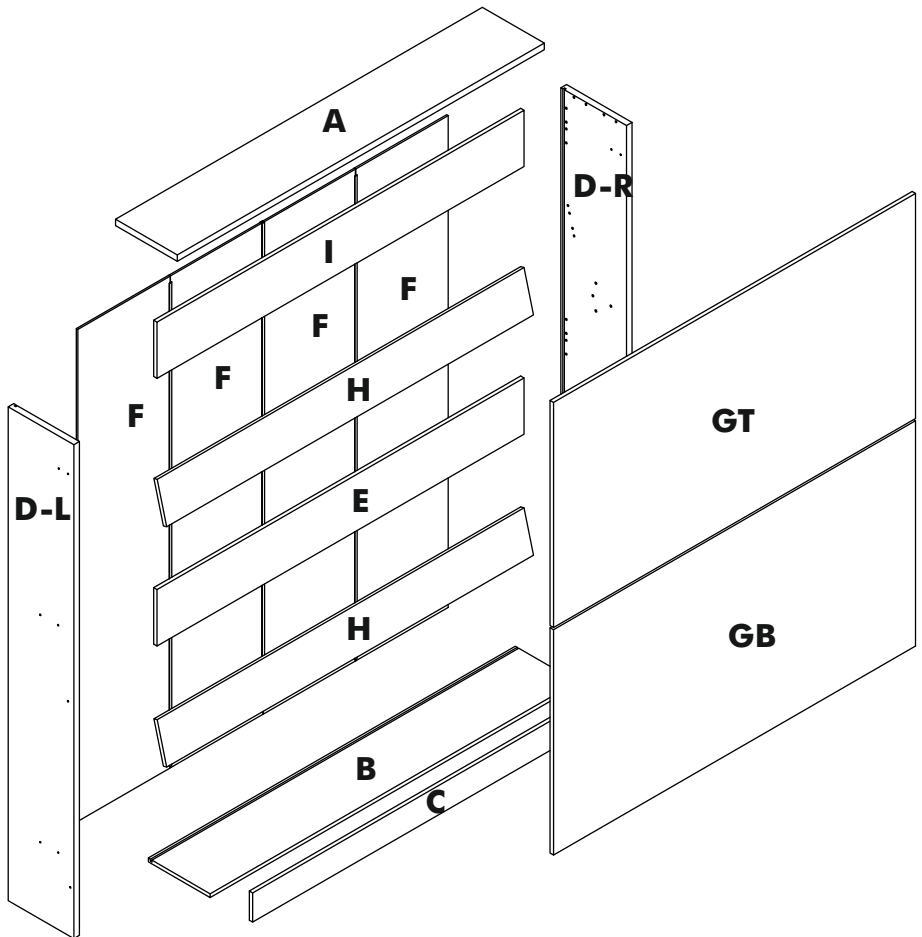
VIDEO



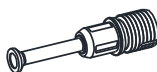

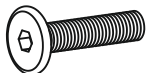

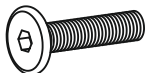
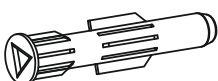


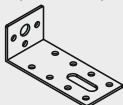
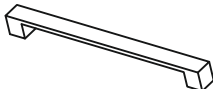
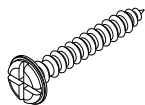
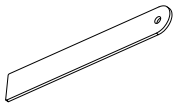

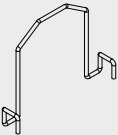
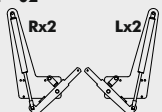
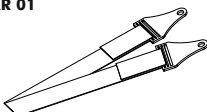

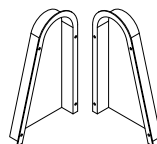
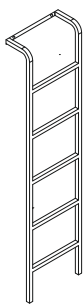
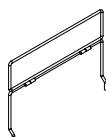
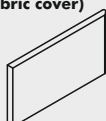

link

Assembly Instructions

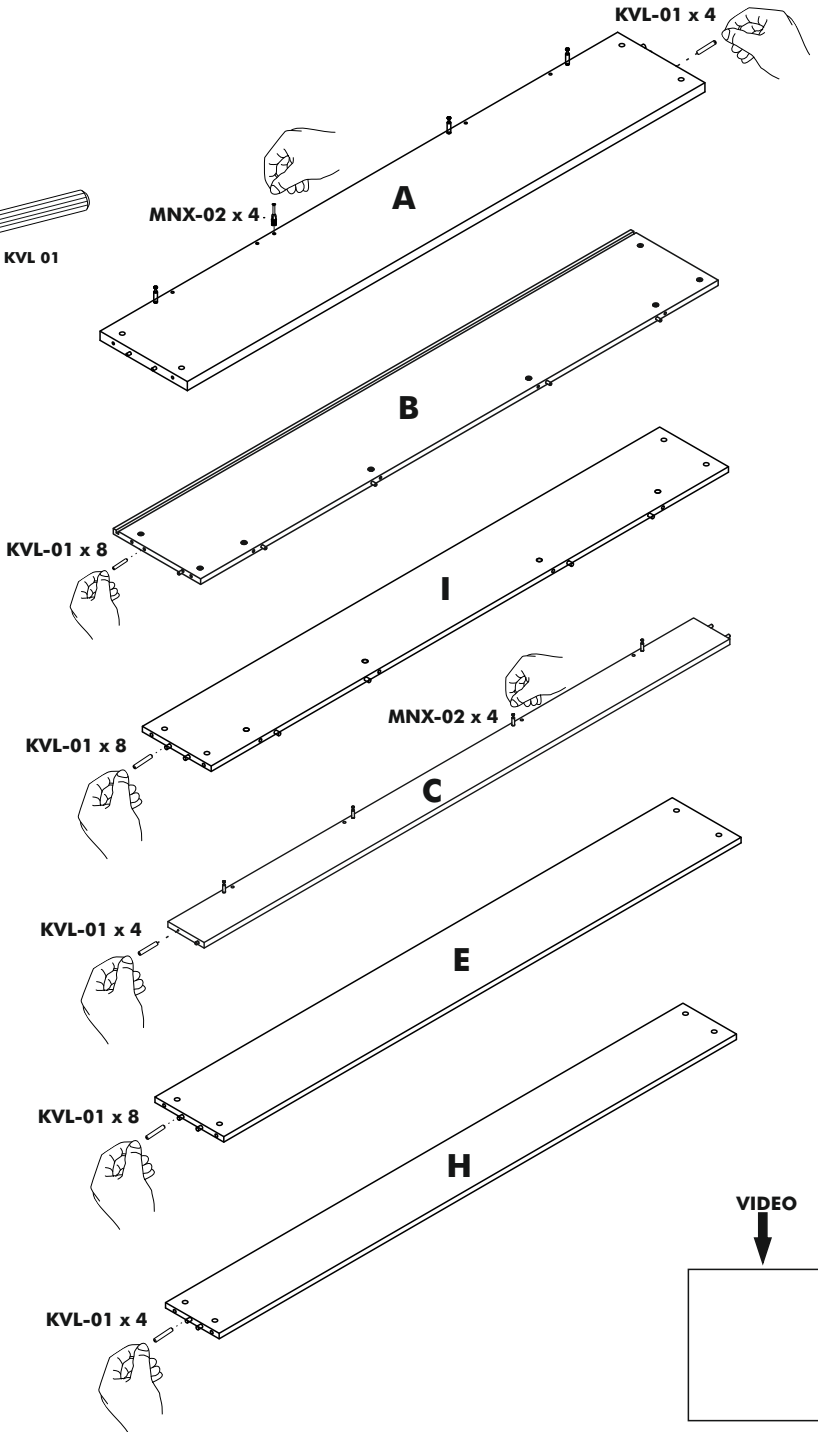
Track Title	Piece	(inch)			(mm)			
		Thickness	Length	Width	Piece	Thick	Height	Most
A	1	1,18	77,01	12,99	1	30	1956	330
B	1	0,71	77,01	12,99	1	18	1956	330
C	1	0,71	77,01	5,31	1	18	1956	135
D	2	1,18	89,76	13,78	2	30	2280	350
E	1	0,71	77,01	10,24	1	18	1956	260
F	4	0,31	89,41	19,37	4	8	2271	492
H	2	0,71	77,01	7,87	2	18	1956	200
I	1	0,71	77,01	10,24	1	18	1956	260
GT	1	0,71	40,94	75,98	1	18	1040	1930
GB	1	0,71	40,94	75,98	1	18	1040	1930



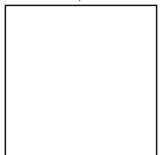
Accessories List

<p>MXN 02</p>  <p>32 / piece</p>	<p>MNG - 01</p>  <p>32 / piece</p>	<p>TAP - 01</p>  <p>32 / piece</p>	<p>KVL 01</p>  <p>36 / piece</p>
<p>IM - 01 (6x30) mm</p>  <p>8 / piece</p>	<p>CT - 02 (6x30) mm</p>  <p>2/ piece</p>	<p>VKP - 01 (22) mm</p>  <p>4 / piece</p>	<p>CT - 01 (6x40) mm</p>  <p>4/ piece</p>
<p>DD - 01 (R10)</p>  <p>3 / piece</p>	<p>TFC - 01(8x70) mm</p>  <p>3 / piece</p>	<p>PL - 02 (8x22x1) mm</p>  <p>3 / piece</p>	<p>DSE - 01 (40x90x32) mm</p>  <p>3 / piece</p>
<p>VTB - 01 (4,8x16) mm</p>  <p>12 / piece</p>	<p>KP - 01 (224) mm</p>  <p>2 / piece</p>	<p>OT-054</p>  <p>4 / piece</p>	<p>VD - 02 (3,5x25) mm</p>  <p>16 / piece</p>
<p>SC-61</p>  <p>2 / piece</p>	<p>AL - 01 (4MM)</p>  <p>1 / piece</p>	<p>AL - 02 (5MM)</p>  <p>1 / piece</p>	<p>TTC 01</p>  <p>8 / piece</p>
<p>MKZ - 02</p>  <p>4 / piece 350N</p>	<p>OT-006</p>  <p>2 / piece</p>	<p>AVT - 01</p>  <p>8 / piece</p>	<p>AKR 01</p>  <p>2 / piece</p>
<p>H 01</p>  <p>3 / piece</p>	<p>VTB - 02 (4,2x16) mm</p>  <p>16 / piece</p>	<p>KMT-01</p>  <p>2 / piece</p>	<p>KKS - 01</p>  <p>4 / piece</p>
<p>MRD 01</p>  <p>1 / piece</p>	<p>KOR 02</p>  <p>5 / piece</p>	<p>KLF 02 (fabric cover)</p>  <p>5 / piece</p>	<p>KBP - 01</p>  <p>10 / piece</p>
<p>YSB - 02 (4x20) mm</p>  <p>20 / piece</p>			

STEP 1



VIDEO

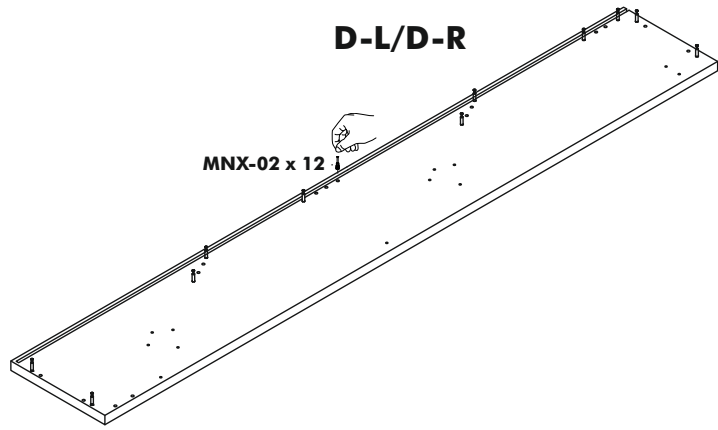


link

STEP 2



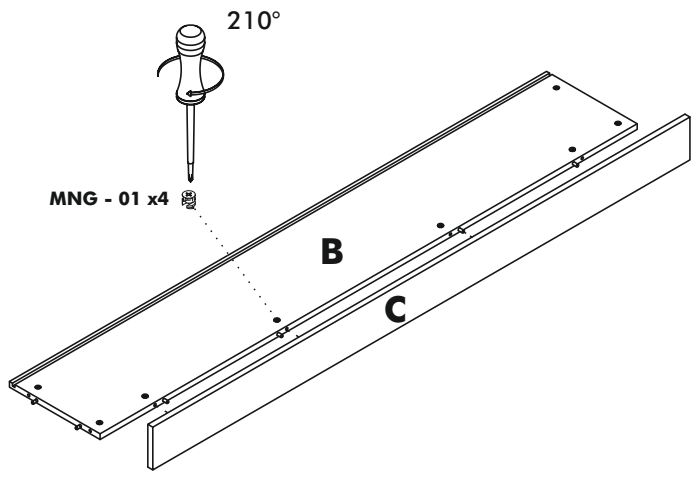
MNX - 02



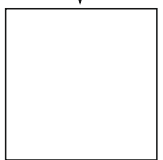
STEP 3



MNG - 01



VIDEO

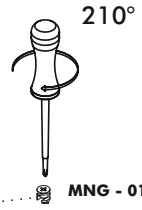
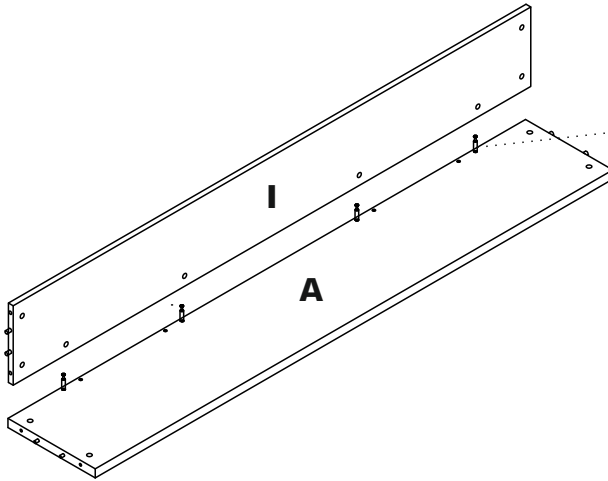


link

STEP 4



MNG - 01

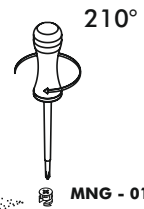
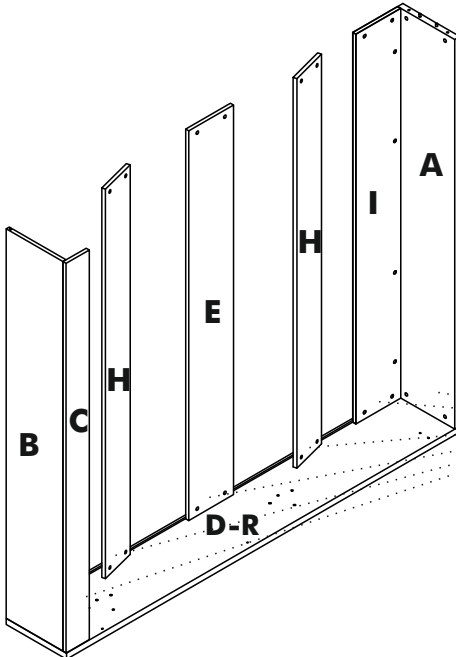


MNG - 01 x4

STEP 5

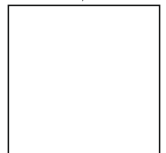


MNG - 01



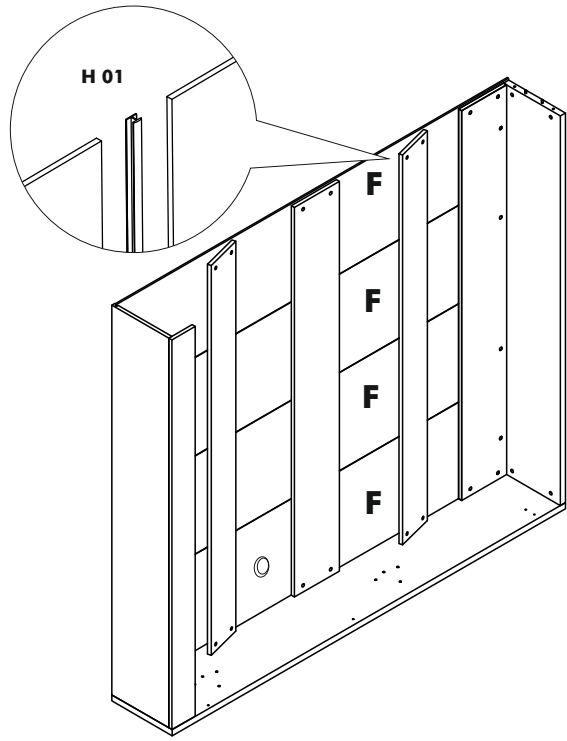
MNG - 01 x12

VIDEO

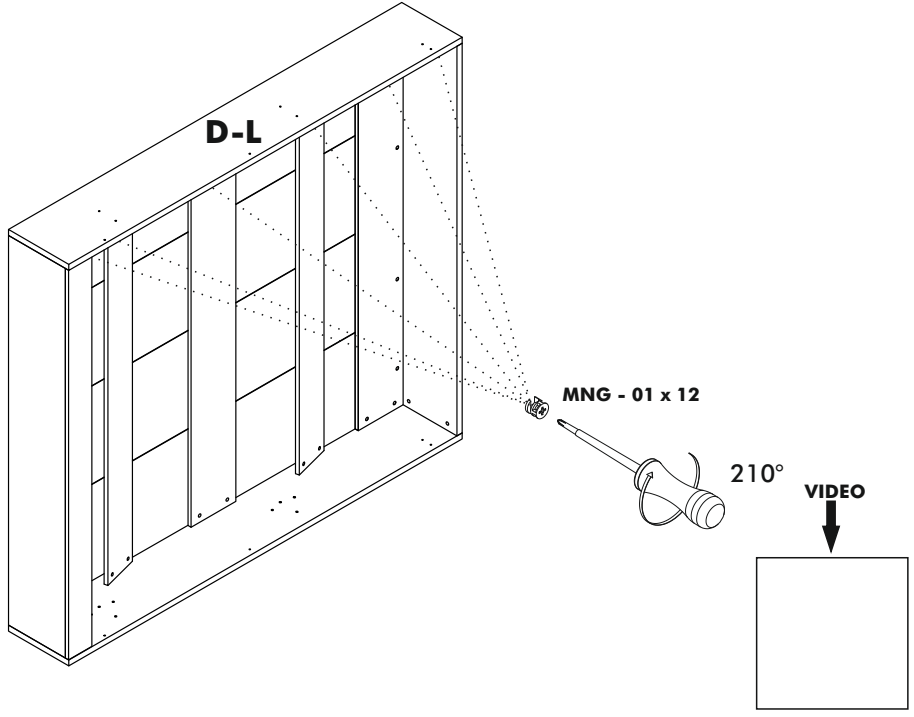


link

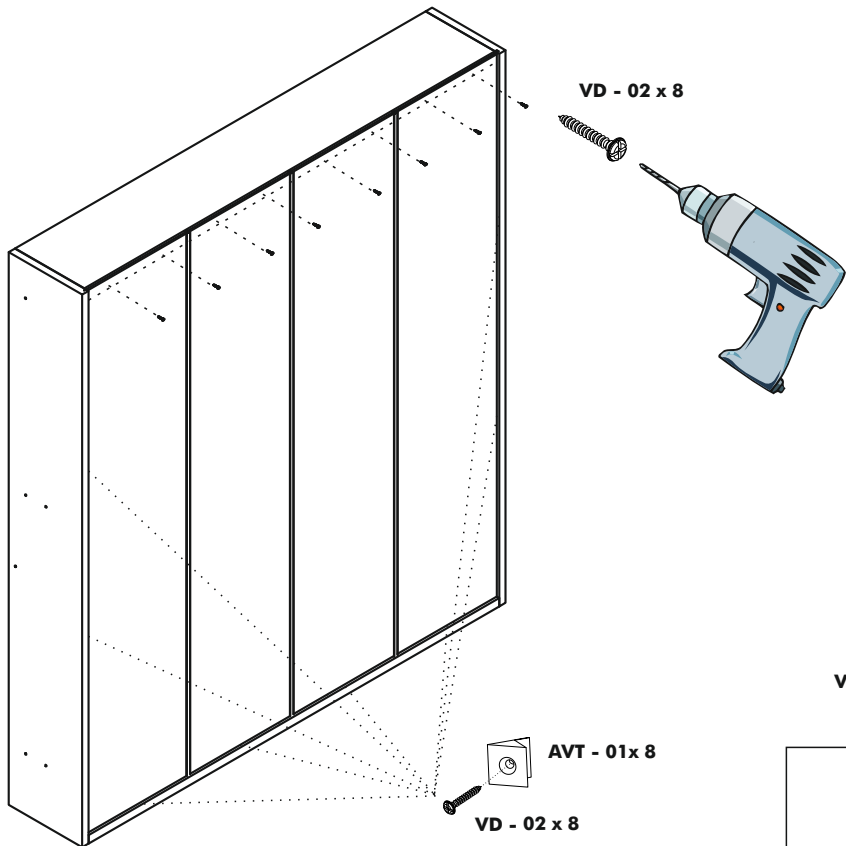
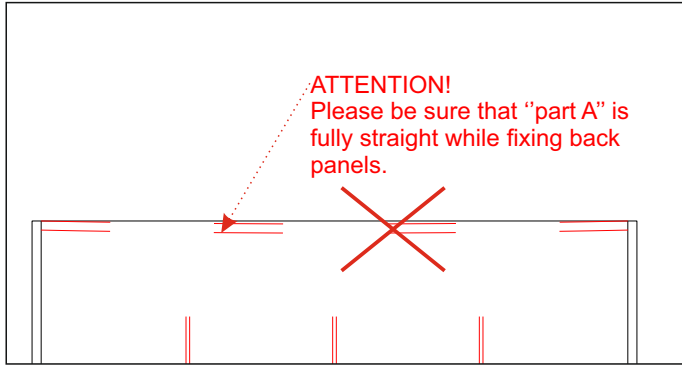
STEP 6



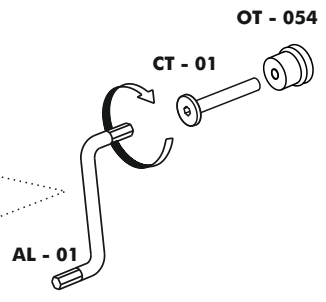
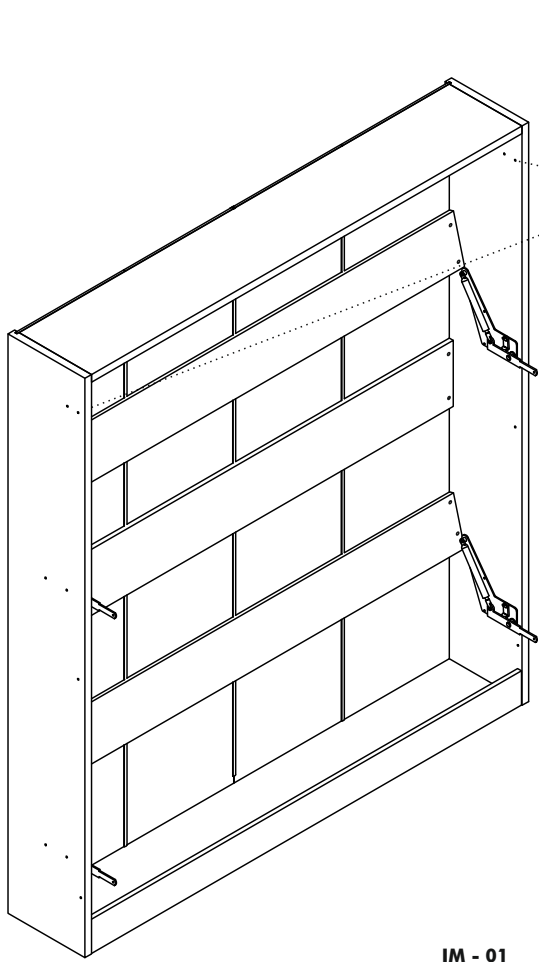
STEP 7



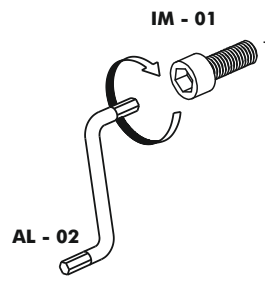
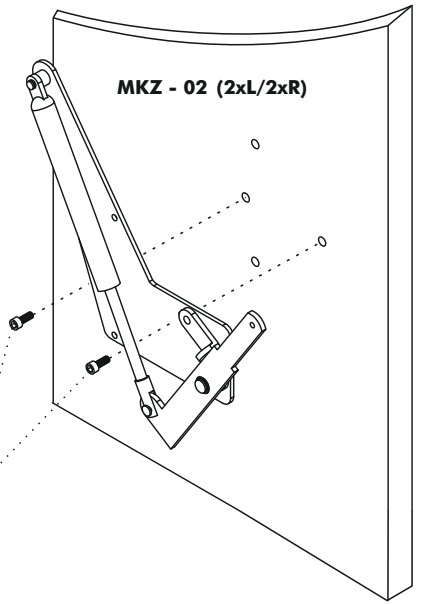
STEP 8



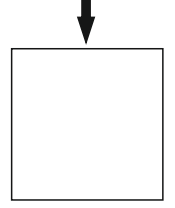
STEP 9



CAUTION
DO NOT UNLOCK
BEFORE INSTALL



VIDEO



link

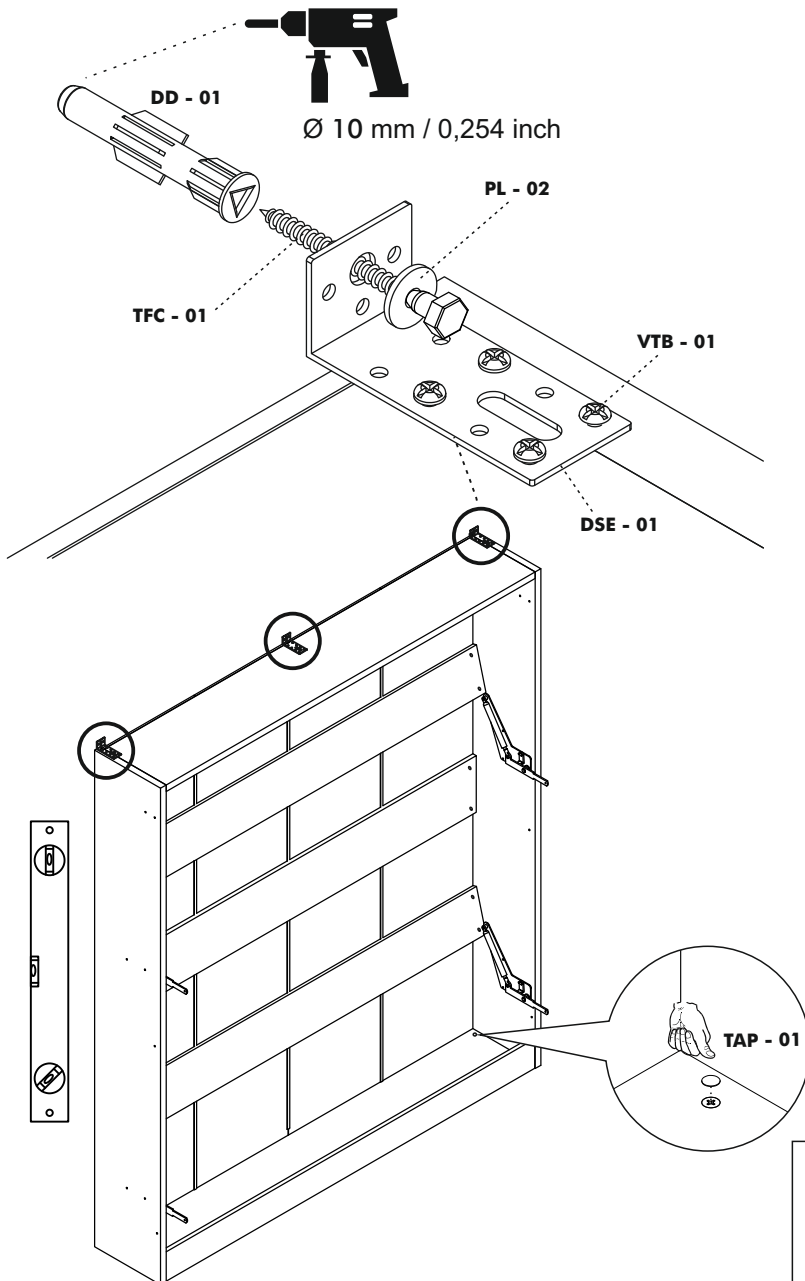


ATTENTION!!!

Must be secured to the wall made of brick, concrete or similarly strong material.
Mounting to wooden or metal studs is also acceptable.

Do not mount directly to sheetrock or paper-mache type walls not supported by studs.

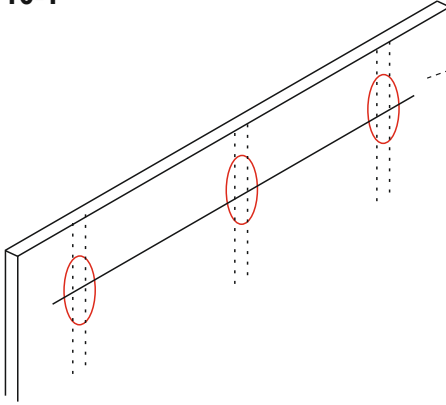
STEP 10



WALLS MADE OF DRYWALL WITH WOODEN OR METAL STUDS



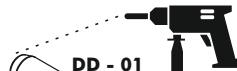
STEP 10-1



Ø 10 mm / 0,254 inc

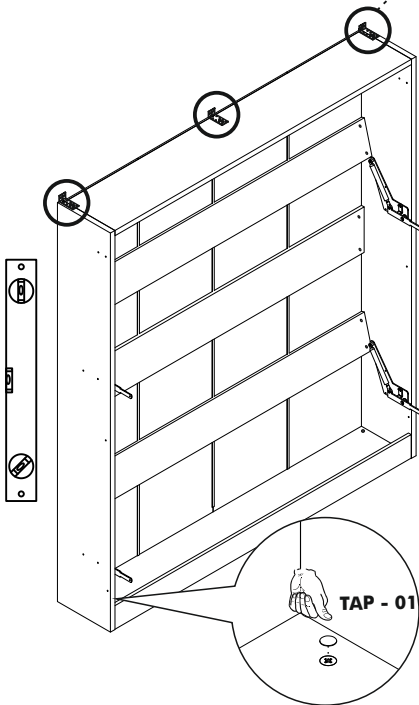


FIRST LOCATE THE STUDS BY USING "STUD FINDER" IN THE WALL AND DRILL IT ACCORDING TO THE HEIGHT MEASUREMENTS GIVEN ON THE SIDE. UPPER HOLES SHOULD BE DRILLED FOR ATTACHING BED AT NEXT STEP.



DD - 01

Ø 10 mm / 0,254 inch



TFC - 01

PL - 02

VTB - 01

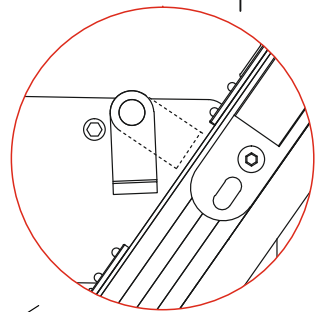
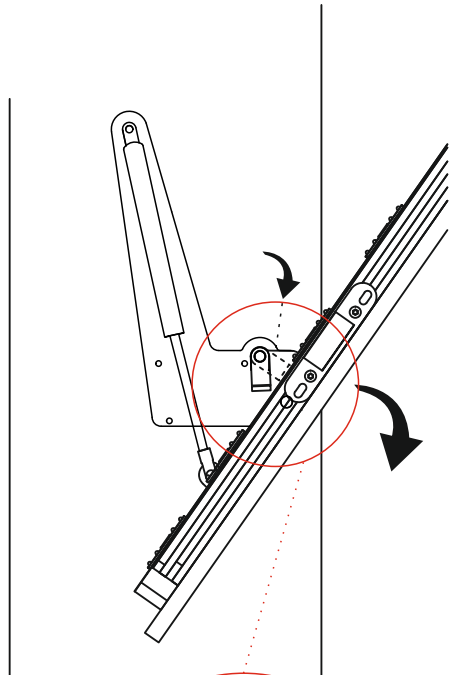
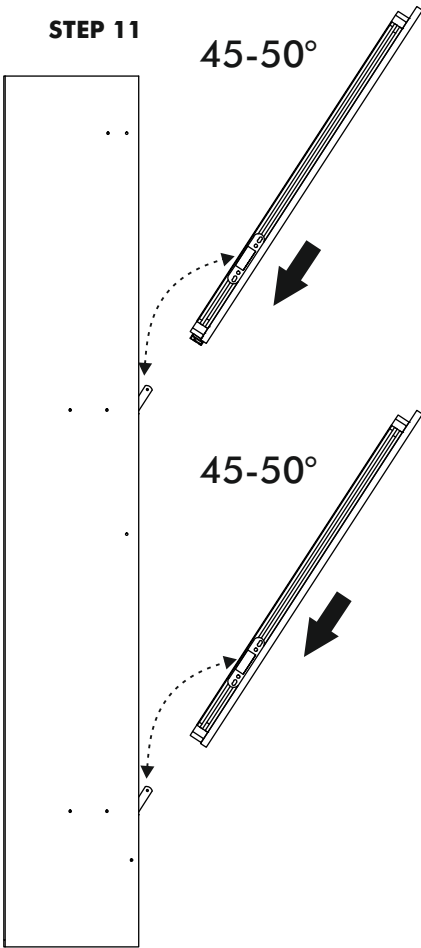
DSE - 01

NOT INCLUDED

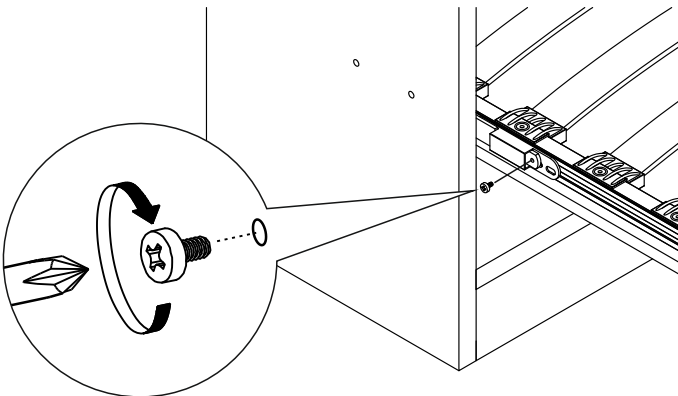
SUPPLY DRYWALL FASTENERS APPROPRIATE TO YOUR WALL TYPE. WE RECOMMEND USING STEEL TOGGLE BOLT ANCHOR THAT SHOWN BELOW



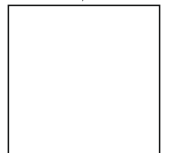
STEP 11



LET THE STOPPER LOCK MOVE DOWN !!!



VIDEO

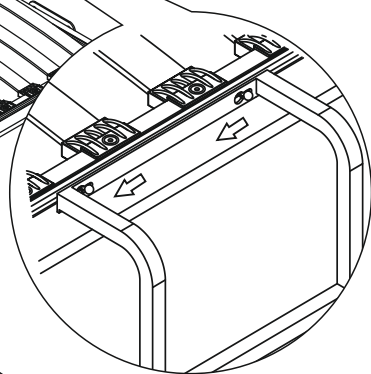
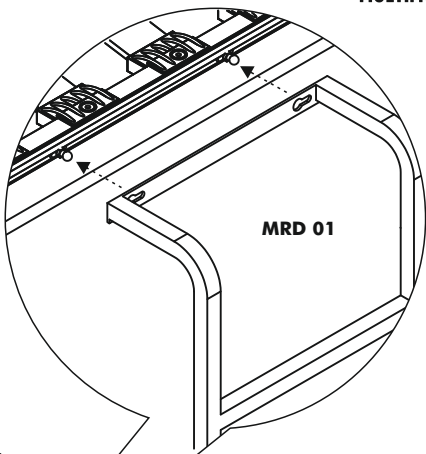
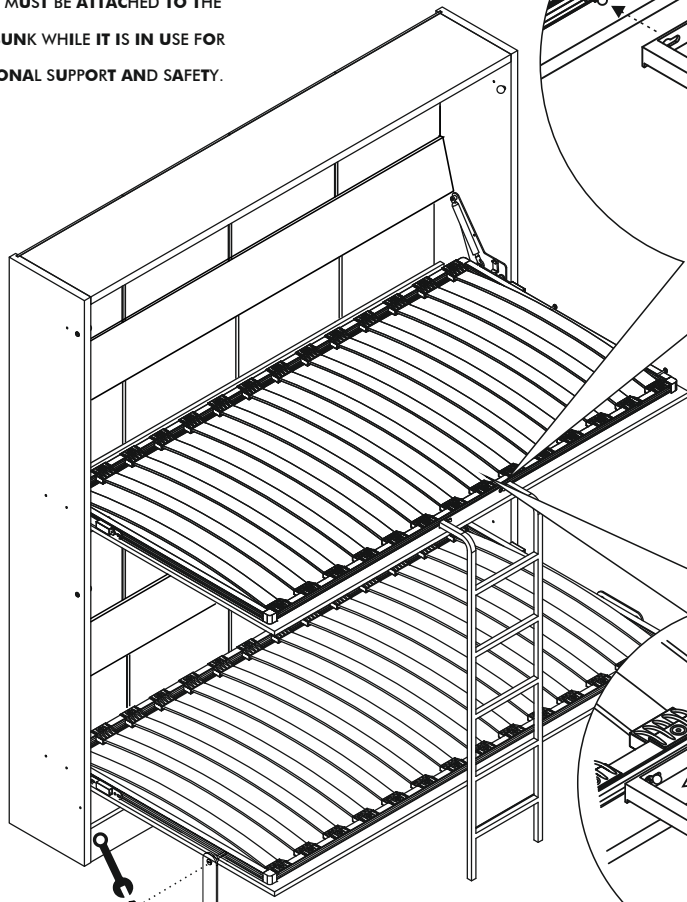


link

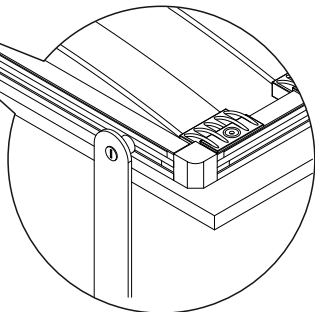
STEP 12

CAUTION !

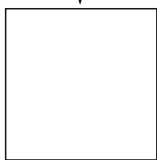
LADDER MUST BE ATTACHED TO THE
UPPER BUNK WHILE IT IS IN USE FOR
ADDITIONAL SUPPORT AND SAFETY.



SC-61

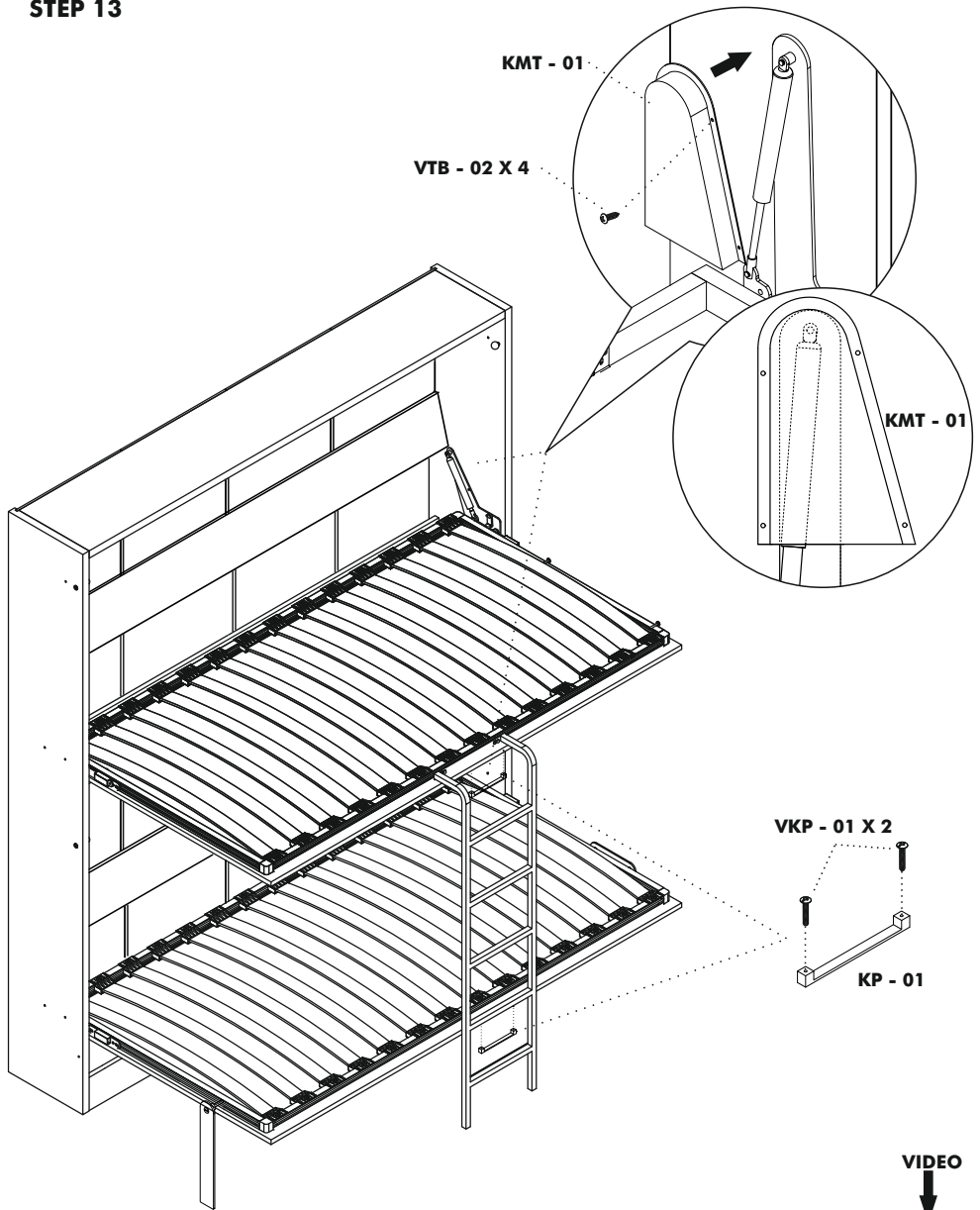


VIDEO

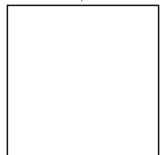


link

STEP 13

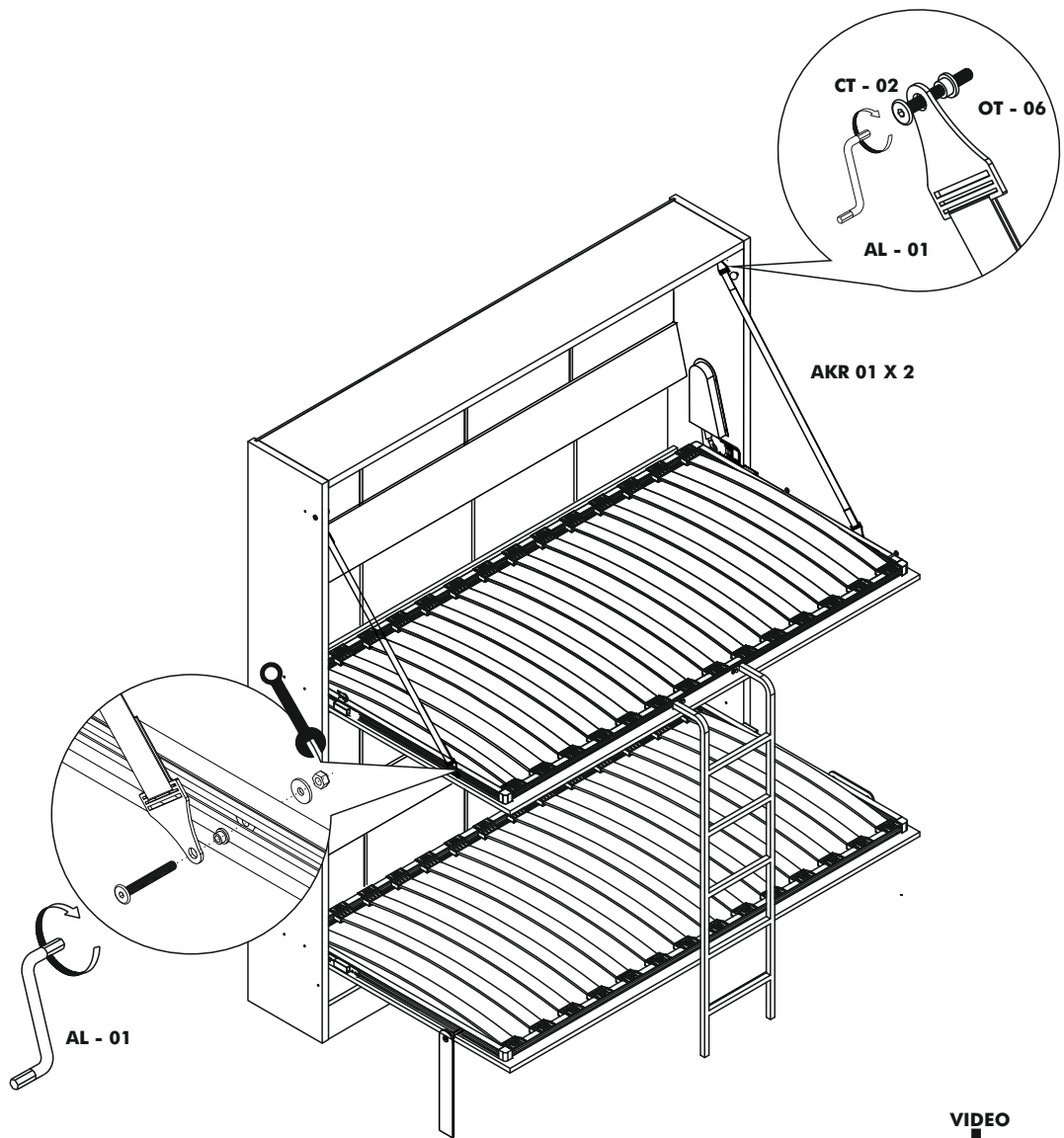


VIDEO

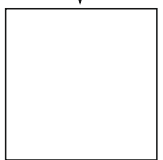


link

STEP 14

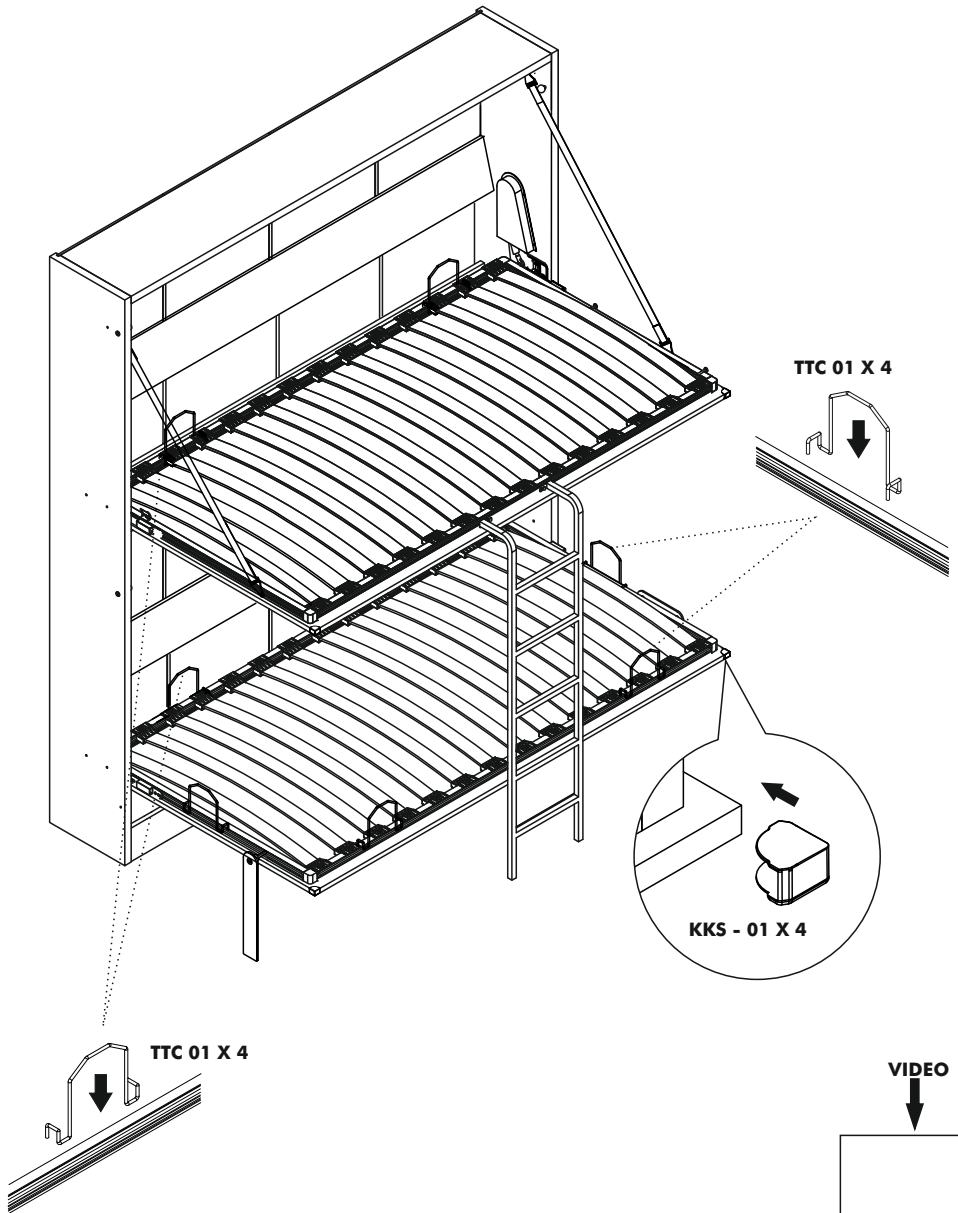


VIDEO

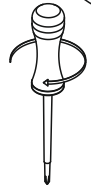
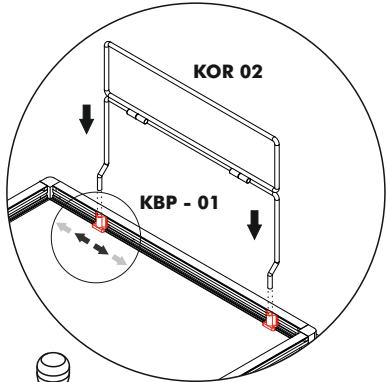
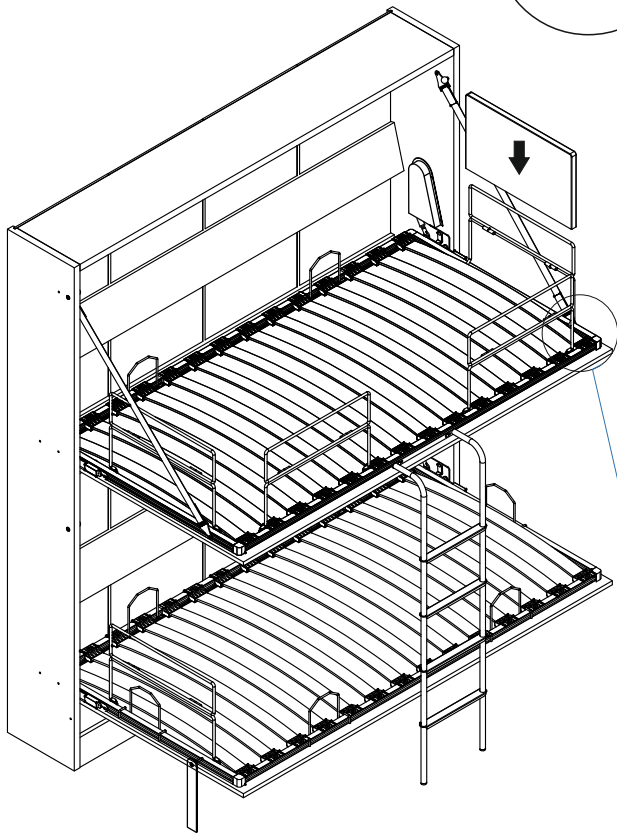
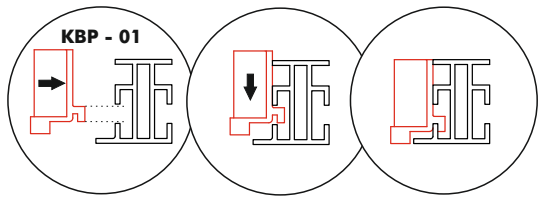


link

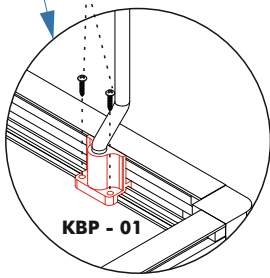
STEP 15



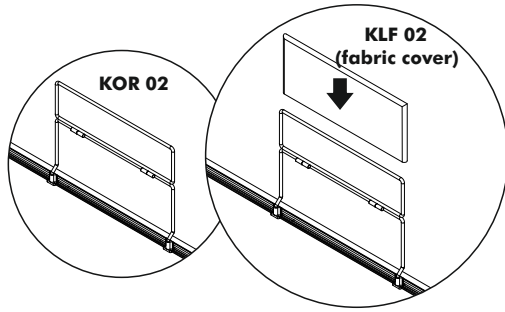
STEP 16



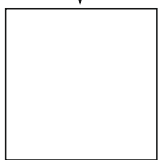
YSB - 02 X 2



CAUTION !
 MAKE SURE THAT HEADBOARDS
 AND GUARDRAILS ARE FOLDED
 BEFORE CLOSING THE BED



VIDEO



link

ATTENTION / HOW TO / READ ME / OWNER'S GUIDE

1. Most bunk beds must be securely attached to the wall, unless the bed is free standing. Please check the product description for this information. Hardware for mounting to concrete, brick or similar strong material is included.
2. When mounting to drywall, wall bunk beds must be attached to wooden or metal studs in 2 or 3 points. Do not mount wall bunk beds directly to drywall or paper-mache type wall without properly attaching it to studs. Please choose appropriate fasteners for the type of wall the bed will be mounted on. Drywall mounting hardware is not included.
3. For safety and product longevity you must periodically inspect the integrity and tightness of the mounting and mechanical connections. Confirm hardware remains properly affixed and connections are snug.
4. Do not lean or rest heavy objects on sides or top of furniture. This may cause balance issues and compromise the integrity of your mounting connections.
5. Please use wall bunk beds and integrated shelves, desks and sofas as intended. Do not jump and/or exceed supported weight limits. Do not sit or lean on integrated shelves and desks. Improper use may cause personal injury and damage to property.
 - Always use the provided ladder when accessing the top bunk.
 - Always use a ladder for additional support for the upper bunk when it is open.
 - Be slow, careful and aware of surroundings when opening the top bunk.
 - Do not horseplay. Beds are to be slept on only.
 - Make sure that support legs are fully extended and are flat on the floor. Always be aware of where the leg is and will be.
6. With seasonal humidity change please inspect the interior and exterior of the furniture for deformation and/or discoloration.
7. Before any un-mounting or disassembly please contact Multimo Beds for technical support and instructions. Failure to properly detach may result in personal injury and damage to property.



WARNINGS

IMPORTANT! HAZARD WARNING!

All Wall Beds contain sophisticated and powerful lifting mechanism. Failure to follow assembly and installation instructions may result in **severe personal injury and damage of the product.**

SECURE RIGIDLY TO A WALL!

Improper attaching wall bed to a wall will create a tip-over hazard and may result in severe personal injury or even death.
ONLY qualified installers should install or remove a wall bed.



WARNINGS

To help prevent serious or fatal injuries due to entrapment or falls

- Never allow a child under 6 on upper bunk.
- Use only Twin/Twin XL size mattress on upper bunk.
- Ensure mattress thickness doesn't exceed 6", and that mattress surface at least 5" below upper edge of guard rails



WARRANTY

RETAIL RESIDENTIAL TERM

Lifetime guarantee on hardware.
5 year structural guarantee on cabinetry.

COMMERCIAL TERM

Lifetime guarantee on hardware.
2 year structural guarantee on cabinetry.



www.multimobeds.com