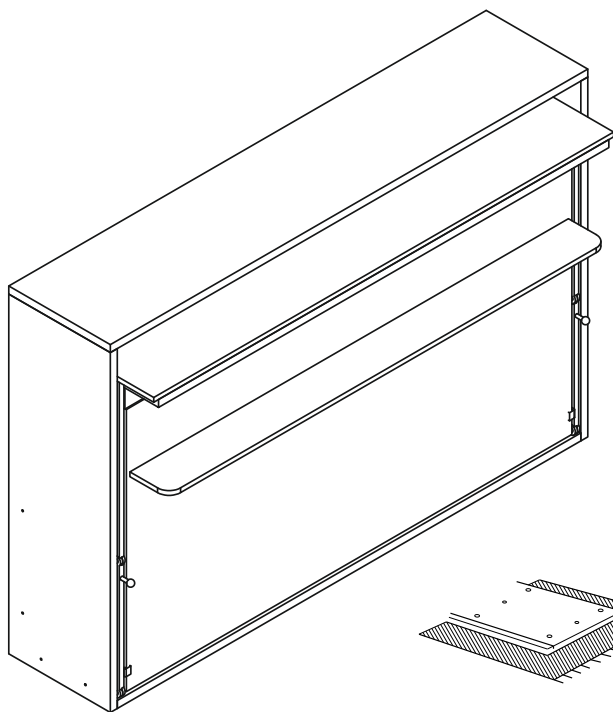


MULTIMO

A 200 GENIO



30 min.



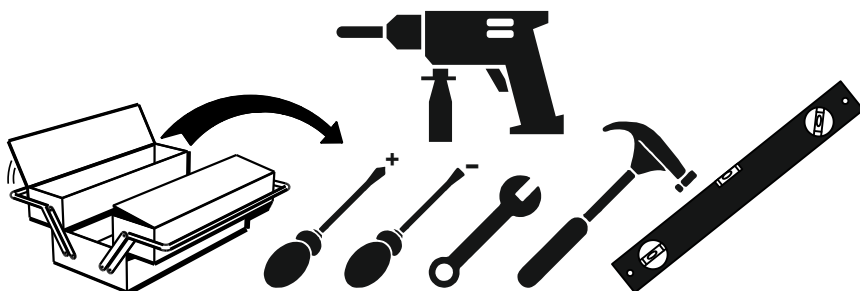
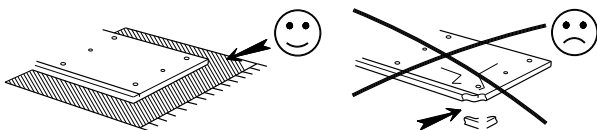
Technical Service



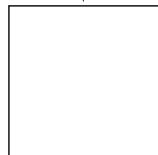
60 min.



End User



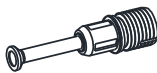

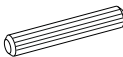
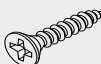
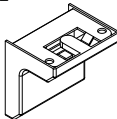
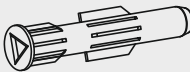

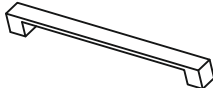

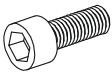
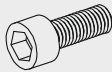
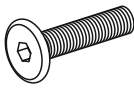

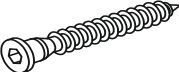
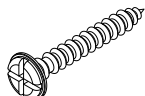
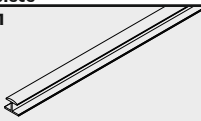


VIDEO

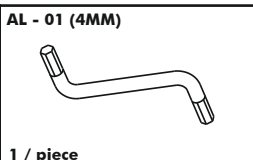
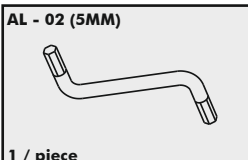
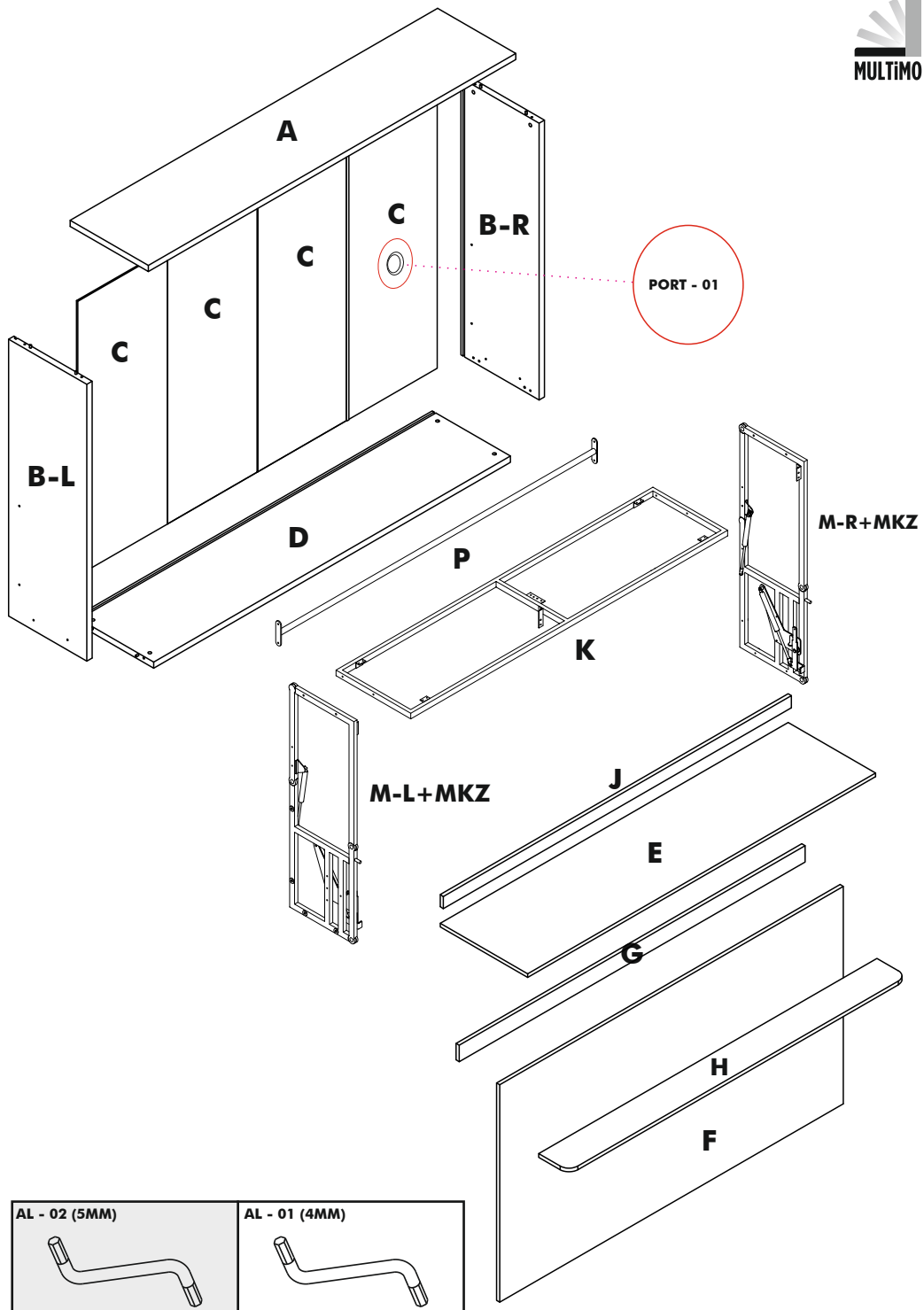


link

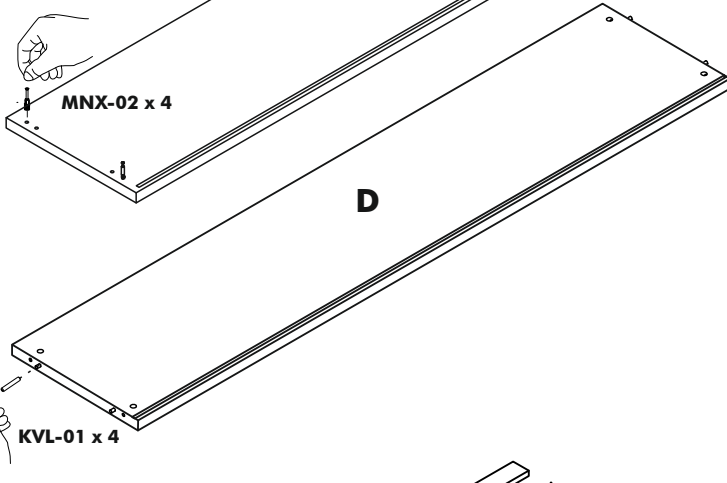
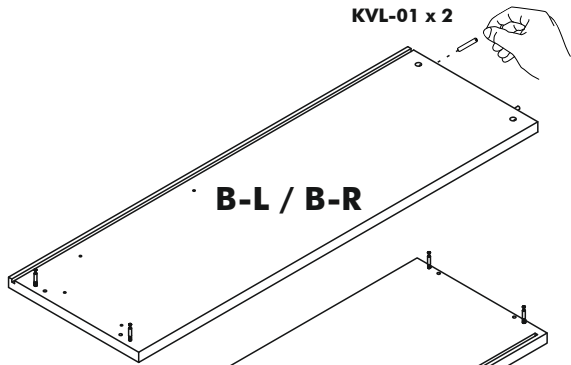
Track Title	Piece	(inch)			(mm)			
		Thickness	Length	Width	Piece	Thick	Height	Most
A	1	1,18	81,50	17,32	1	30	2070	440
B	2	1,18	53,15	17,32	2	30	1350	440
C	4	0,31	52,68	19,88	4	8	1338	505
D	1	1,18	79,06	17,32	1	30	2008	440
E	1	0,71	78,43	19,69	1	18	1992	500
F	1	0,71	41,65	76,38	1	18	1058	1940
G	1	0,71	76,97	3,15	1	18	1955	80
H	1	0,71	74,80	6,69	1	18	1900	170
J	1	0,71	78,43	2,36	1	18	1992	60

Accessories List

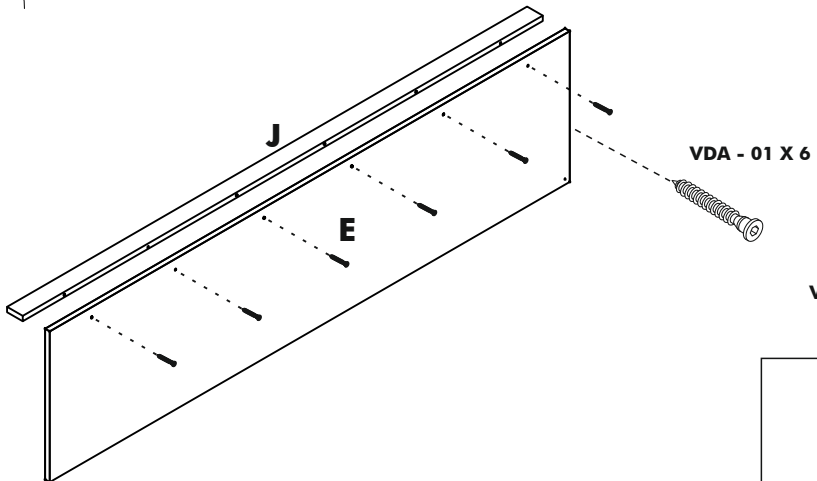
MXN 02  8 / piece VD - 03 (3,5x18) mm	MNG - 01  8 / piece DSE - 02	KVL 01  8 / piece DD - 01 (R10)	TAP - 01  8 / piece VD - 01(6X70) mm
 6 / piece KP - 01 (224) mm	 3 / piece VTB - 01 (4,8x16) mm	 3 / piece VKP - 01 (22) mm	 3 / piece IM - 02 (6x20) mm
 1 / piece IM - 03 (6x40) mm	 15 / piece CT - 03 (6x50) mm	 2 / piece TTC 01	 4 / piece VDA - 01 (6,5x50) mm
 4 / piece VD - 02 (3,5x25) mm	 8 / piece AVT - 01	 3 / piece KLF 01 (fabric cover)	 12 / piece KOR 01
 8 / piece H 01	 8 / piece ADP - 01	 1 / piece PORT - 01	 1 / piece LED - 01
 3 / piece	 1 / piece	 1 / piece	 1 / piece



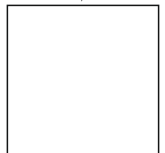
STEP 1



STEP 2

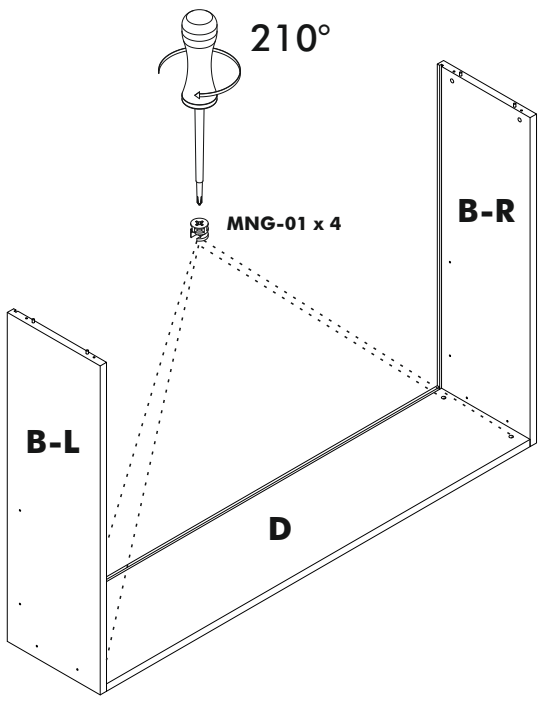


VIDEO

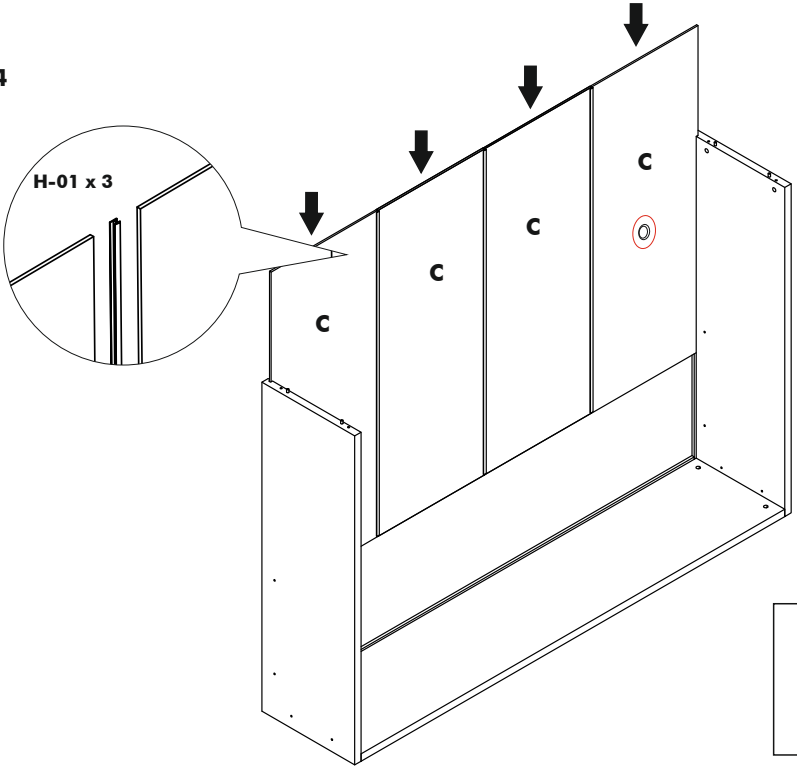


link

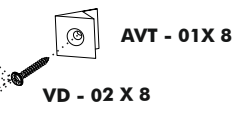
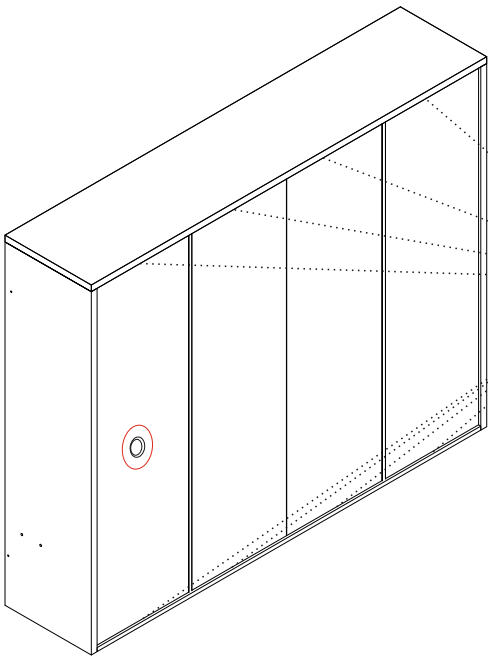
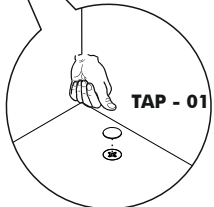
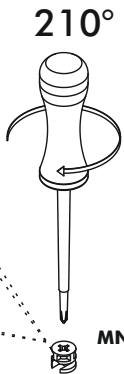
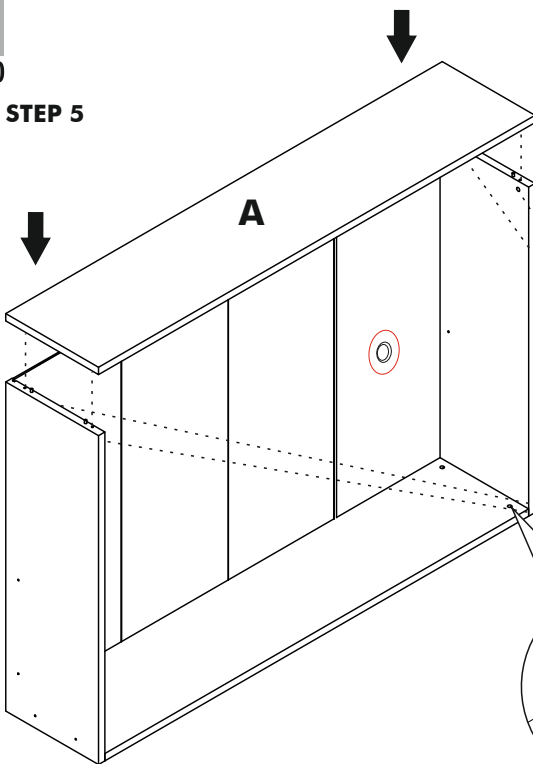
STEP 3



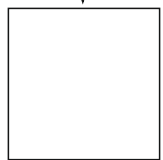
STEP 4



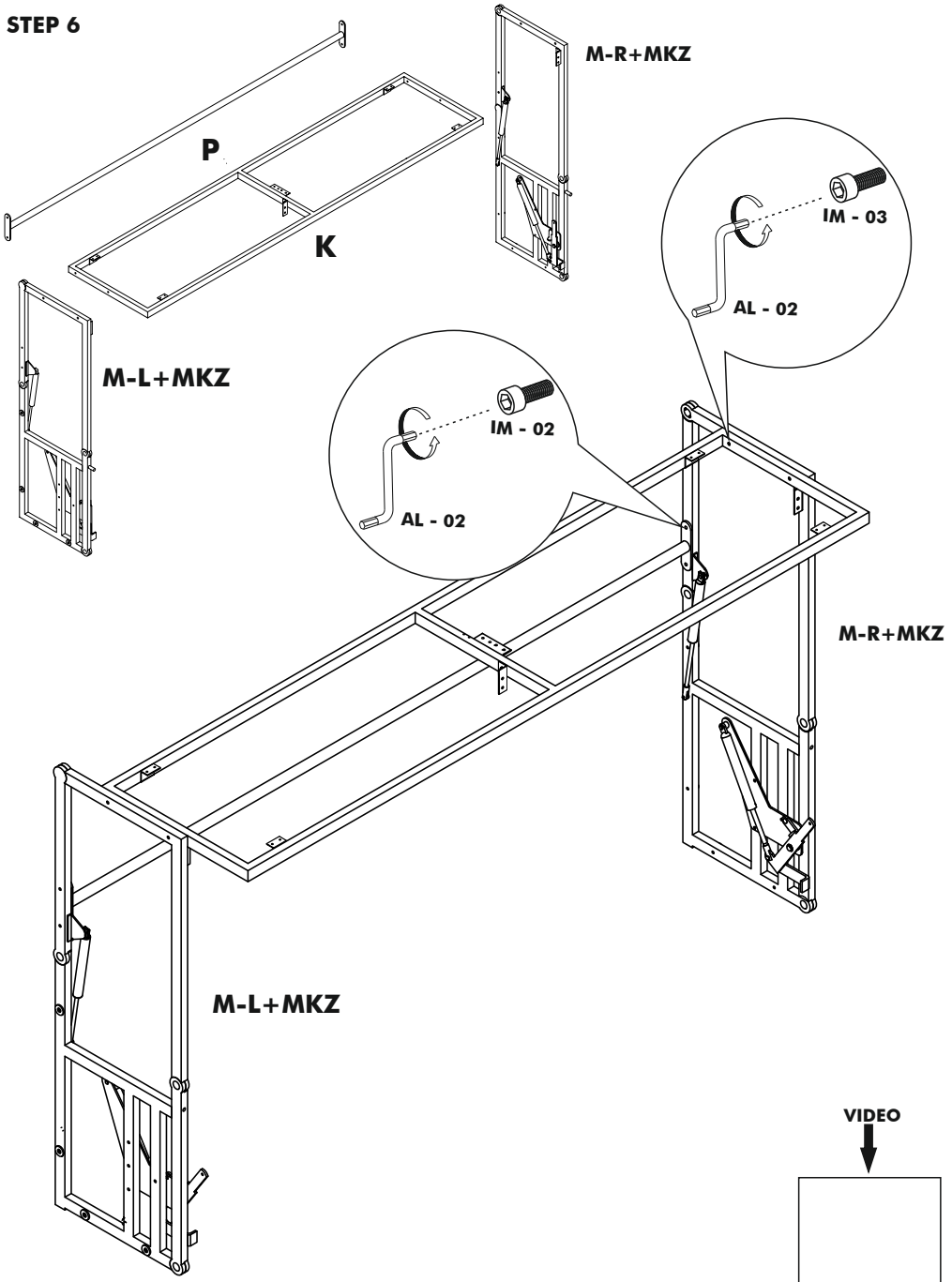
STEP 5



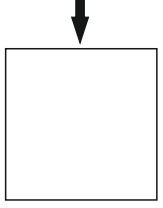
VIDEO



STEP 6

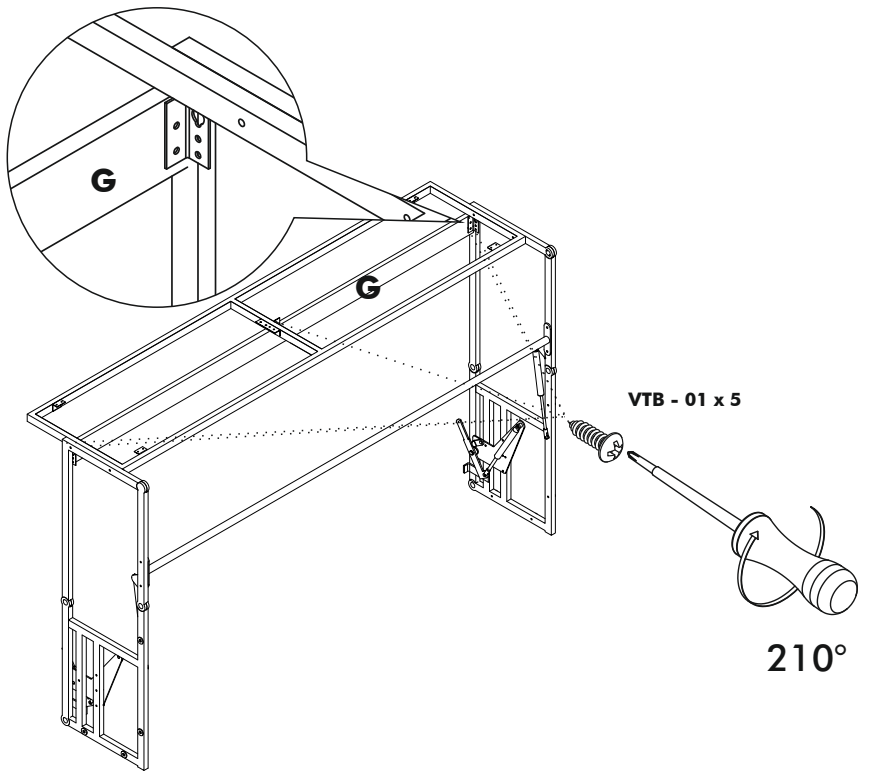


VIDEO

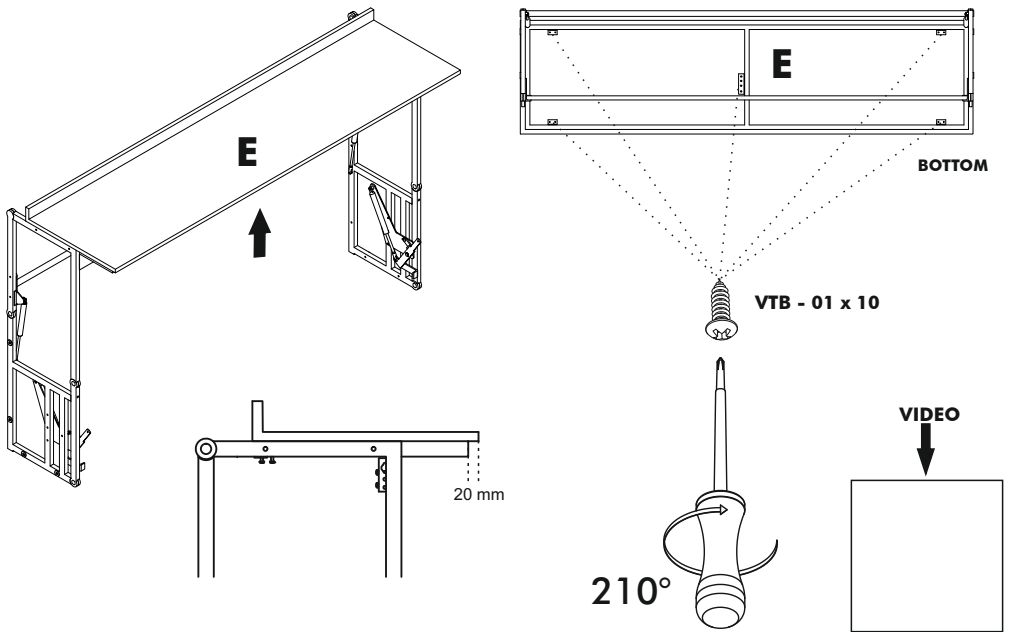


link

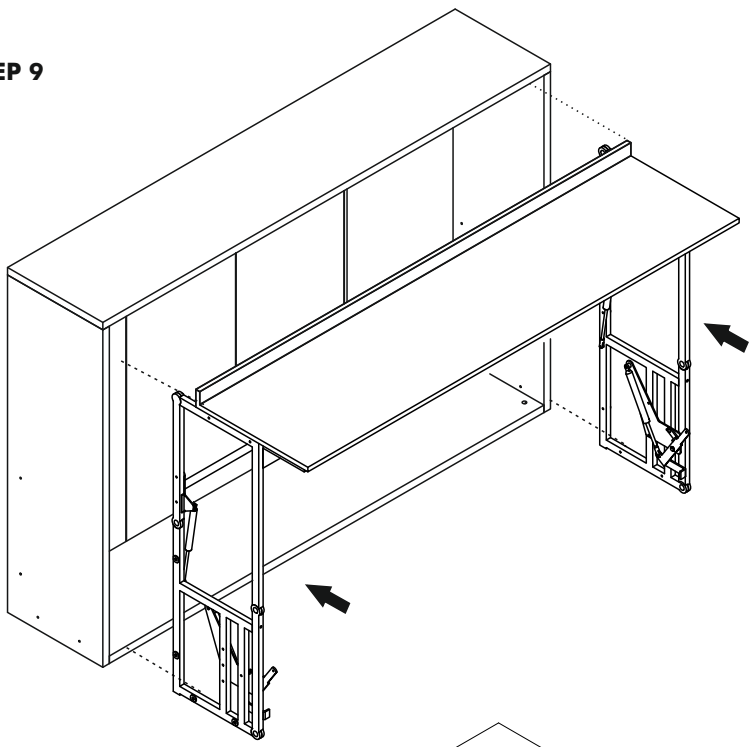
STEP 7



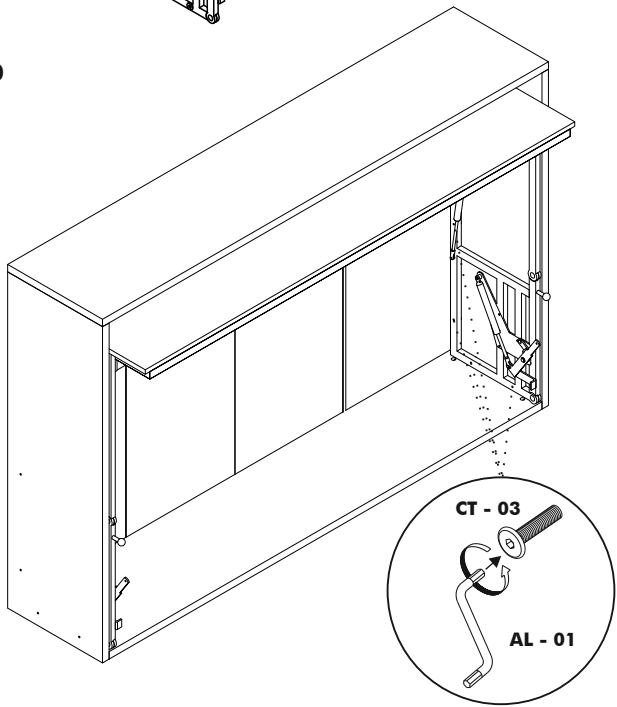
STEP 8



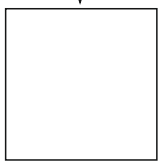
STEP 9



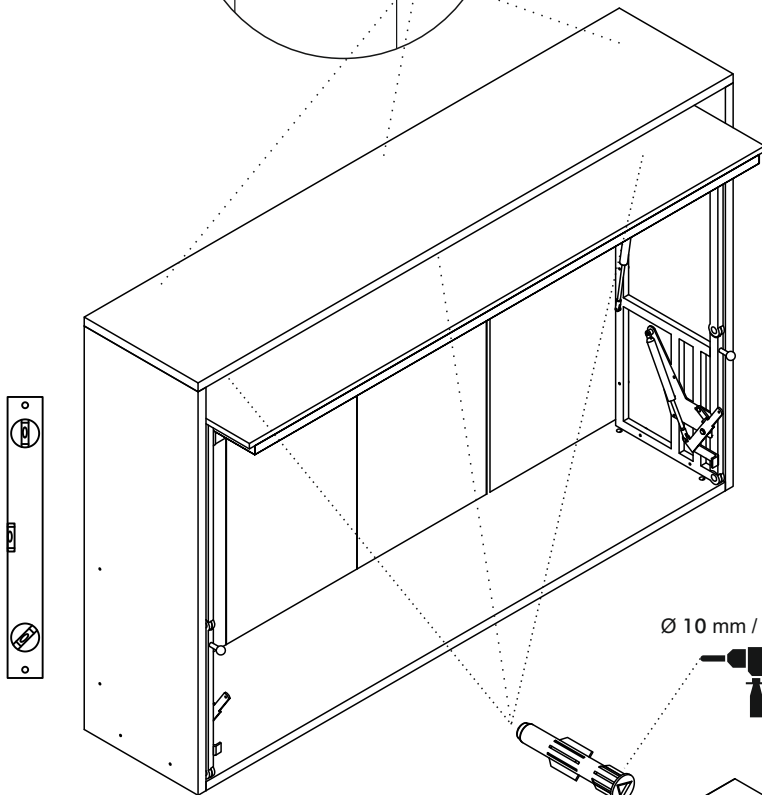
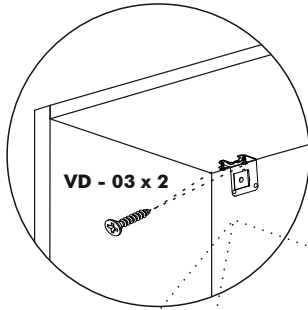
STEP 10



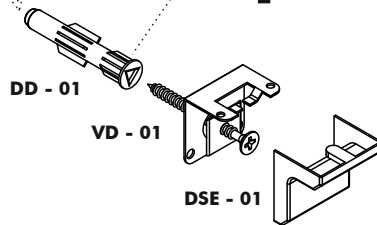
VIDEO



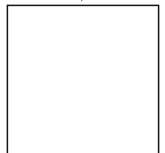
STEP 11



Ø 10 mm / 0,254 inch



VIDEO



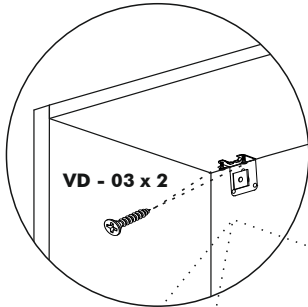
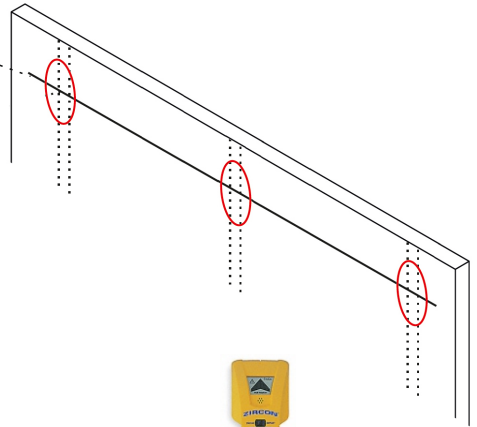
link

WALLS MADE OF DRYWALL WITH WOODEN OR METAL STUDS

STEP 11-1



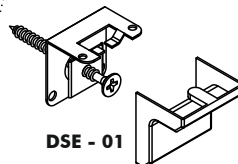
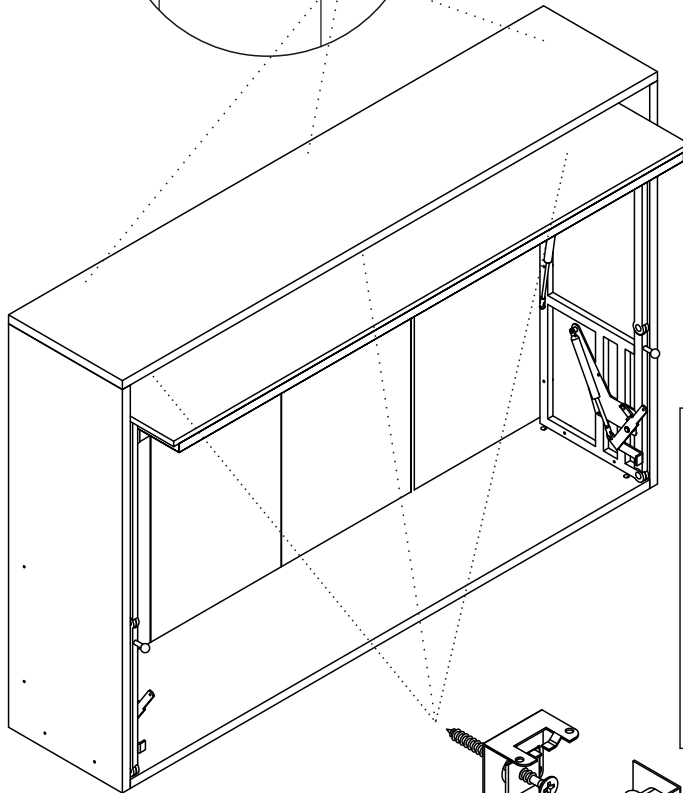
Ø 10 mm / 0,254 inc



FIRST LOCATE THE STUDS BY USING "STUD FINDER" IN THE WALL AND DRILL IT ACCORDING TO THE HEIGHT MEASUREMENTS GIVEN ON THE SIDE. UPPER HOLES SHOULD BE DRILLED FOR ATTACHING BED AT NEXT STEP.

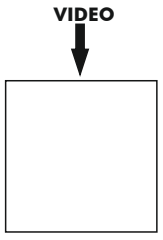
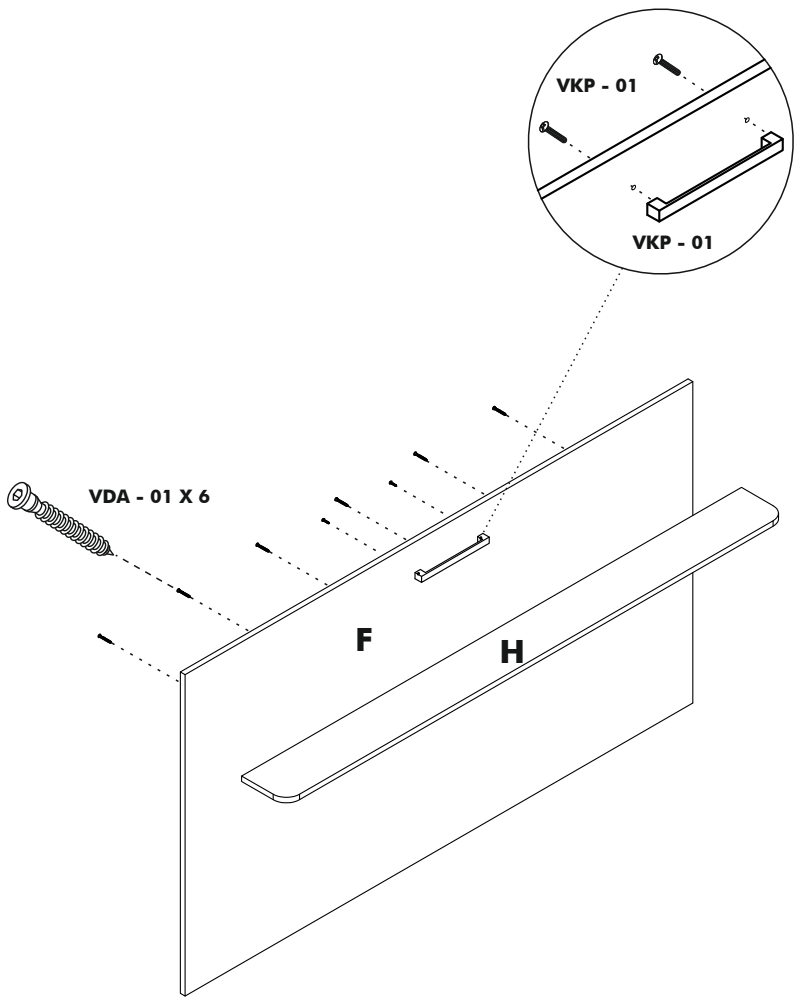
NOT INCLUDED

SUPPLY DRYWALL FASTENERS APPROPRIATE TO YOUR WALL TYPE. WE RECOMMEND USING STEEL TOGGLE BOLT ANCHOR THAT SHOWN BELOW

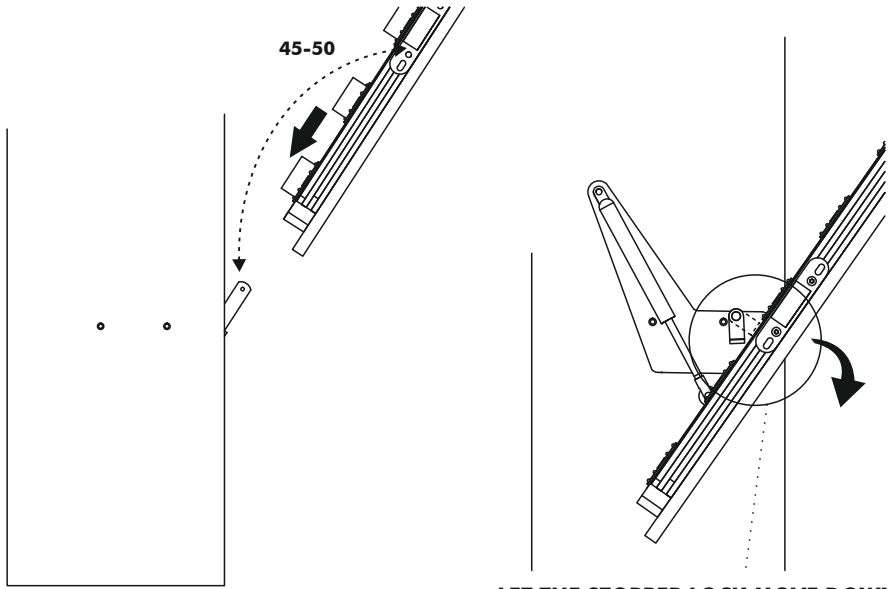


WARNING:
Do not mount furniture on to paper-mache or sheetrock like material properly it to stud.

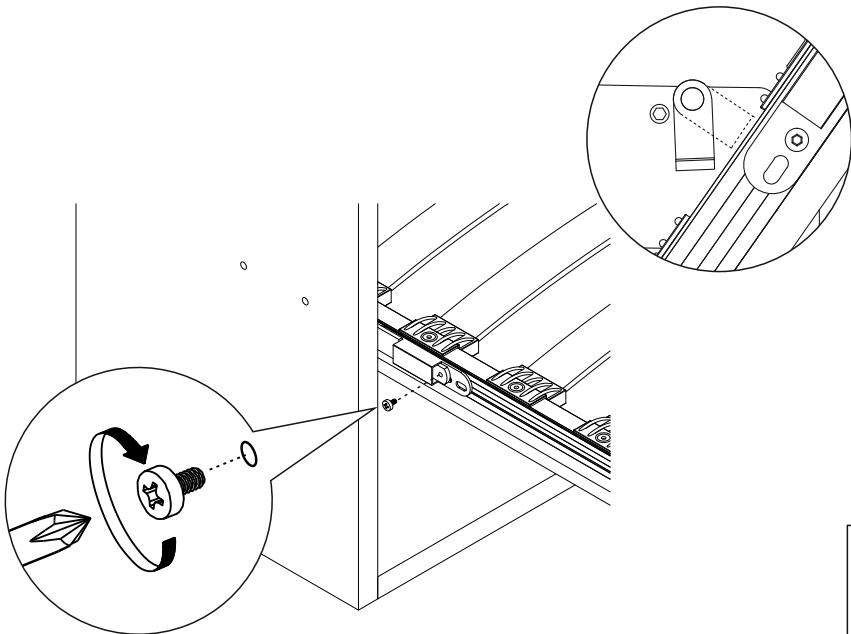
STEP 12



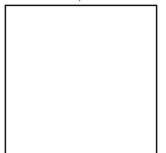
STEP 13



LET THE STOPPER LOCK MOVE DOWN !!!

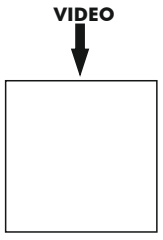
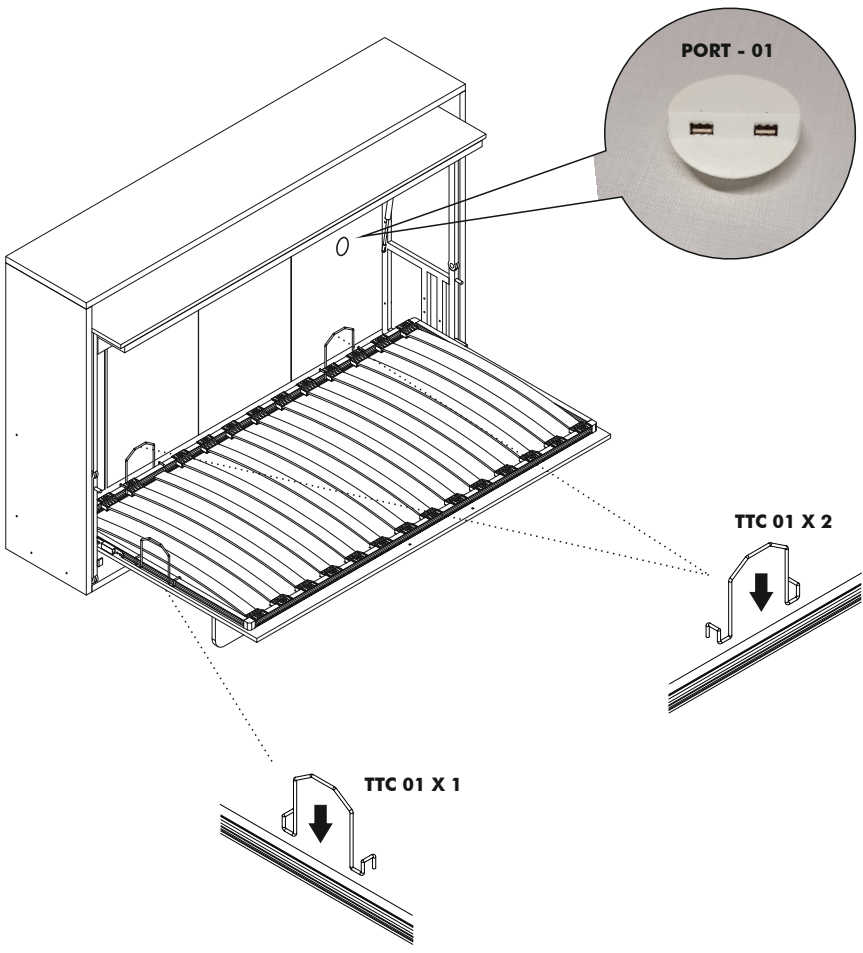


VIDEO

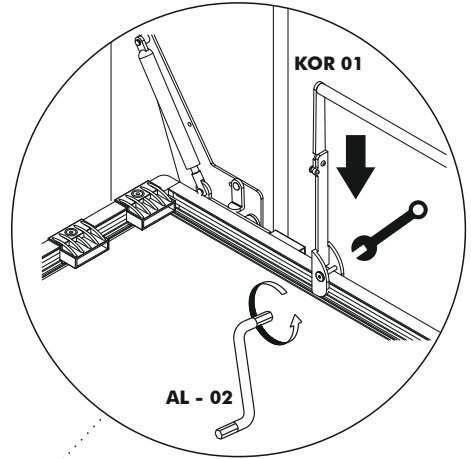
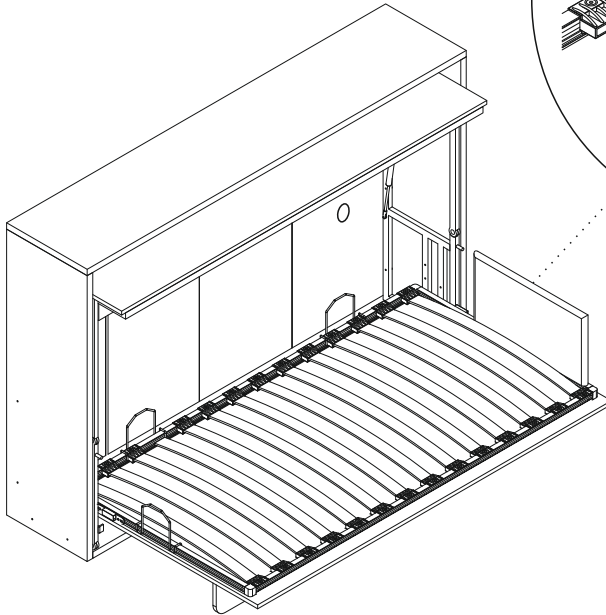


link

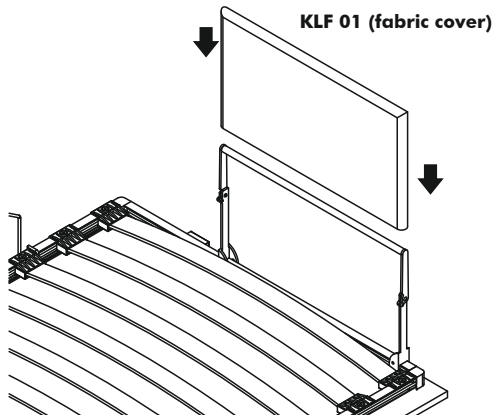
STEP 14



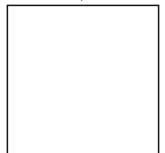
STEP 15



CAUTION
BE SURE THE HEADBOARD IS IN
CLOSED POSITION
WHEN BED BOX IS CLOSED



VIDEO
↓



link

ATTENTION / HOW TO / READ ME / OWNER'S GUIDE

1. When mounting on a regular drywall, furniture must be fastened to wood or metal studs. Solid walls made of brick, concrete or similar strong material are also acceptable. Do not mount furniture to paper-mache or sheet rock like material without properly attaching to stud.
2. For safety and product longevity you must periodically inspect the mounting and mechanical connections for integrity and tightness. Confirm hardware remains properly affixed and connections snug.
3. Wall Bed mattress thickness may not exceed 8 inch. Take care to remove pillows and excess blankets before closing. Doing so keeps mechanism free of obstruction and unnecessary stress.
4. Do not lean or rest heavy objects on side or top of furniture. This may cause balance issues and compromise the integrity of your mounting connections.
5. Please use the furniture's beds, desks and shelving as intended. Not designed to be sat, stood, leaned, jumped (etc) on. Improper use may cause personal injury and damage to property.
6. With seasonal humidity change you must inspect interior and exterior of furniture.
7. Single, Twin, Twin XL beds accommodate the weight of one person. Improperly sleeping more than one person risks injury to person and damage to property.
8. Before any un-mounting or disassembly please contact Multimo for technical support and instruction. Failure to properly detach risks injury to person and damage to property.
9. For Bunk Beds:
 - a. Always use provided ladder when accessing top bunk.
 - b. Be slow, careful and aware of surroundings when opening top bunk.
 - c. Do not horseplay. Beds are to be slept on only.
 - d. Some have legs that fully extend when open- be aware of where the leg is and will be.



MULTiMO

www.multimobeds.com