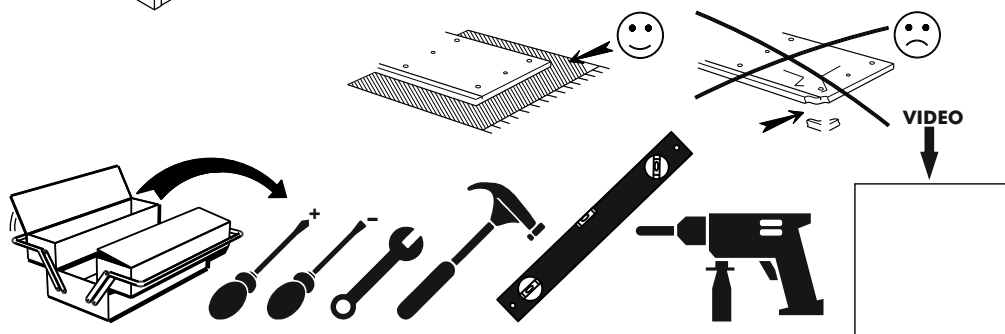
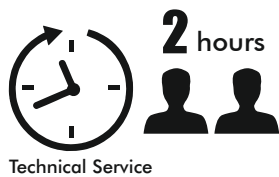
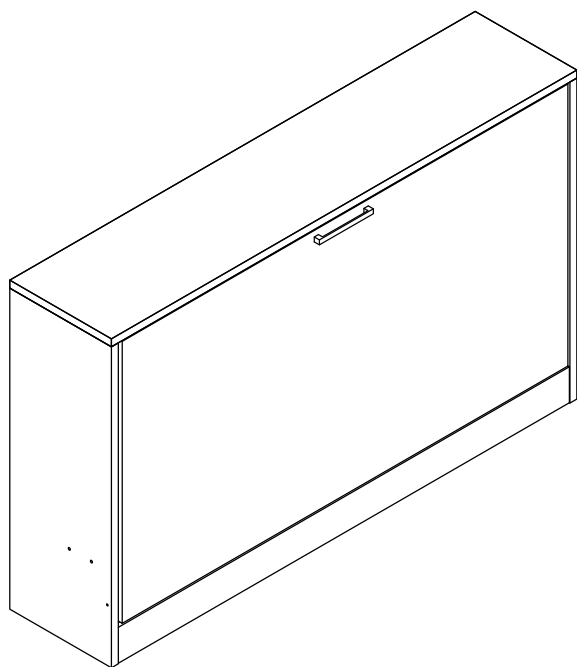




MULTIMO

A 201- SPAZIO TWIN

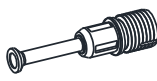



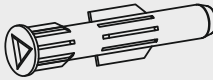

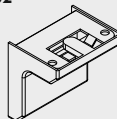
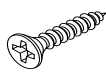

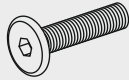
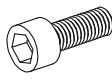
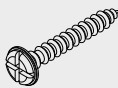


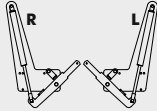
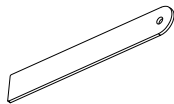
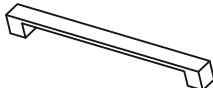


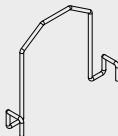
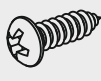
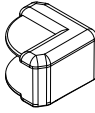
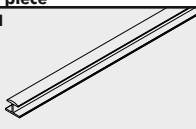
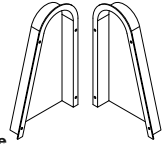


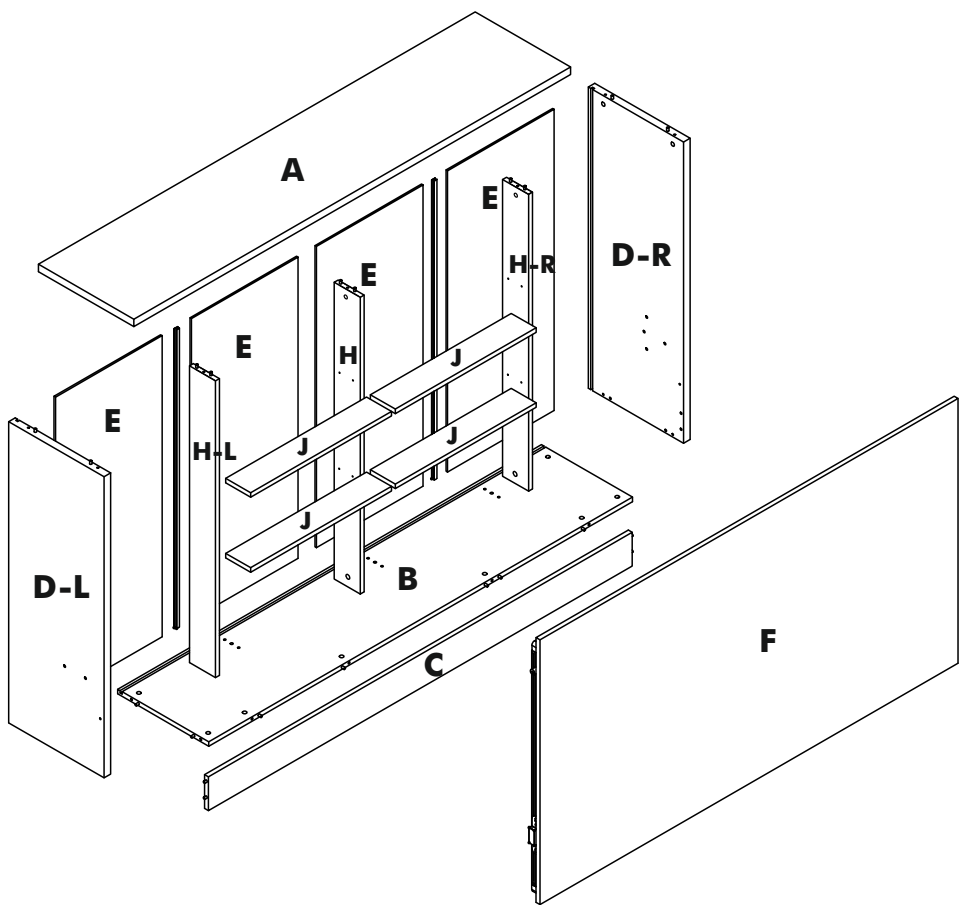
link

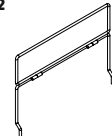
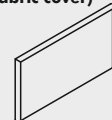
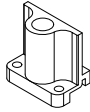

Assembly Instructions

Track Title	Piece	(inch)			(mm)			
		Thickness	Length	Width	Piece	Thick	Height	Most
A	1	1,18	79,45	17,40	1	30	2018	442
B	1	0,71	77,01	16,54	1	18	1956	420
C	1	0,71	77,01	5,31	1	18	1956	135
D	2	1,18	47,40	17,32	2	30	1204	440
E	4	0,31	47,32	19,33	4	8	1202	491
F	1	0,71	75,98	40,94	1	18	1930	1040
H	1	0,71	46,69	4,72	1	18	1186	120
H-R / H-L	2	0,71	46,69	4,72	2	18	1186	120
J	4	0,71	25,59	4,65	4	18	650	118

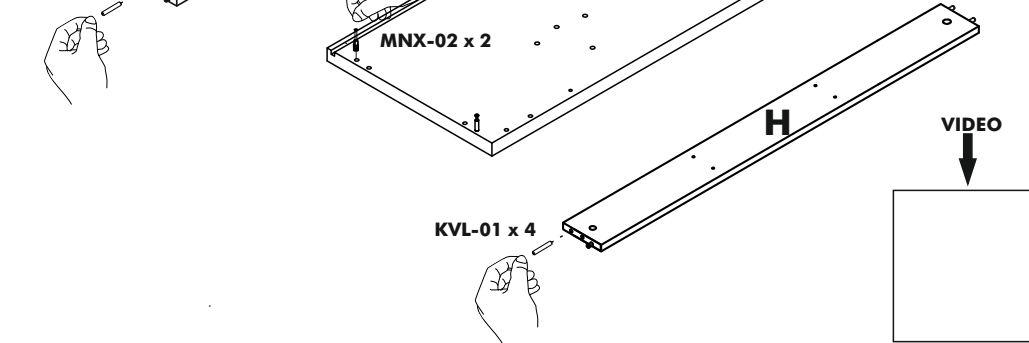
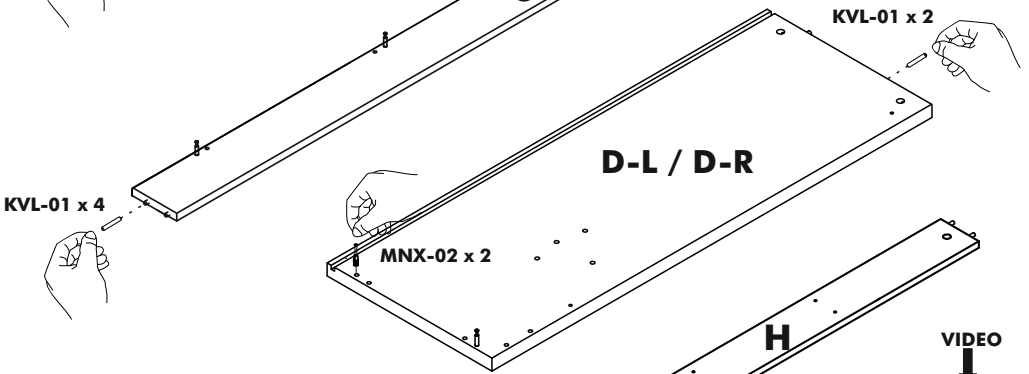
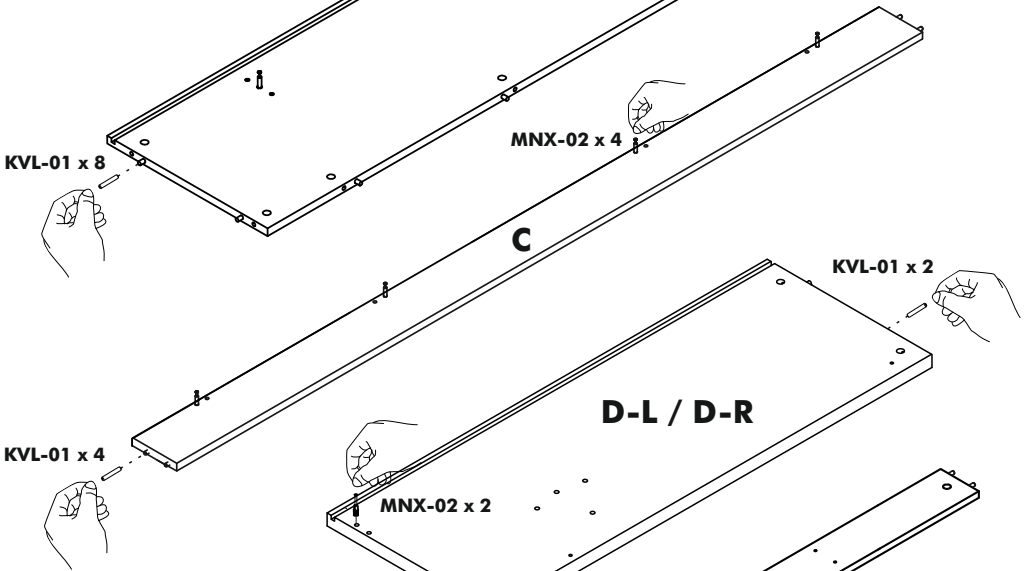
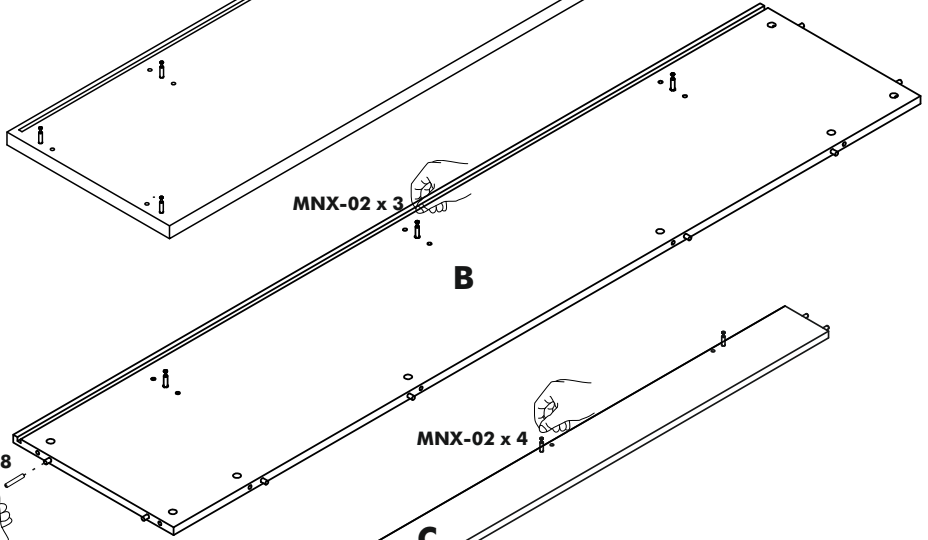
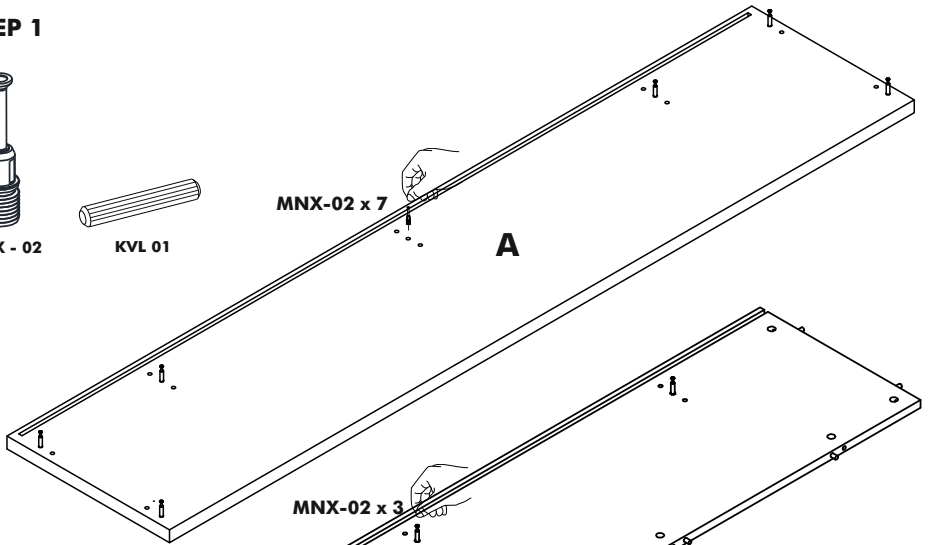
Accessories List

MX2 02  18 / piece DD - 01 (R10)	MNG - 01  18 / piece VD - 01(6X70) mm	KVL 01  44 / piece DSE - 02	TAP - 01  18 / piece VD - 03 (3,5x18) mm
 2 / piece OT-054	 2 / piece CT - 01 (6x40) mm	 2 / piece IM - 01 (6x30) mm	 6 / piece VD - 02 (3,5x25) mm
 2 / piece AL - 01 (4MM)	 2 / piece AL - 02 (5MM)	 4 / piece MKZ - 02	 14 / piece SC-61
 1 / piece KP - 01 (224) mm	 1 / piece VKP - 01 (22) mm	 1 / piece 350N	 2 / piece TTC 01
 1 / piece VTB - 02 (4,2x16) mm	 2 / piece KKS - 01	 10 / piece H 01	 4 / piece KMT-01
 8 / piece	 2 / piece	 3 / piece	 1 / piece

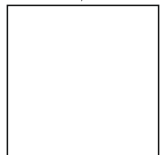


<p>KOR 02</p>  <p>1 / piece</p>	<p>KLF 02 (fabric cover)</p>  <p>1 / piece</p>	<p>KBP - 01</p>  <p>2 / piece</p>	<p>YSB - 02 (4x20) mm</p>  <p>4 / piece</p>
---	--	---	---

STEP 1

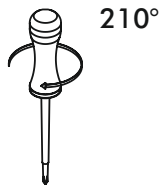


VIDEO

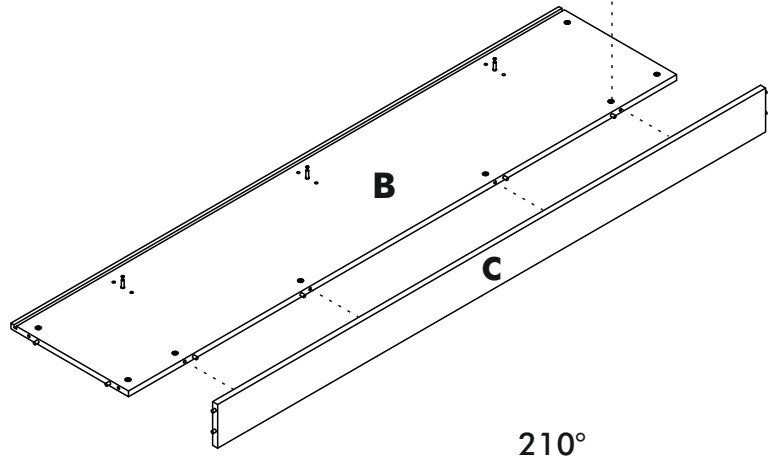


link

STEP 2

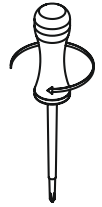


MNG - 01 x 4

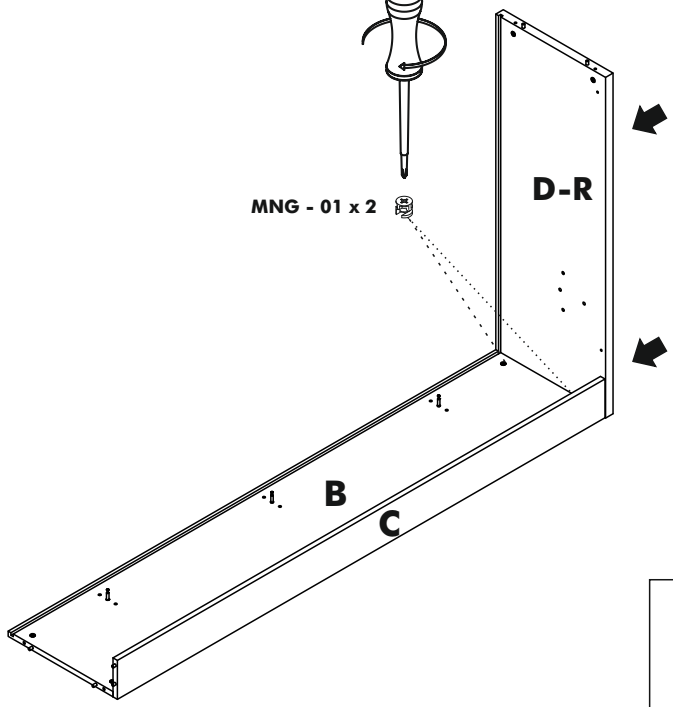


STEP 3

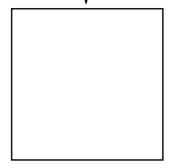
210°



MNG - 01 x 2

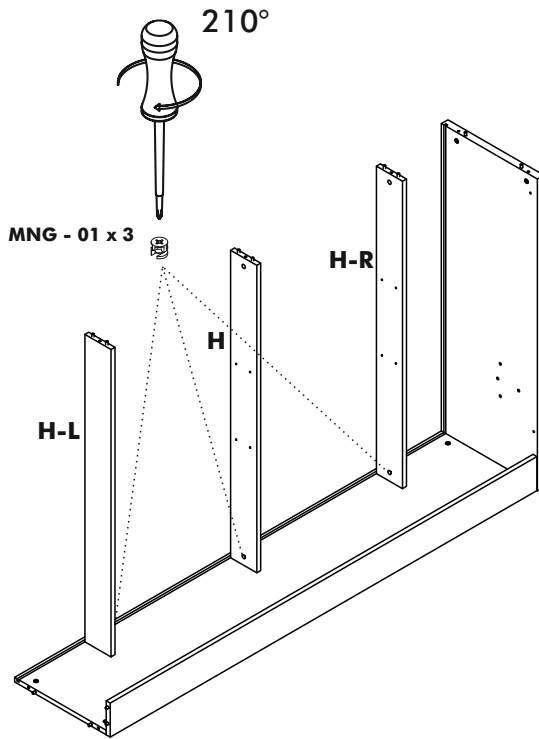


VIDEO

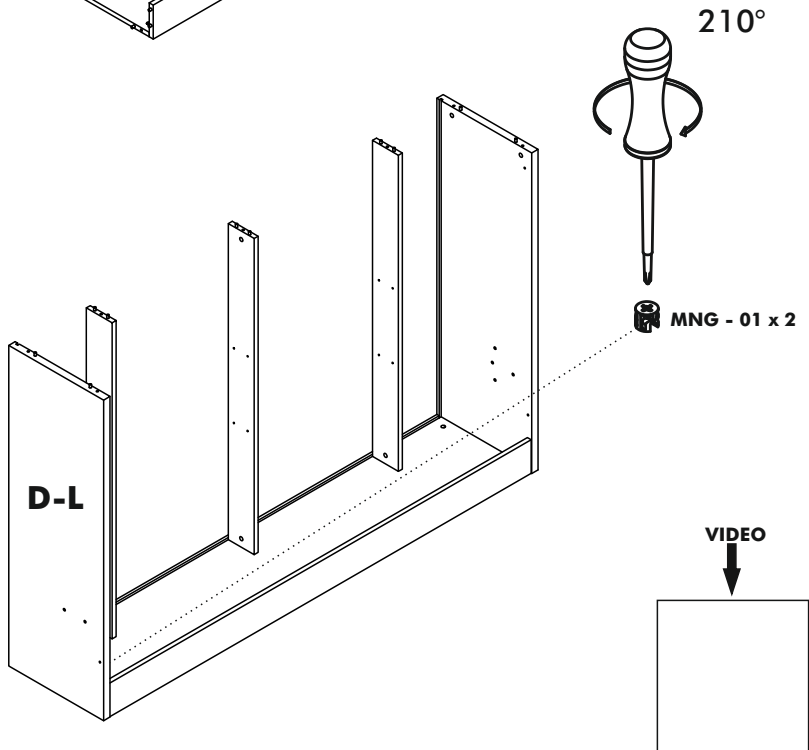


link

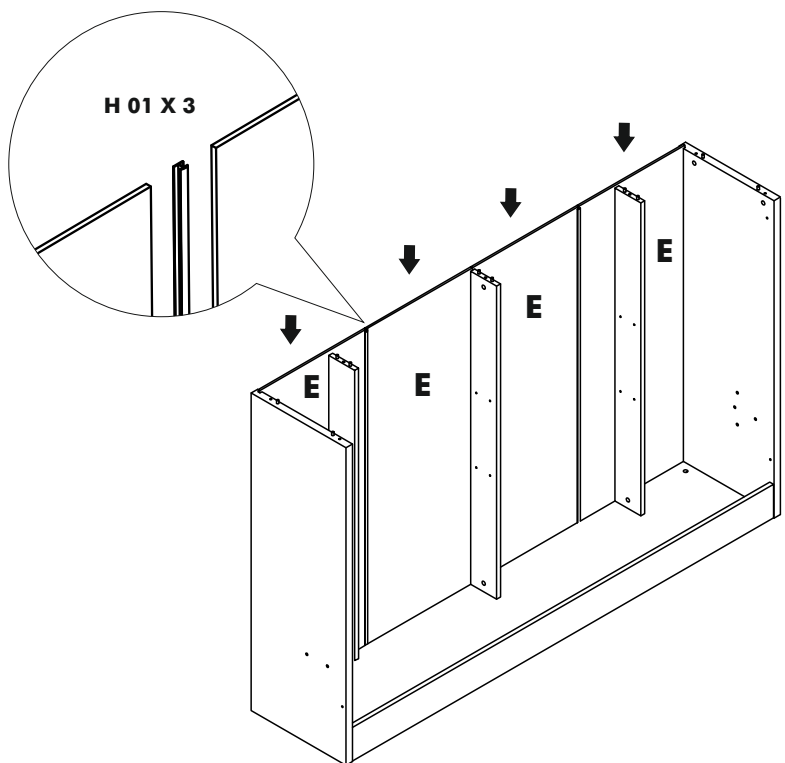
STEP 4



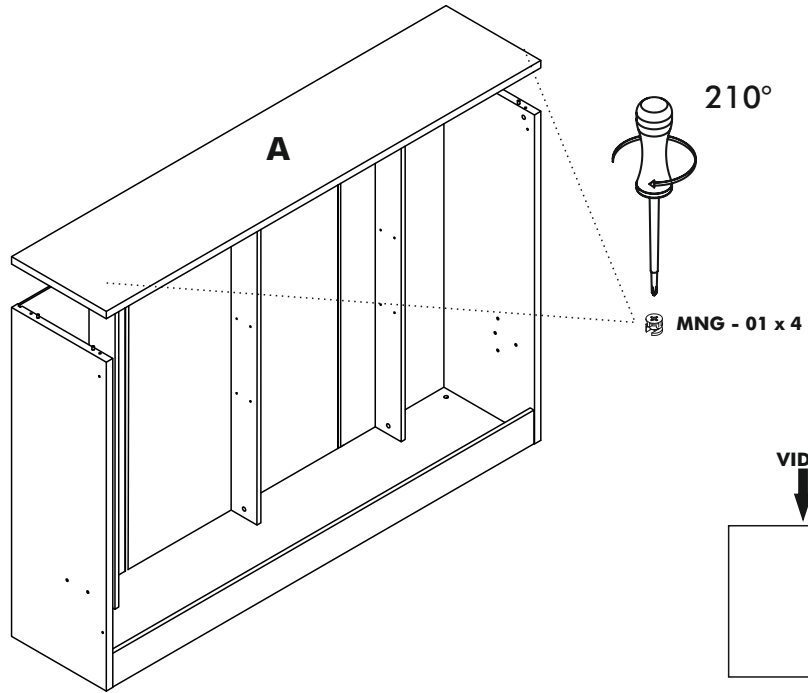
STEP 5



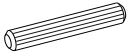
STEP 6



STEP 7

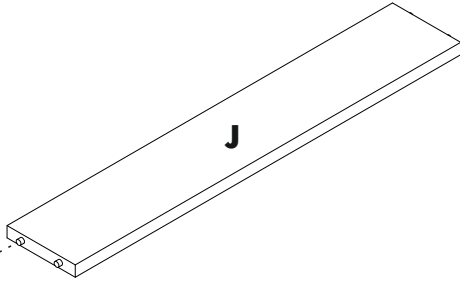


STEP 8

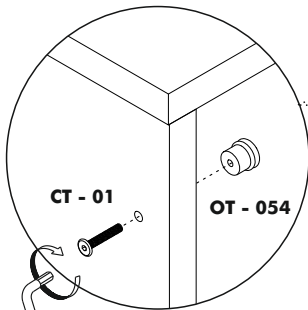
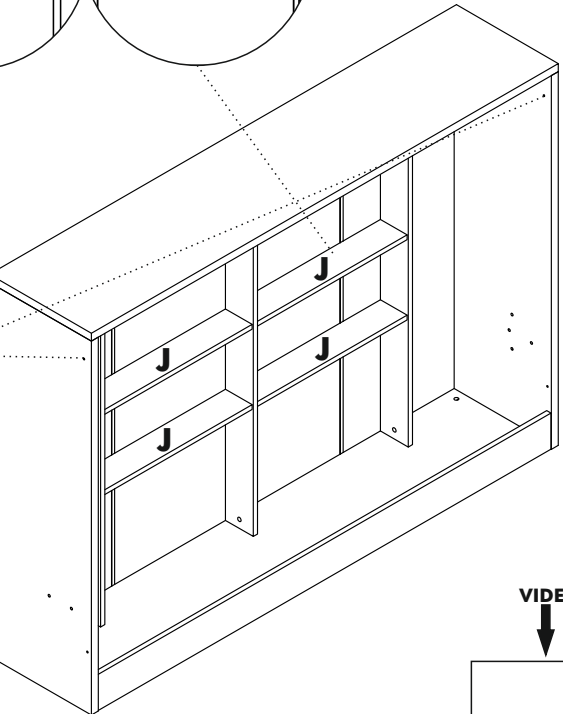
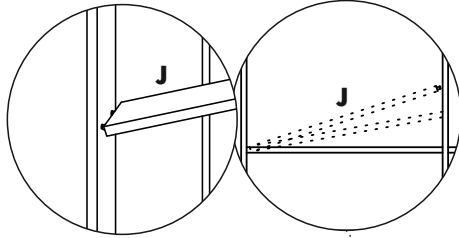


KVL 01

KVL - 01 x 4



J

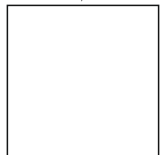


CT - 01

OT - 054

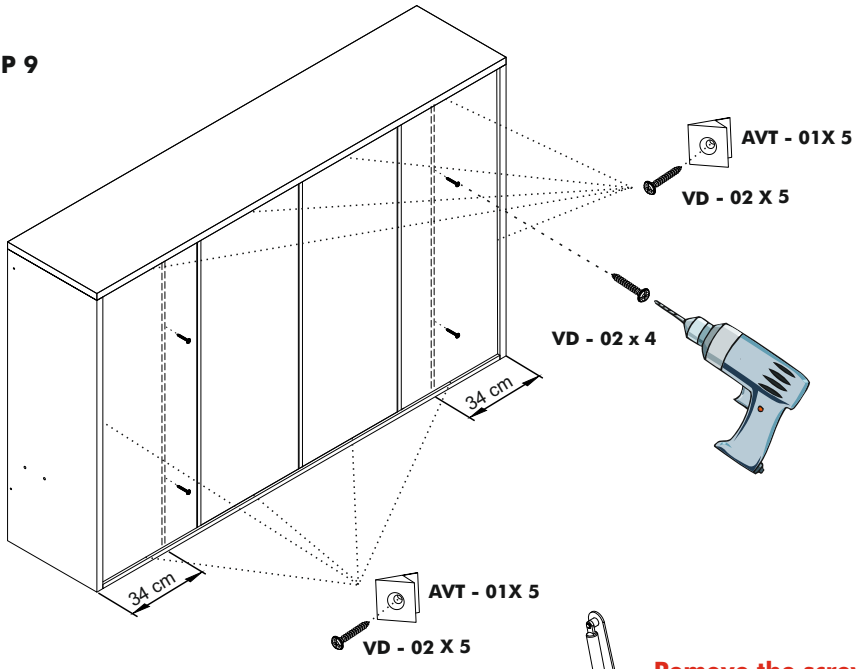
AL - 01

VIDEO

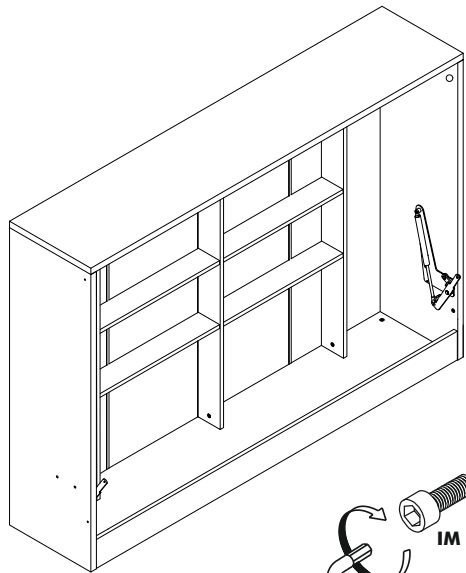


link

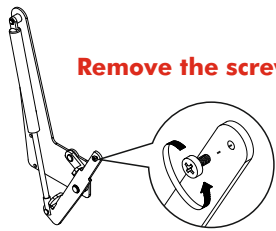
STEP 9



STEP 10



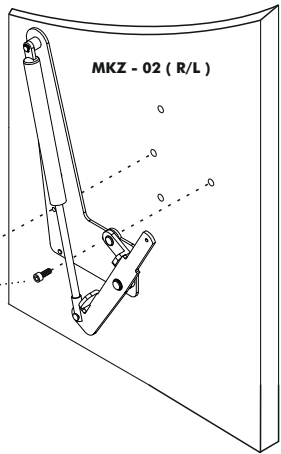
Remove the screw



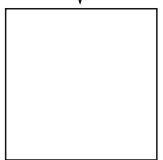
CAUTION
DO NOT UNLOCK BEFORE INSTALL



IM - 01 X 2



VIDEO



link

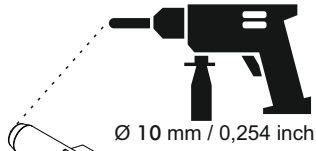


ATTENTION!!!

Must be secured to the wall made of brick, concrete or similarly strong material.
Mounting to wooden or metal studs is also acceptable.

STEP 11

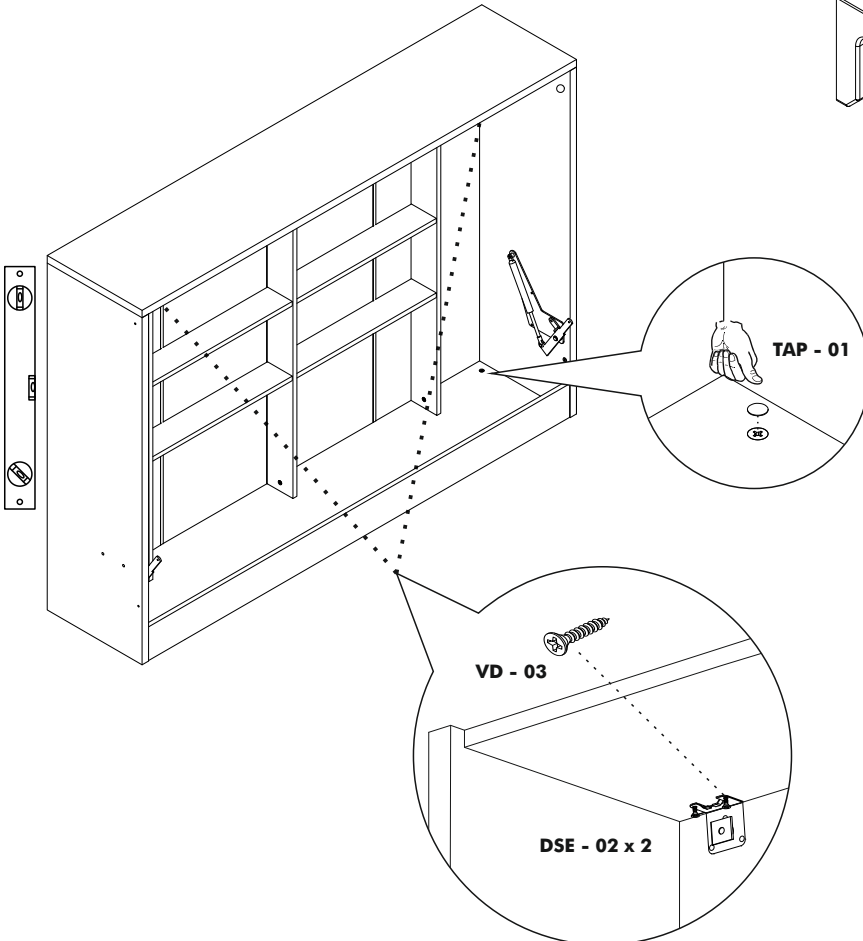
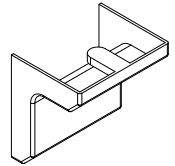
Do not mount directly to sheetrock or paper-mache type walls not supported by studs.



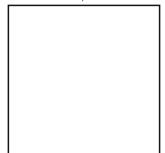
DD - 01

DSE - 02

VD - 01



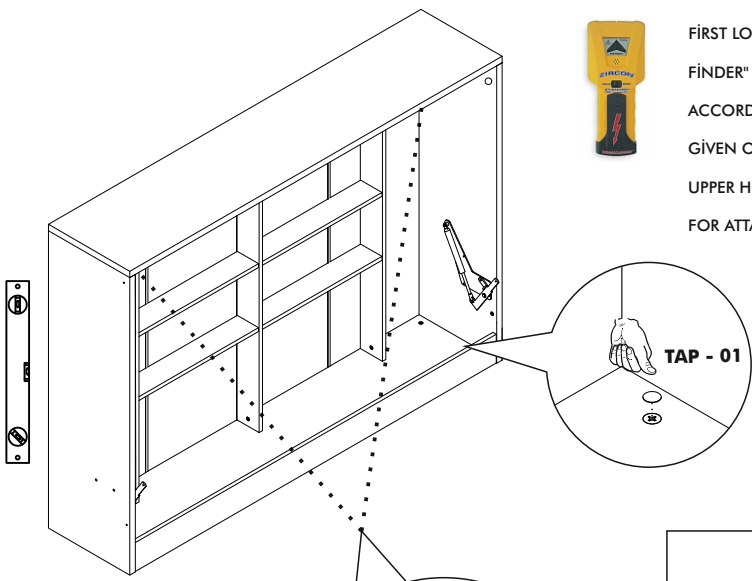
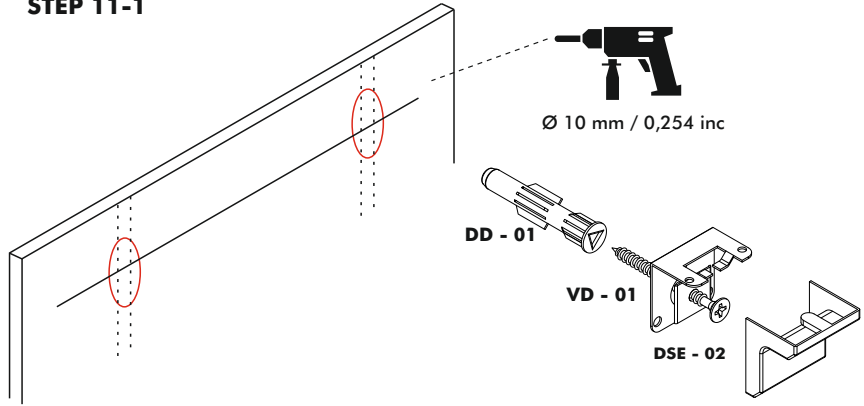
VIDEO



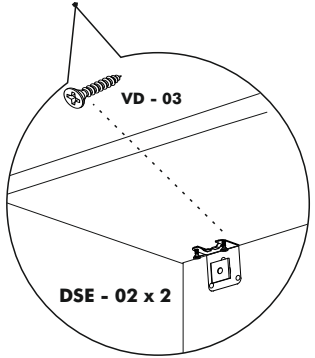
link

WALLS MADE OF DRYWALL WITH WOODEN OR METAL STUDS

STEP 11-1



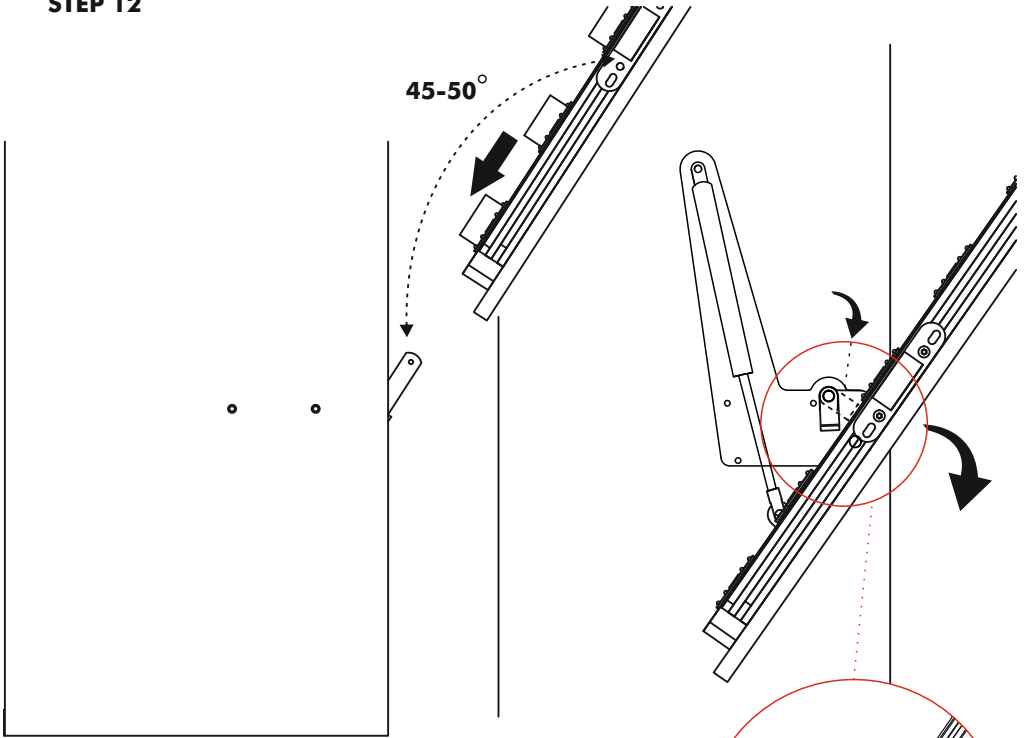
FIRST LOCATE THE STUDS BY USING "STUD FINDER" IN THE WALL AND DRILL IT ACCORDING TO THE HEIGHT MEASUREMENTS GIVEN ON THE SIDE. UPPER HOLES SHOULD BE DRILLED FOR ATTACHING BED AT NEXT STEP.



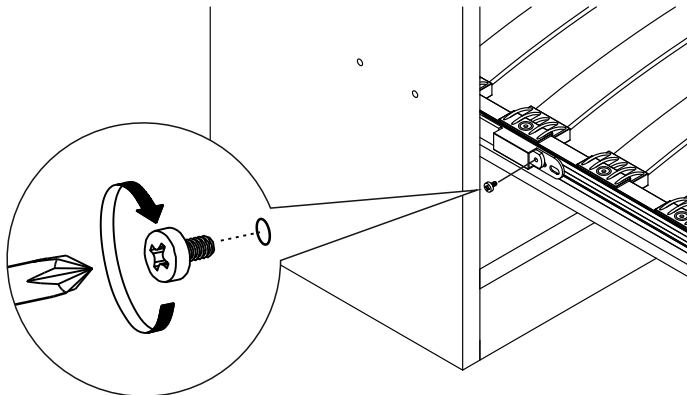
NOT INCLUDED

SUPPLY DRYWALL FASTENERS APPROPRIATE TO YOUR WALL TYPE. WE RECOMMEND USING STEEL TOGGLE BOLT ANCHOR THAT SHOWN BELOW

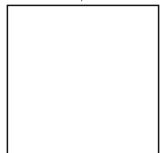
STEP 12



LET THE STOPPER LOCK MOVE DOWN !!!

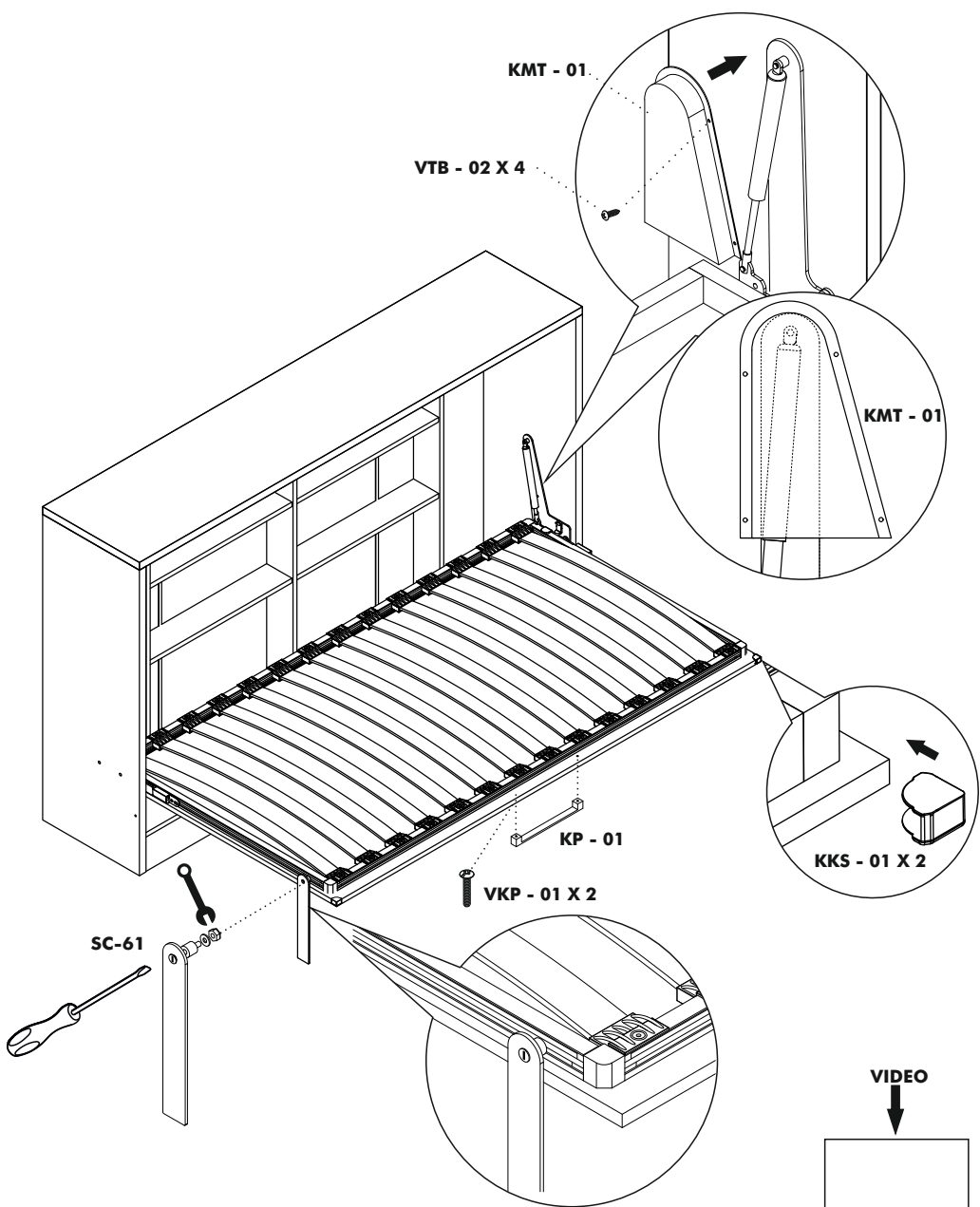


VIDEO

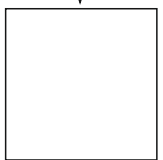


link

STEP 13

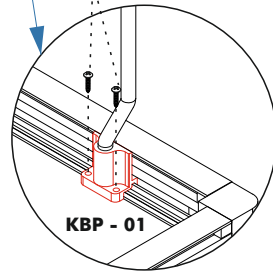
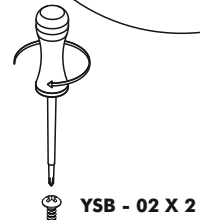
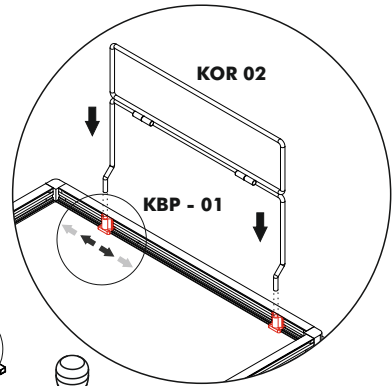
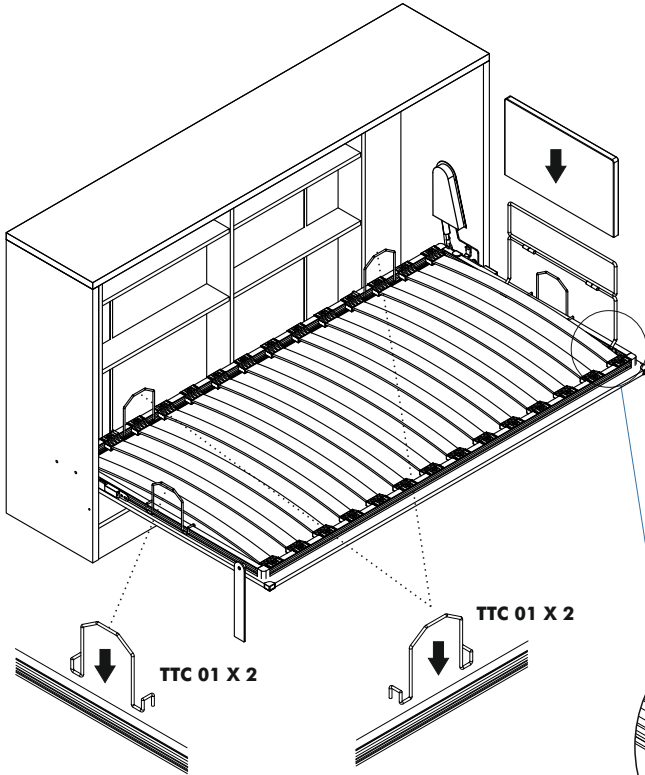
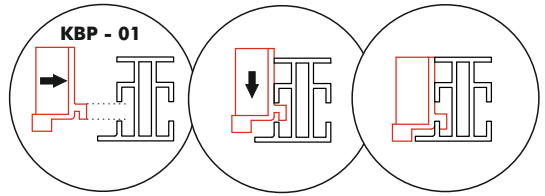


VIDEO

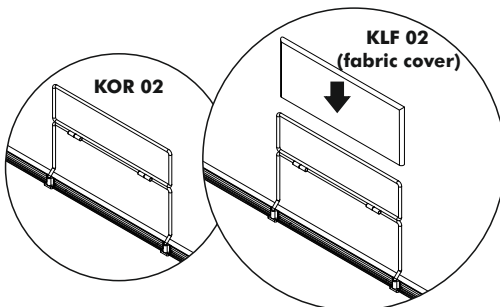


link

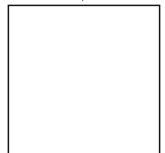
STEP 14



CAUTION !
MAKE SURE THAT HEADBOARDS
AND GUARDRAILS ARE FOLDED
BEFORE CLOSING THE BED



VIDEO

1. Wall beds must be securely attached to the wall. Hardware for mounting to concrete, brick or similar strong material is included.
2. When mounting to drywall, wall beds must be attached to wooden or metal studs in 2 or 3 points. Do not mount wall beds directly to drywall or paper-mache type wall without properly attaching it to studs. Please choose appropriate fasteners for the type of wall the bed will be mounted on. Drywall mounting hardware is not included.
3. For safety and product longevity you must periodically inspect the integrity and tightness of the mounting and mechanical connections. Confirm hardware remains properly affixed and connections are snug.
4. Do not lean or rest heavy objects on sides or top of furniture. This may cause balance issues and compromise the integrity of your mounting connections.
5. Please use wall beds and integrated shelves, desks and sofas as intended. Do not jump and/or exceed supported weight limits. Do not sit or lean on integrated shelves and desks. Improper use may cause personal injury and damage to property.
6. With seasonal humidity change please inspect the interior and exterior of the furniture for deformation and/or discoloration.
7. Before any un-mounting or disassembly please contact Multimo Beds for technical support and instructions. Failure to properly detach may result in personal injury and damage to property.



WARNINGS

IMPORTANT! HAZARD WARNING!

All Wall Beds contain sophisticated and powerful lifting mechanism. Failure to follow assembly and installation instructions may result in **severe personal injury and damage of the product.**

SECURE RIGIDLY TO A WALL!

Improper attaching wall bed to a wall will create a tip-over hazard and may result in severe personal injury or even death. **ONLY qualified installers should install or remove a wall bed.**



WARRANTY

RETAIL RESIDENTIAL TERM

Lifetime guarantee on hardware.
5 year structural guarantee on cabinetry.

COMMERCIAL TERM

Lifetime guarantee on hardware.
2 year structural guarantee on cabinetry.



www.multimobeds.com