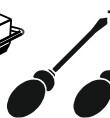
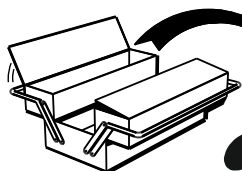
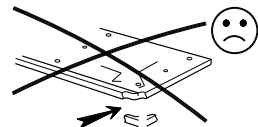
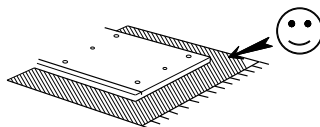
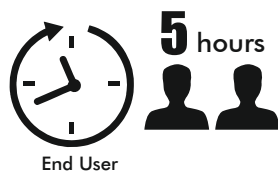
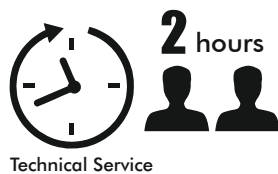
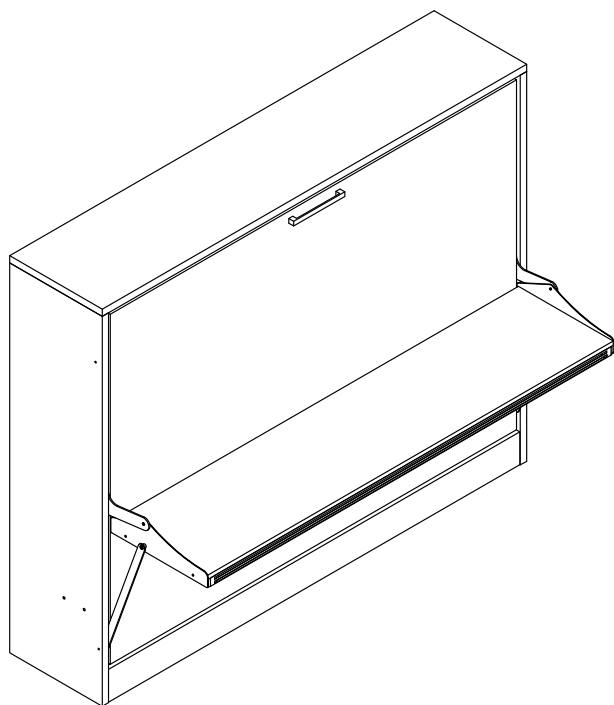




MULTIMO

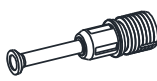

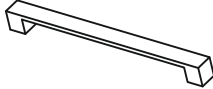

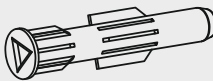

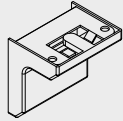
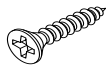

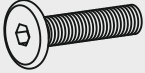
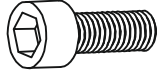
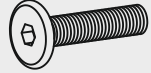
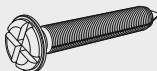







A 202 SPAZIO T

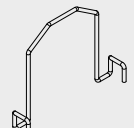
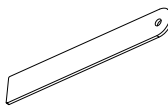
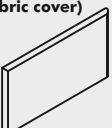

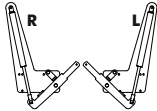
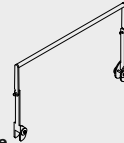
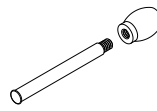
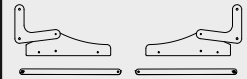
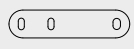
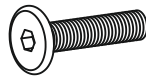


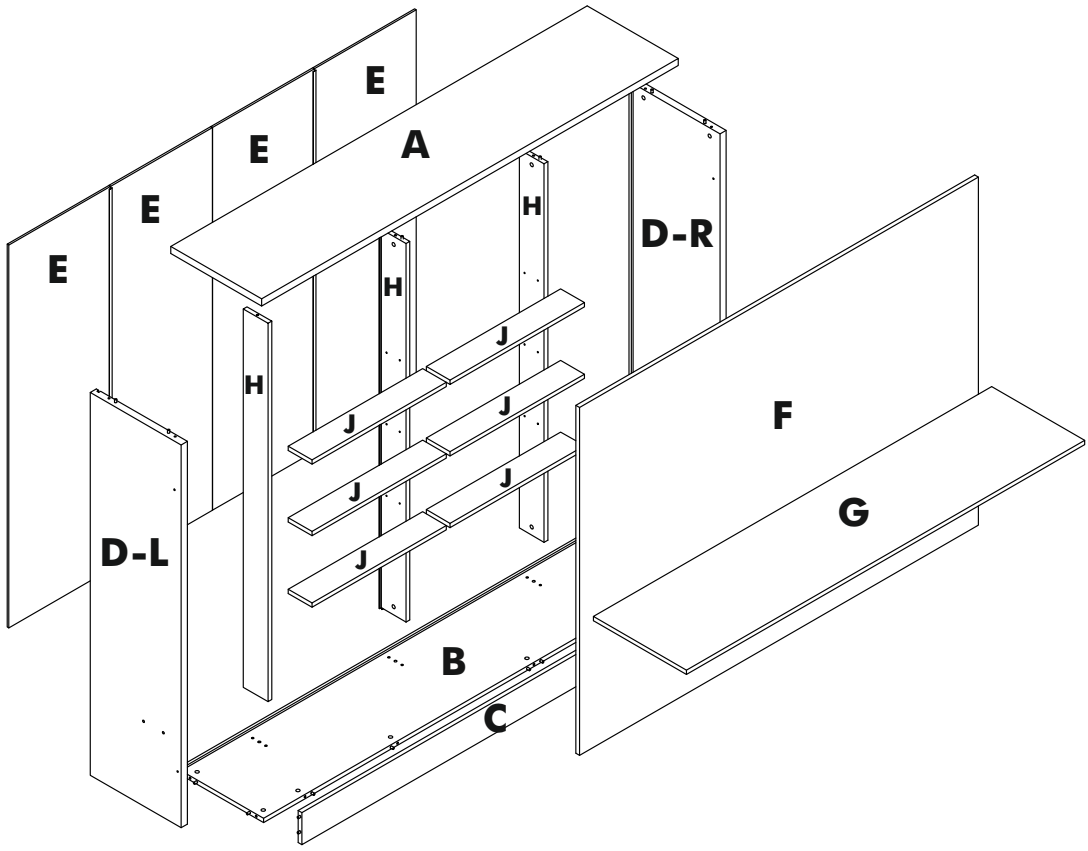
Assembly Instructions

Track Title	Piece	(inch)			(mm)			
		Thickness	Length	Width	Piece	Thick	Height	Most
A	1	1,18	79,45	17,32	1	30	2018	440
B	1	0,71	77,01	16,54	1	18	1956	420
C	1	0,71	77,01	5,31	1	18	1956	135
D	2	1,18	63,15	17,32	2	30	1604	440
E	4	0,31	63,15	19,37	4	8	1604	492
F	1	0,71	75,98	56,69	1	18	1930	1440
H	3	0,71	62,44	4,72	3	18	1586	120
J	6	0,71	25,59	4,53	6	18	650	115
G	1	0,71	75,87	17,72	1	18	1927	450

Accessories List

MNX 02  18 / piece	MNG - 01  18 / piece	KP - 01 (224) mm  1 / piece	VKP - 01 (22) mm  2 / piece
DD - 01 (R10)  2 / piece	VD - 01(6X70) mm  ??? / piece	DSE - 02  2 / piece	VD - 03 (3,5x18) mm  8 / piece
OT-054  2 / piece	CT - 01 (6x40) mm  4 / piece	IM - 01 (6x30) mm  4 / piece	CT - 02 (6x30) mm  2 / piece
VD - 02 (3,5x25) mm  16 / piece	SG - 01  4 / piece	SN - 01 (M6)  4 / piece	PL - 01 (6x19x2) mm  4 / piece
BU - 01  2 / piece	AL - 01  4	KVL 01  50/ piece	TAP - 01  18 / piece

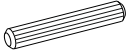
<p>TTC 01</p>  <p>4 / piece</p>	<p>SC-61</p>  <p>2 / piece</p>	<p>KLF 01 (fabric cover)</p>  <p>1 / piece</p>	<p>H 01</p>  <p>3 / piece</p>
<p>MKZ - 02</p>  <p>2 / piece</p>	<p>KOR 01</p>  <p>1 / piece</p>	<p>KLT 01</p>  <p>1 / piece</p>	<p>SC - 32</p>  <p>2 / piece</p>
<p>SC-25</p>  <p>1 / piece</p>	<p>CT - 04 (6x20) mm</p>  <p>2 / piece</p>		



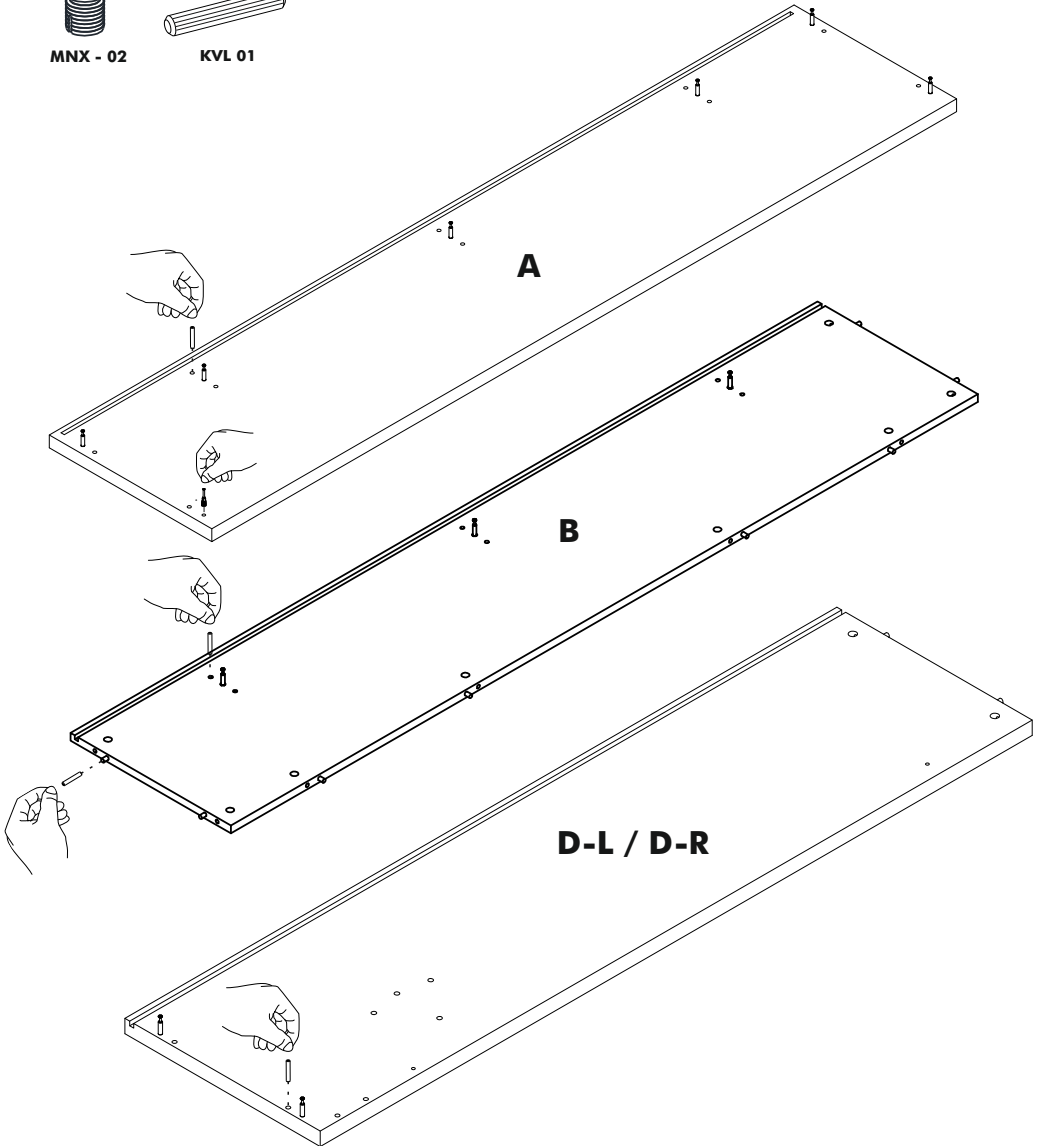
STEP 1



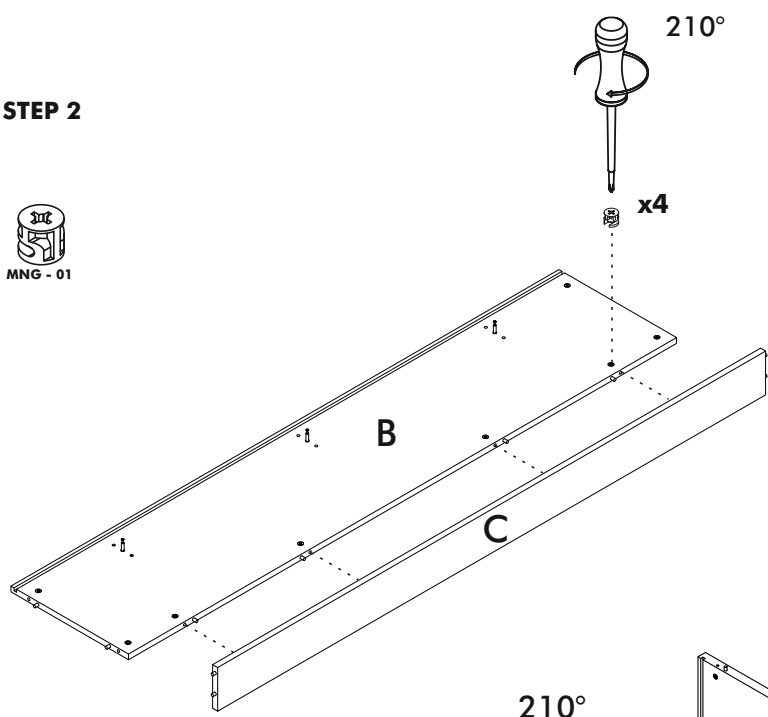
MNX - 02



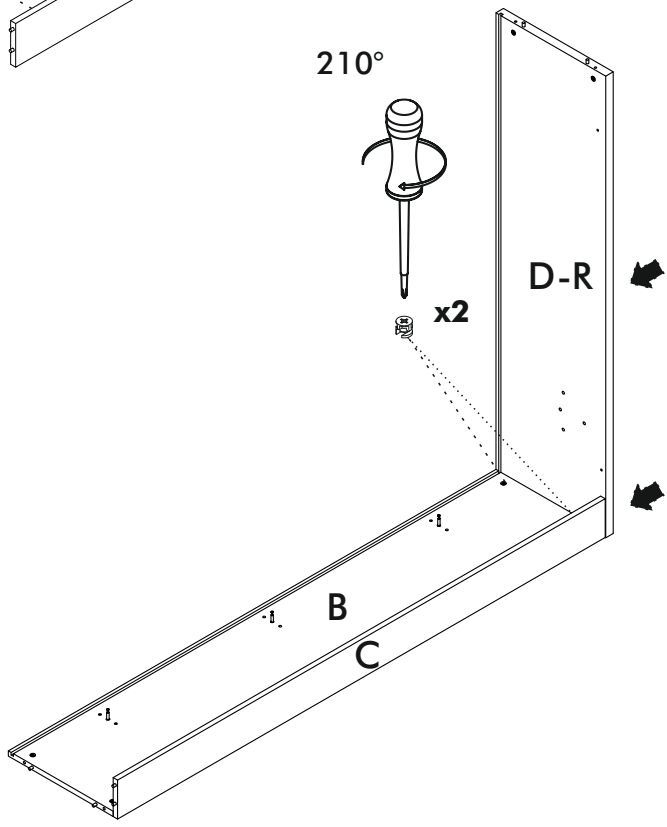
KVL 01



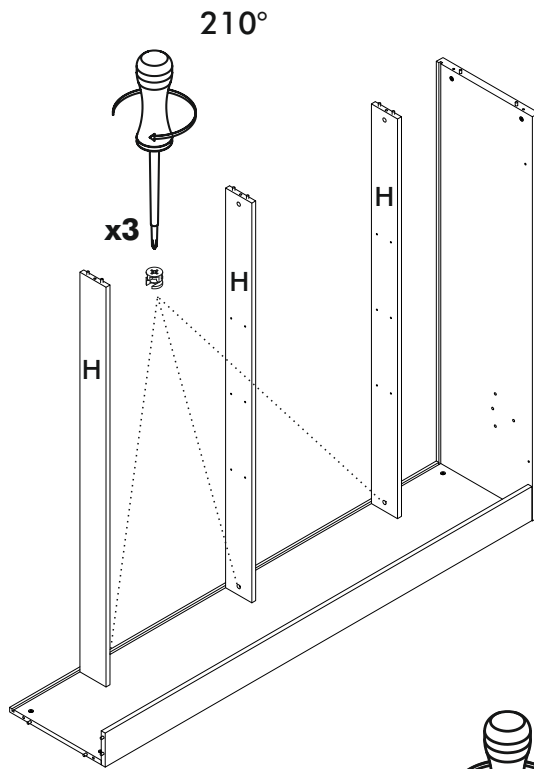
STEP 2



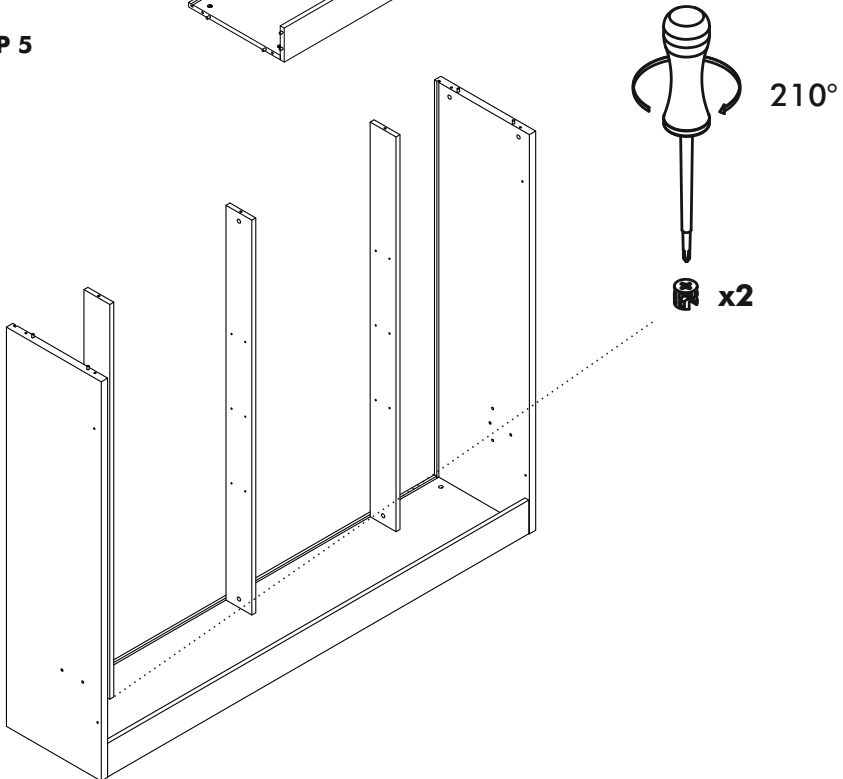
STEP 3



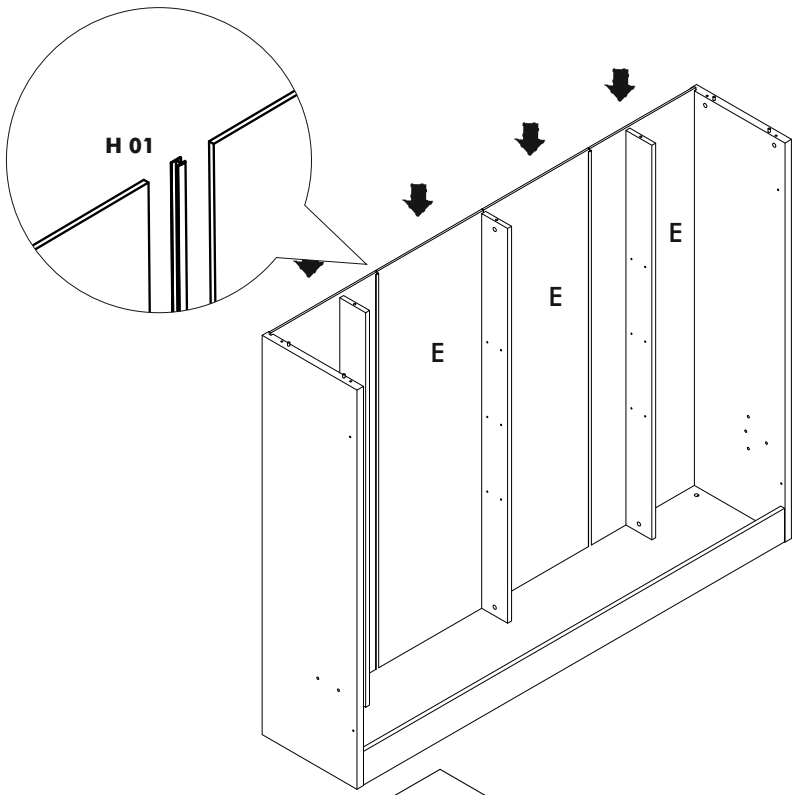
STEP 4



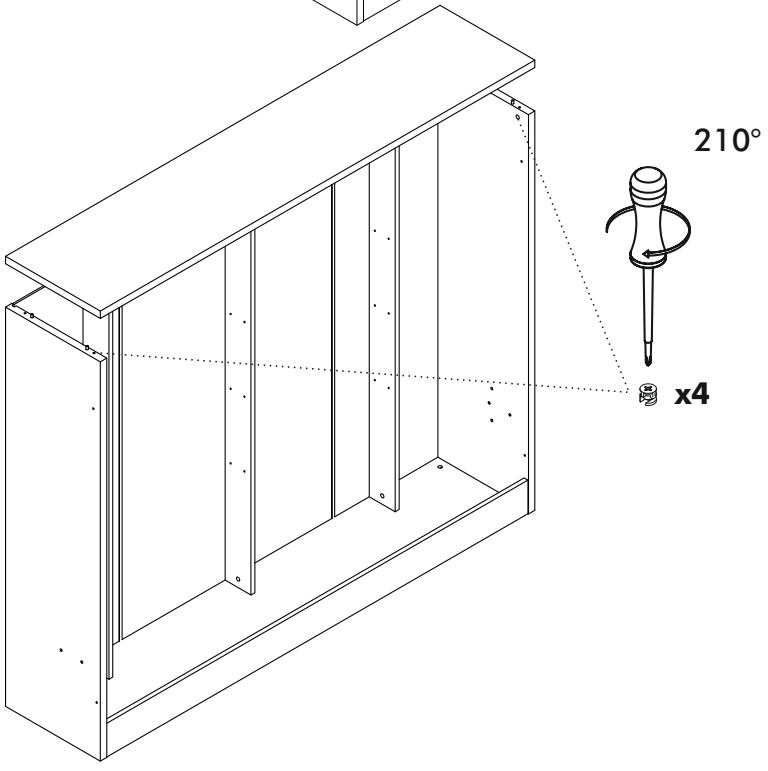
STEP 5



STEP 6

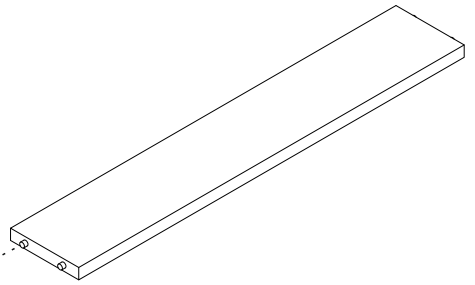
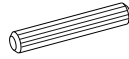


STEP 7



STEP 8

KVL 01

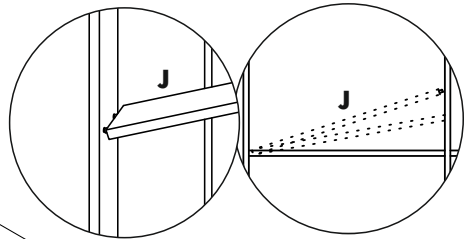
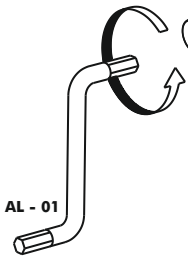


STEP 9

OT-054

CT - 01

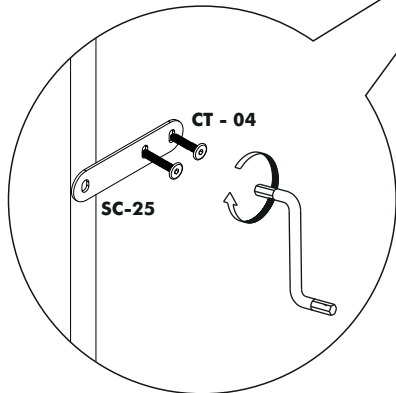
AL - 01



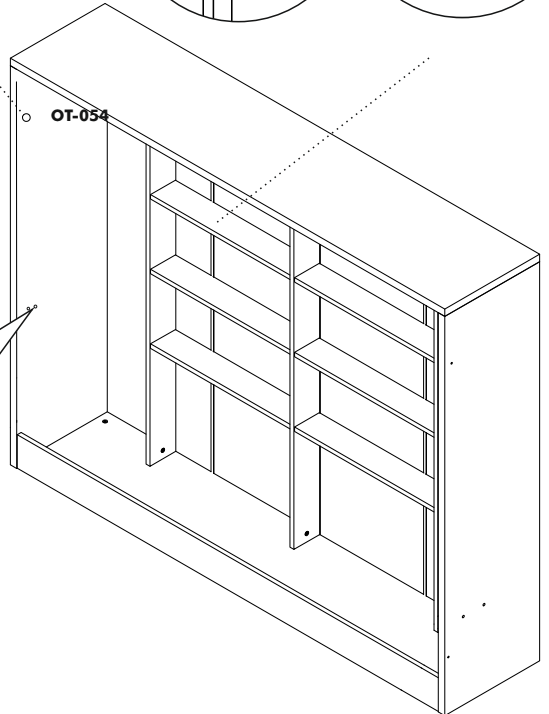
STEP 10

CT - 04

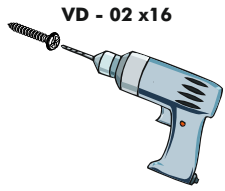
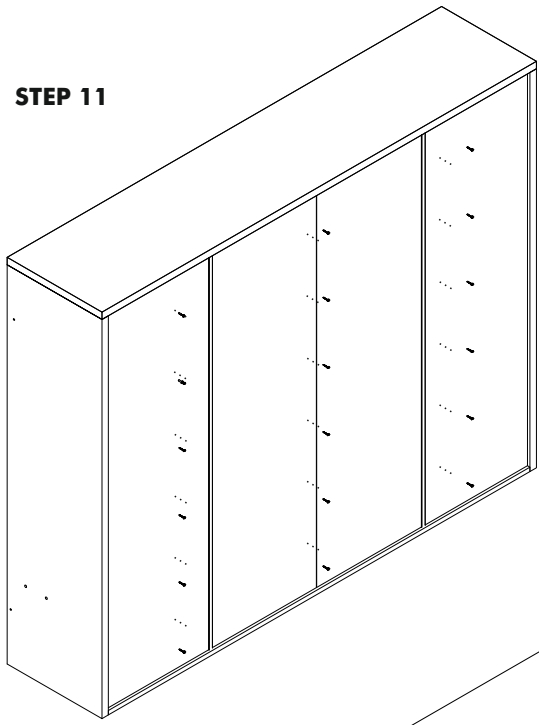
SC-25



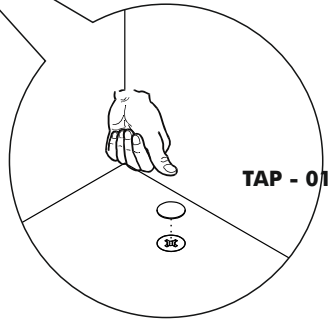
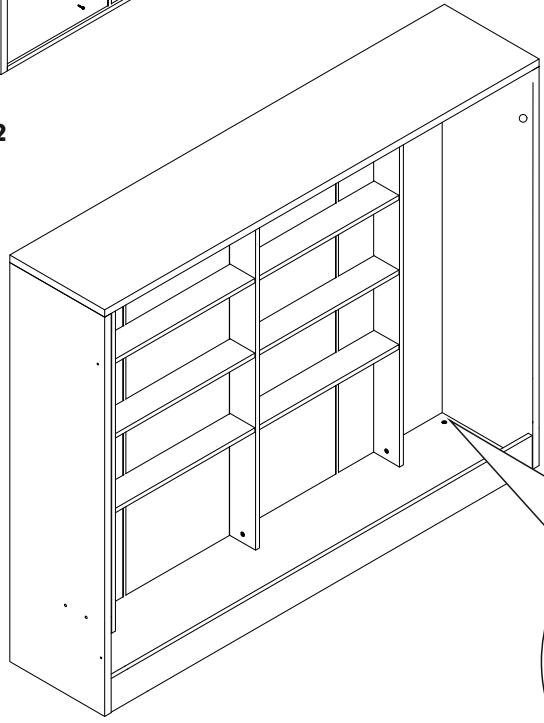
OT-054



STEP 11

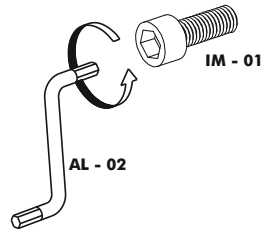
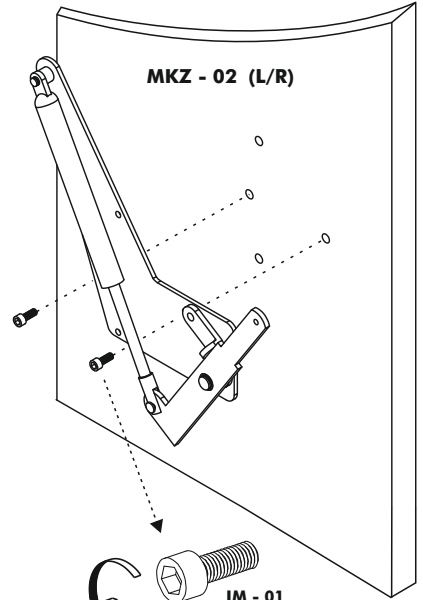
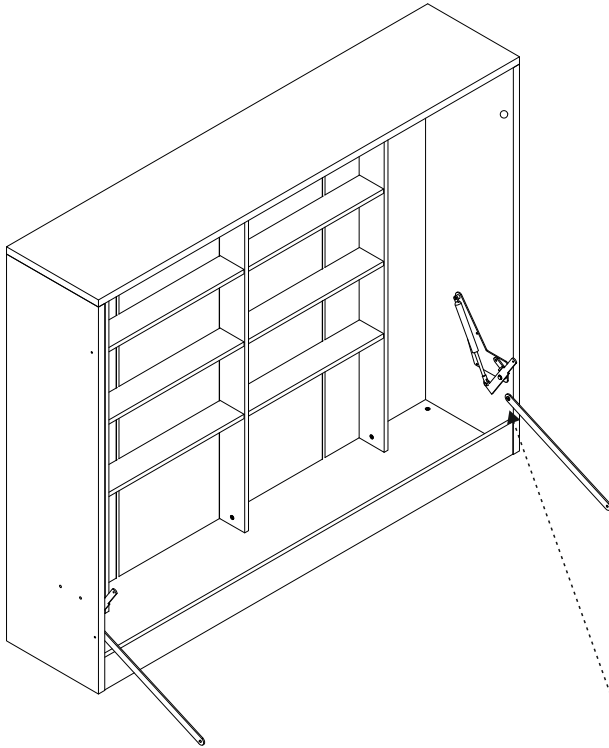


STEP 12

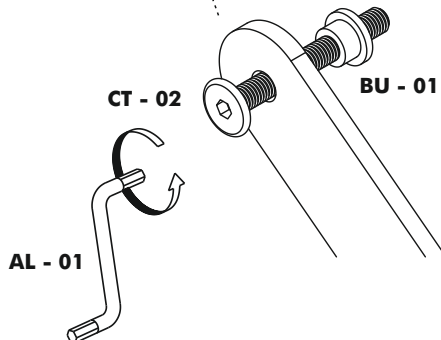


STEP 13

CAUTION
DO NOT UNLOCK
BEFORE INSTALL



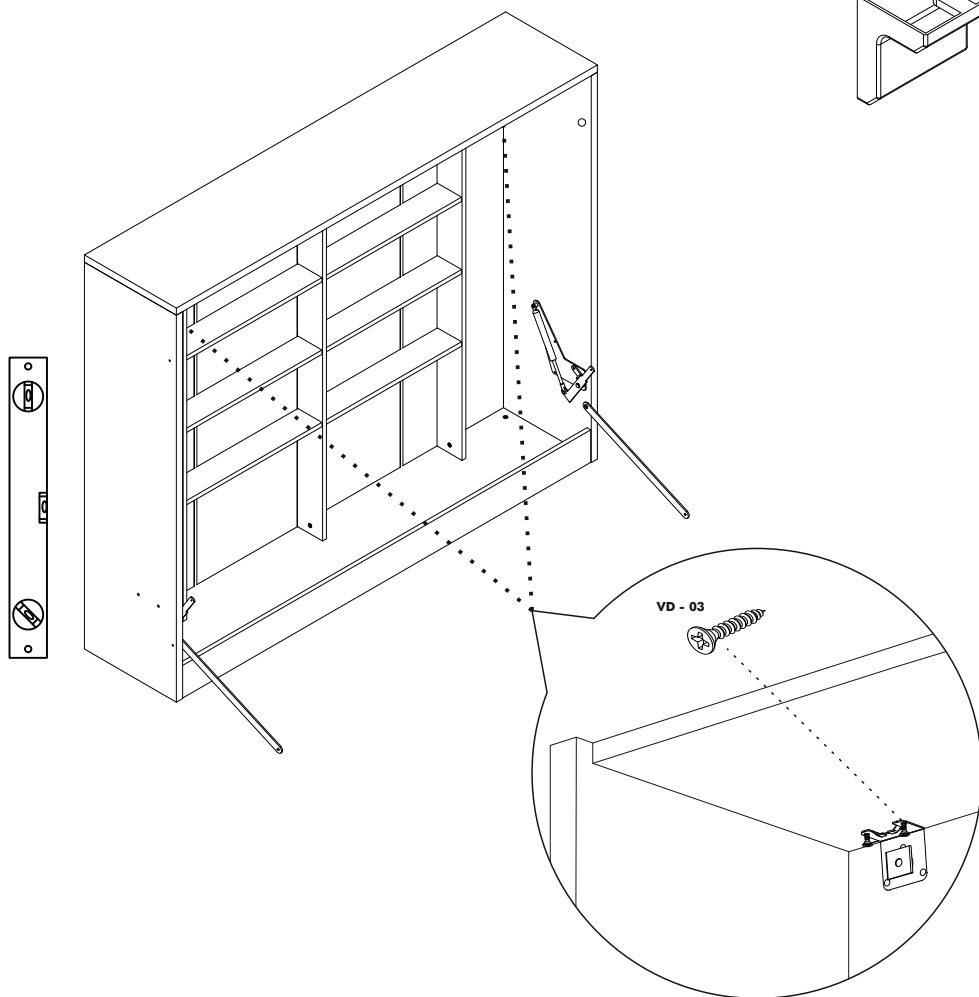
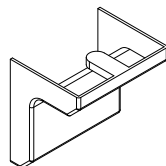
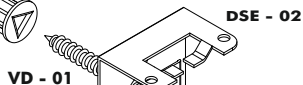
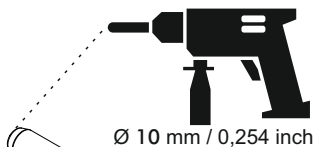
STEP 14



WALLS MADE OF BRICK, CONCRETE OR HARD SURFACE MOUNTING (HARDWARE PROVIDED)

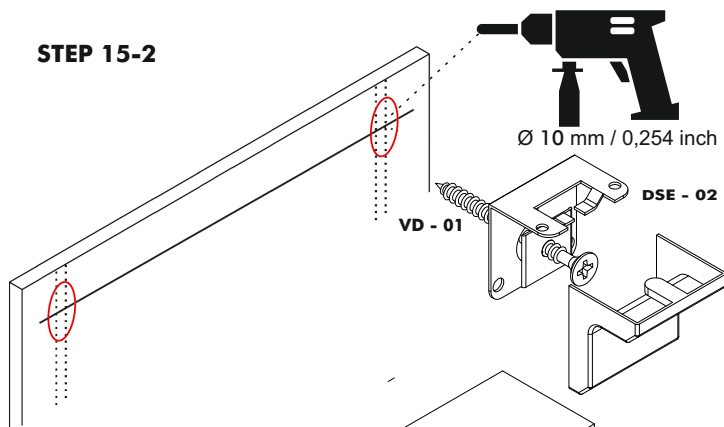


STEP 15



WALLS MADE OF DRYWALL WITH WOODEN OR METAL STUDS

STEP 15-2

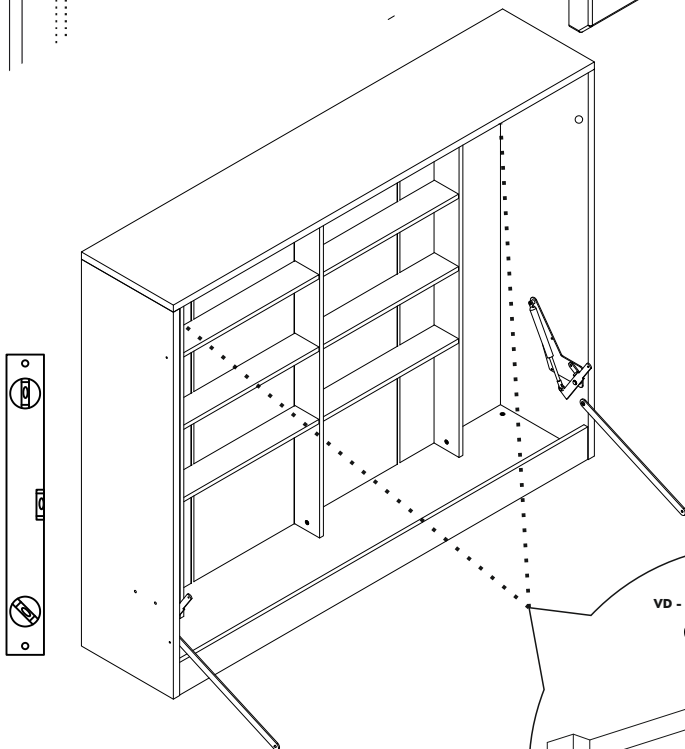


FIRST LOCATE THE STUDS BY USING "STUD FINDER" IN THE WALL AND DRILL IT ACCORDING TO THE HEIGHT MEASUREMENTS GIVEN ON THE SIDE.

UPPER HOLES SHOULD BE DRILLED FOR ATTACHING BED AT NEXT STEP.

NOT INCLUDED

SUPPLY DRYWALL FASTENERS APPROPRIATE TO YOUR WALL TYPE. WE RECOMMEND USING STEEL TOGGLE BOLT ANCHOR THAT SHOWN BELOW



WARNING:
Do not mount furniture on to paper-mache or sheetrock like material properly it to stud.

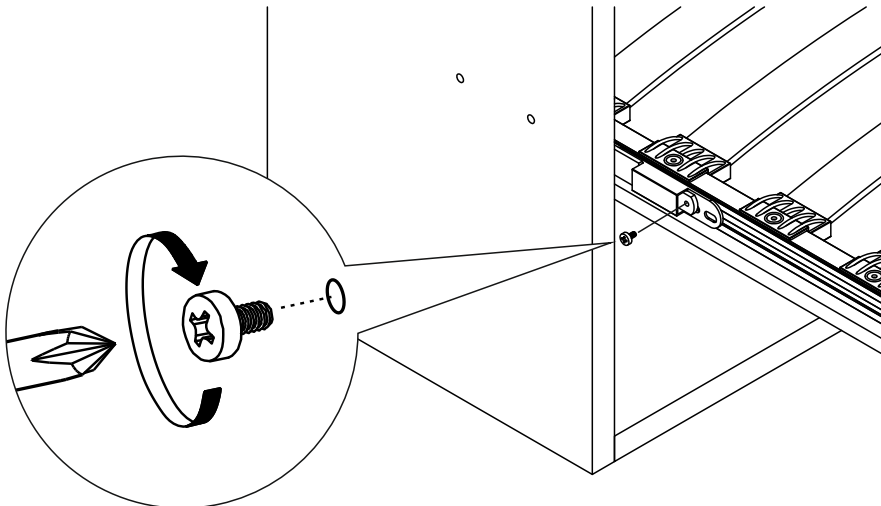
STEP 16

CAUTION

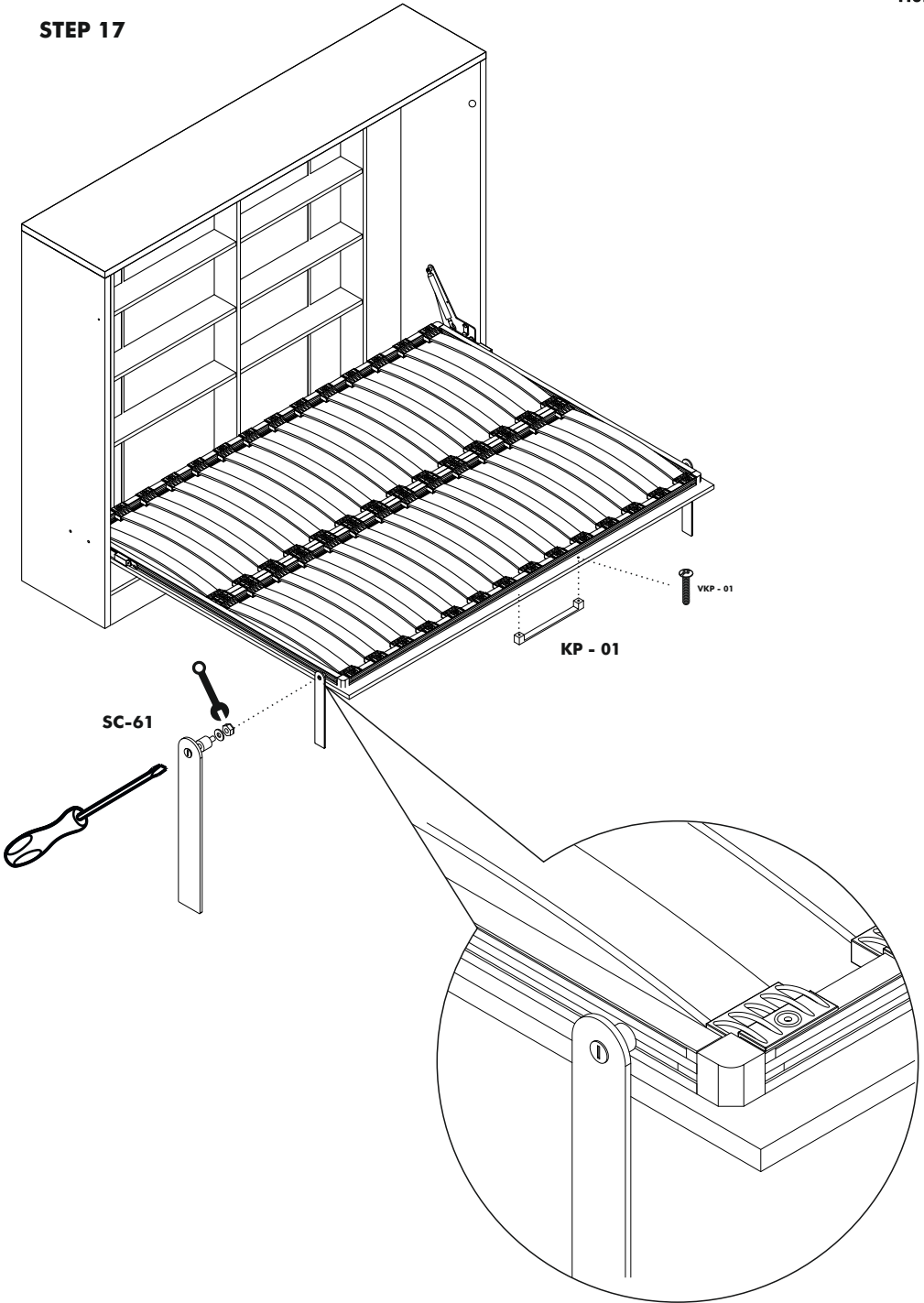
MAKE SURE THE FRONT PANEL IS ALL THE WAY INSIDE THE TONNELS

45-50°

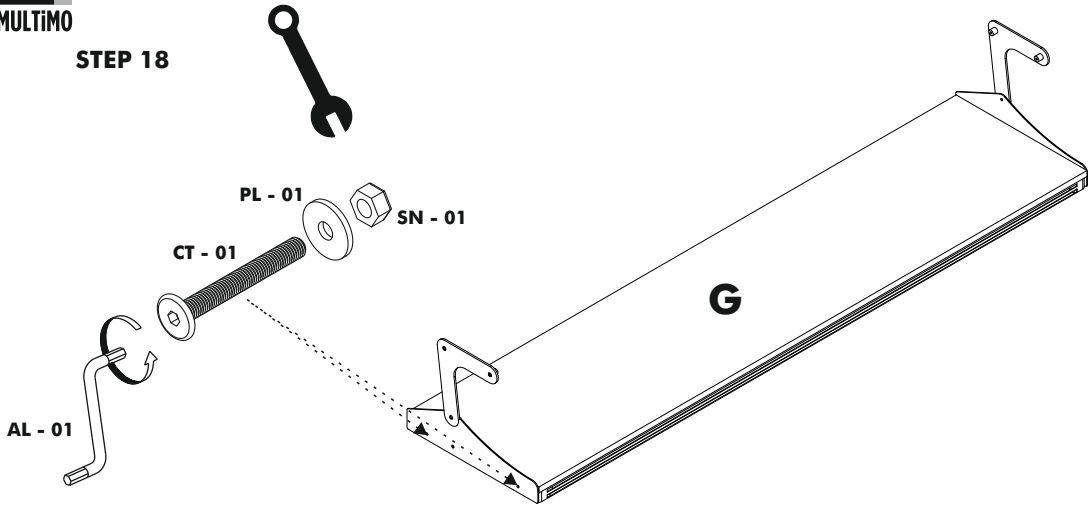
PULL DOWN GENTLY TO RELIESE THE HOLDING TRIGGER OCK



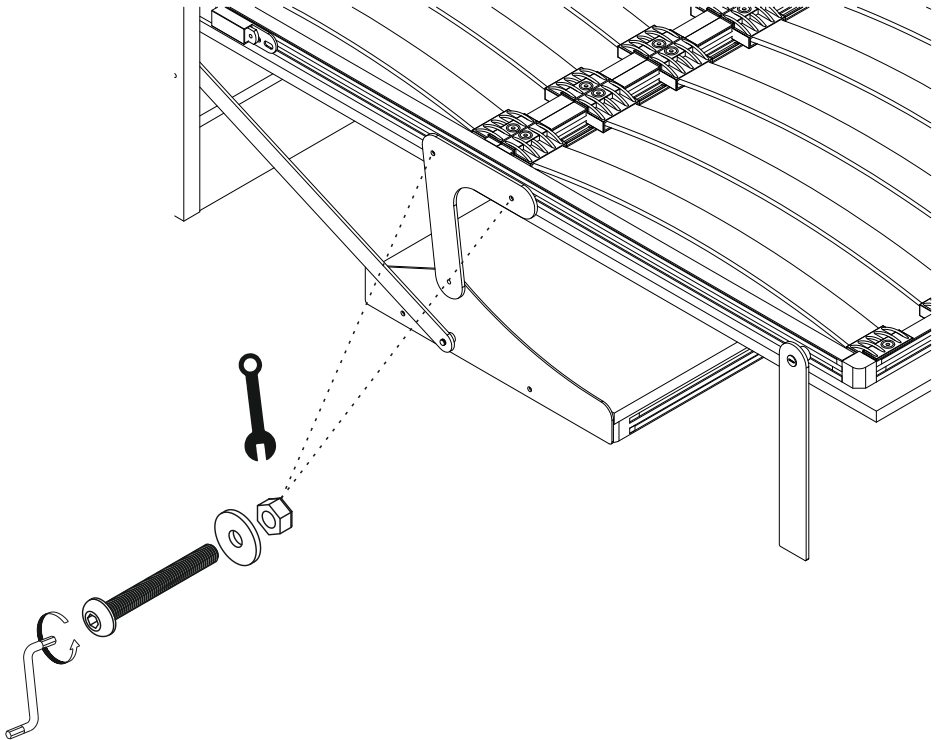
STEP 17



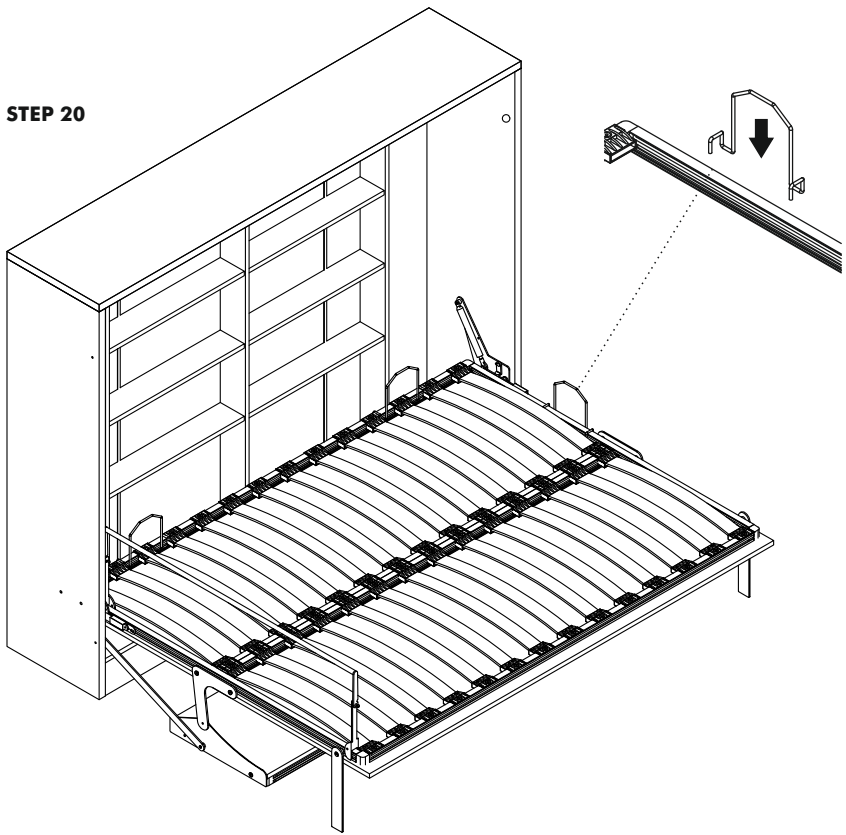
STEP 18



STEP 19



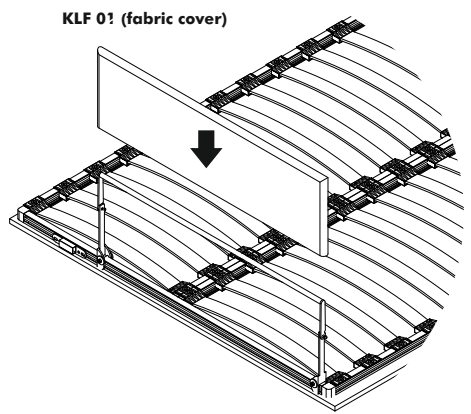
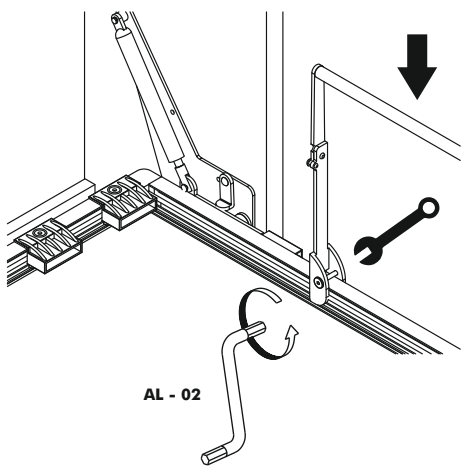
STEP 20



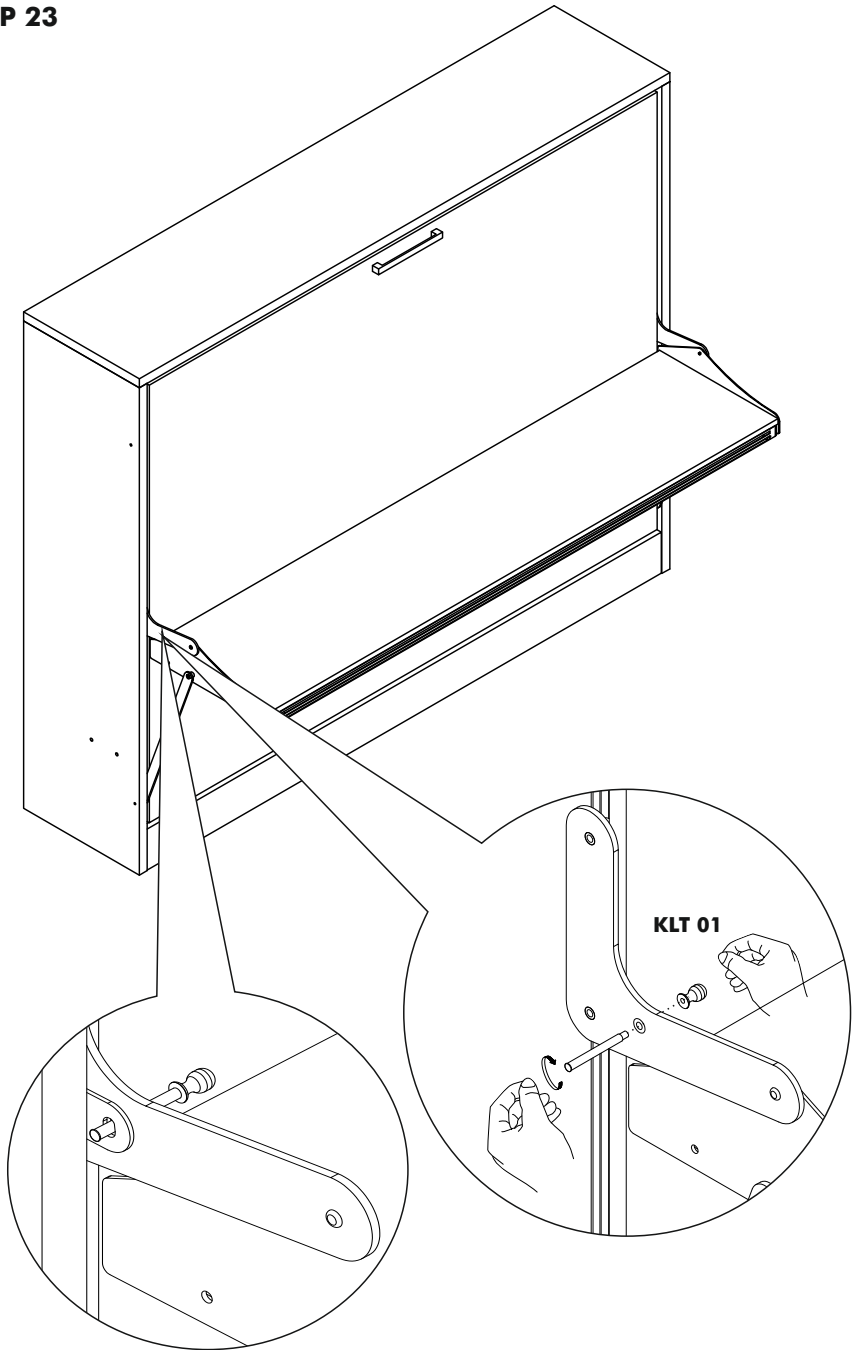
CAUTION !
BE SURE THE HEADBOARD
IS IN CLOSED POSITION
WHEN BED BOX IS CLOSED

STEP 21

STEP 22



STEP 23



1. Unless an item is free standing, when mounting on a regular drywall, furniture must be fastened to wood or metal studs. Solid walls made of brick, concrete or similar materials are also acceptable. Do not mount furniture on to paper-mache or sheetrock like material without properly affixing it to stud.
2. For safety and longevity of the product you must periodically inspect the mounting and mechanical connections for integrity and tightness. Confirm that hardware remains properly affixed and connections are snug.
3. Unless noted otherwise on the product page, Wall Bed mattress thickness may not exceed 8 inch. Make sure to remove pillows and excess blankets before closing. This keeps mechanism free of obstructions and unnecessary stress.
4. Do not lean or rest heavy objects on sides or top of furniture. This may cause balance issues and compromise the integrity of your mounting connections.
5. Please use beds, desks and shelving as intended. Improper use may cause personal injury and damage to property.
6. With seasonal humidity change you must inspect interior and exterior of furniture.
7. Single, Twin, Twin XL beds accommodate the weight of one person, up to 250 lb. Exceeding recommended weight restrictions may lead to personal injury and property damage.
8. Before any un-mounting or disassembly please contact Multimo for technical support and instructions. Failure to properly detach wall bed may result in personal injury and property damage.
9. Some wall beds have legs that fully extend when open - be aware of where the leg is and will be.



WARNING

IMPORTANT! HAZARD WARNING!

All Wall Beds contain sophisticated and powerful lifting mechanism.
Failure to follow assembly and installation instructions may result in **severe personal injury and damage of the product.**

SECURE RIGIDLY TO A WALL!

Improper attaching wall bed to a wall will create a tip-over hazard and may result in severe personal injury or even death.

ONLY qualified installers should install or remove a wall bed.

10. For Bunk Beds:

- a. Always use provided ladder when accessing top bunk.
- b. Be slow, careful and aware of surroundings when opening top bunk.
- c. Do not horseplay. Beds are to be slept on only.



WARNING

To help prevent serious or fatal injuries due to entrapment or falls

- Never allow a child under 6 on upper bunk.
- Use only Twin/Twin XL size mattress on upper bunk.
- Ensure mattress thickness doesn't exceed 6", and that mattress surface at least 5" below upper edge of guard rails



WARRANTY

RETAIL RESIDENTIAL TERM

Lifetime guarantee on hardware.
5 year structural guarantee on cabinetry.

COMMERCIAL TERM

Lifetime guarantee on hardware.
2 year structural guarantee on cabinetry.



www.multimobeds.com