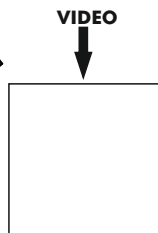
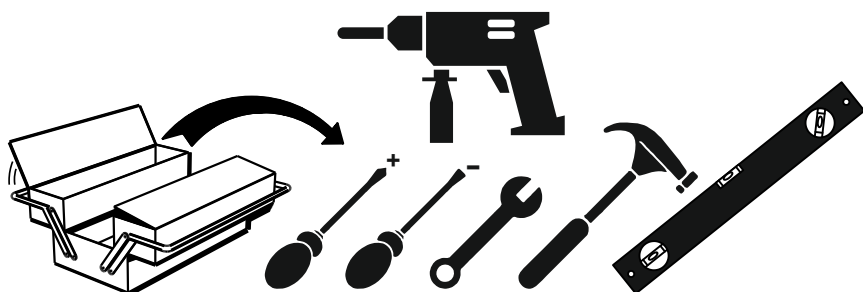
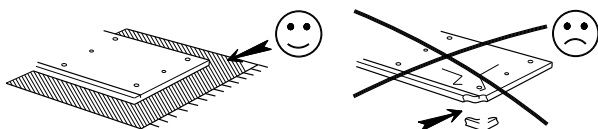
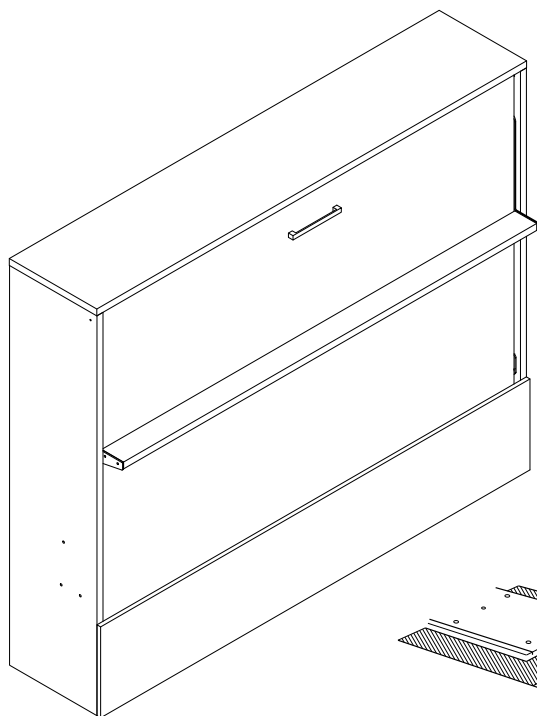




MULTIMO

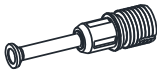


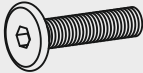
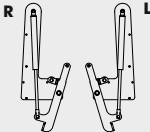
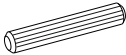



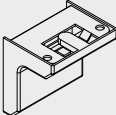
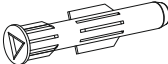
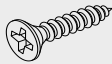
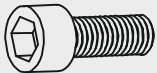
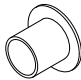


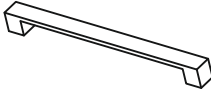

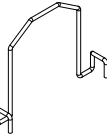


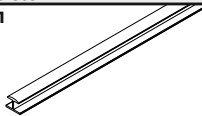

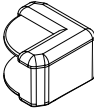
A 211 SPAZIO QUEEN

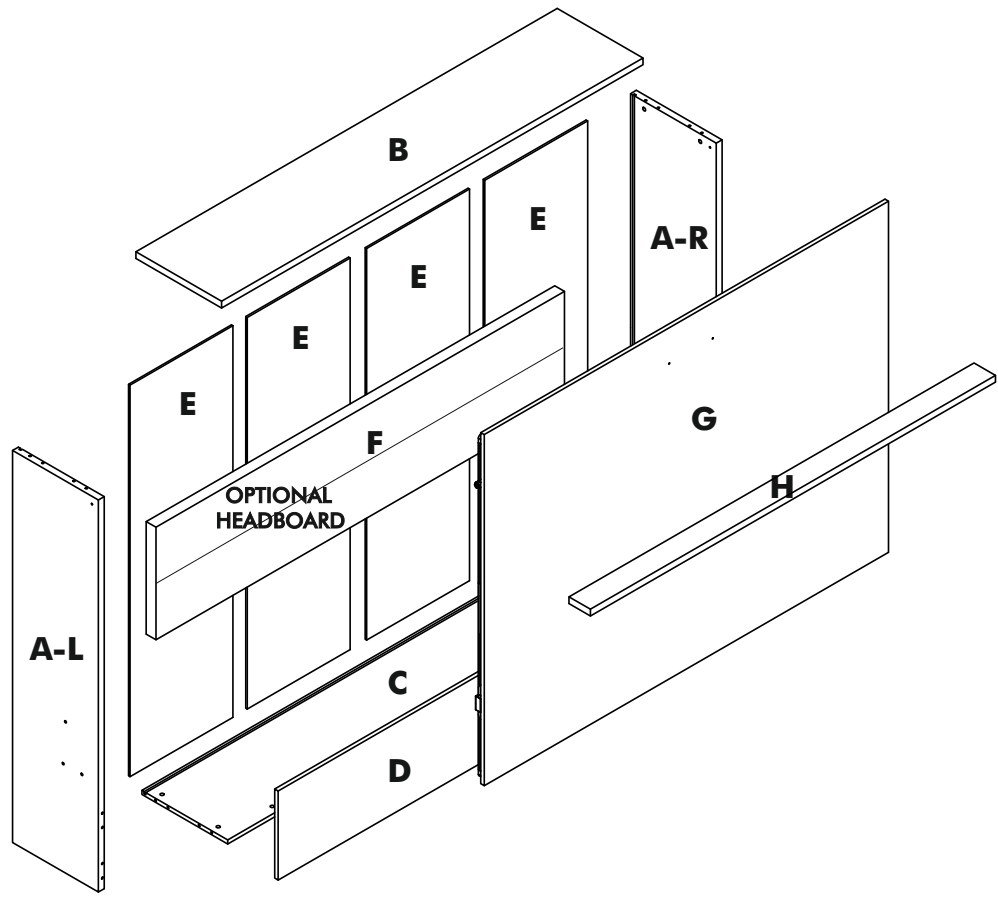


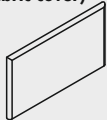
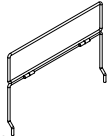

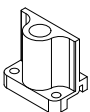
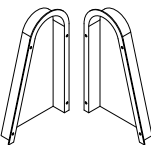
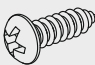


Assembly Instructions

Track Title	Piece	(inch)			(mm)			
		Thickness	Length	Width	Piece	Thick	Height	Most
A		1,18	68,58	17,32	2	30	1742	440
B		1,18	85,12	17,32	1	30	2162	440
C		0,71	82,68	17,32	1	18	2100	440
D		0,71	85,04	15,59	1	18	2160	396
E		0,31	68,50	20,79	4	8	1740	528
F (OPTIONAL HEADBOARD)		1,97	82,52	22,44	1	50	2096	570
G		0,71	81,65	61,42	1	18	2074	1560
H		1,18	81,81	4,33	1	30	2078	110

Accessories List

MNX 02  16 / piece	MNG - 01  16 / piece	OT-054  2 / piece	CT - 01 (6x40) mm  2 / piece
MKZ - 03  1 / piece	KVL 01  16 / piece	VDA - 01 (6,5x50) mm  4 / piece	VD - 02 (3,5x25) mm  26 / piece
VD - 01(6X70) mm  2 / piece	DSE - 02  2 / piece	DD - 01 (R10)  2 / piece	VD - 03 (3,5x18) mm  4 / piece
IM - 01 (6x30) mm  6 / piece	OT-056D  2 / piece	TAP - 01  16 / piece	TAP - 02  4 / piece
KP - 01 (224) mm  1 / piece	VKP - 01 (22) mm  2 / piece	TTC 01  3 / piece	SC - 92  2 / piece
SG - 01  2 / piece	H 01  3 / piece	AVT - 01  10 / piece	KKS - 01  2 / piece

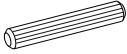


<p>KLF 02 (fabric cover)</p>  <p>2 / piece</p>	<p>KOR 02</p>  <p>2 / piece</p>	<p>YSB - 02 (4x20) mm</p>  <p>8 / piece</p>	<p>KBP - 01</p>  <p>4 / piece</p>
<p>KMT-01</p>  <p>1 / piece</p>	<p>VTB - 02 (4,2x16) mm</p>  <p>8 / piece</p>	<p>AL - 01 (4MM)</p>  <p>1 / piece</p>	<p>AL - 02 (5MM)</p>  <p>1 / piece</p>

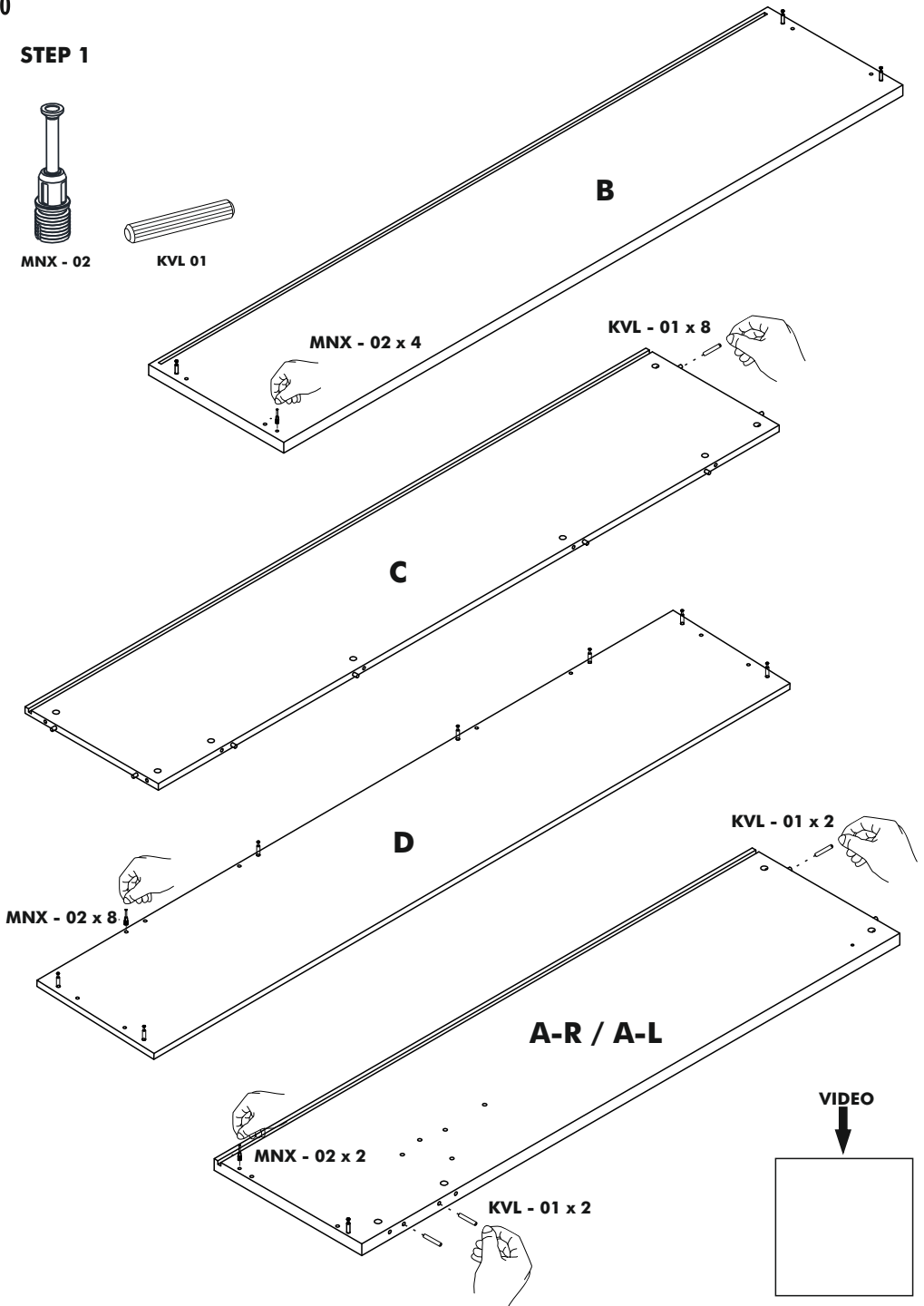
STEP 1



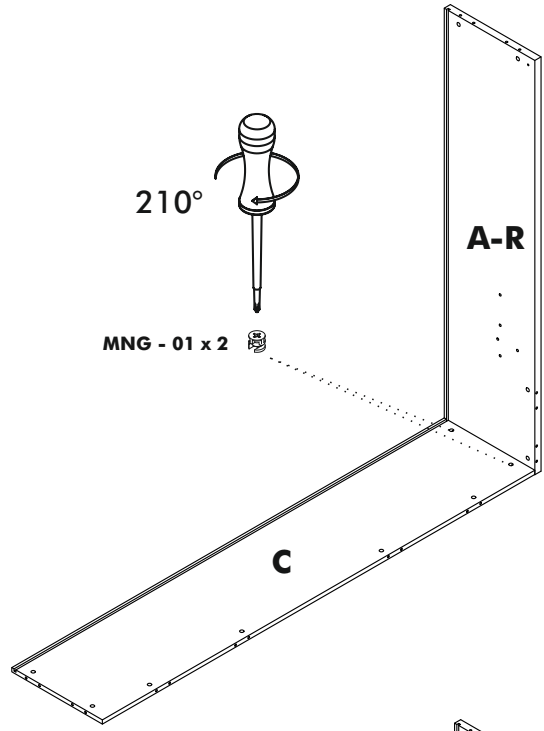
MNX - 02



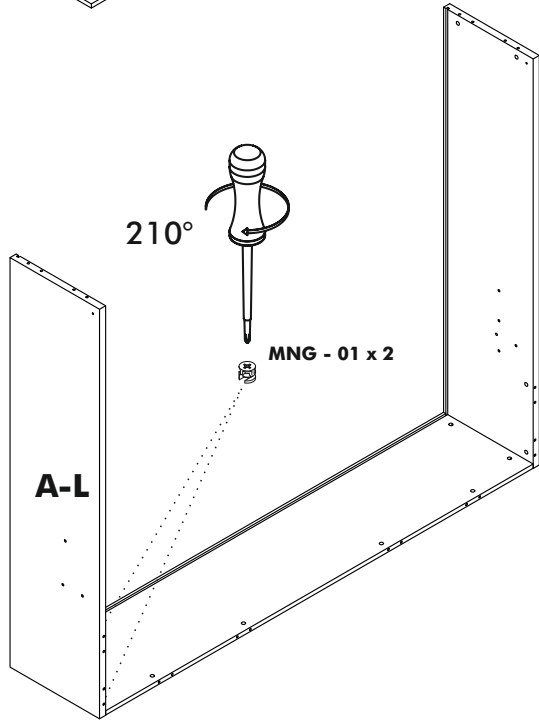
KVL 01



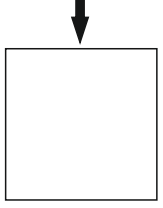
STEP 2



STEP 3

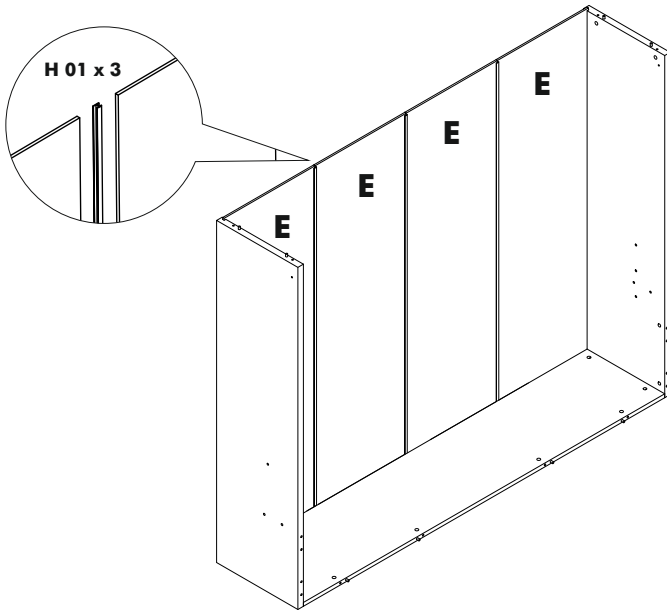


VIDEO

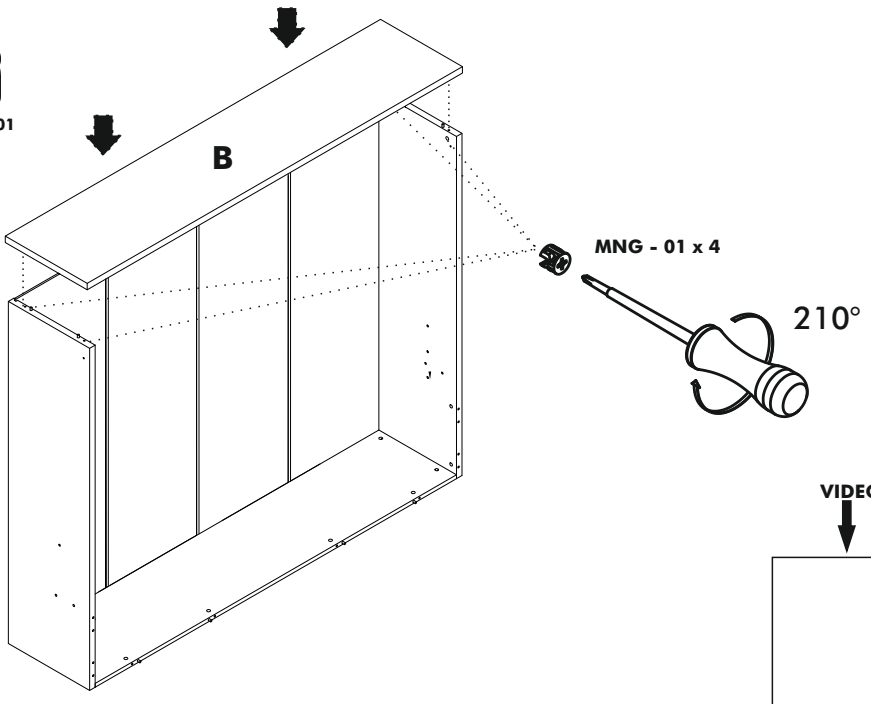


link

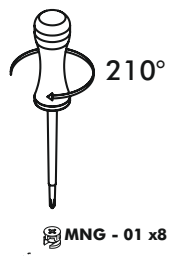
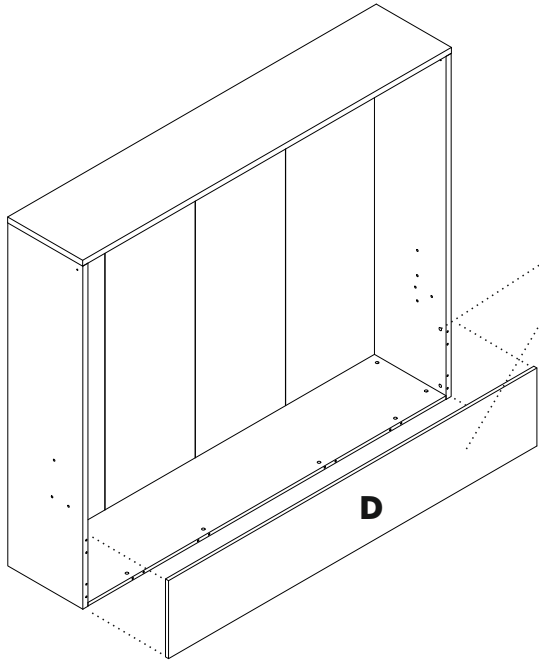
STEP 4



STEP 5

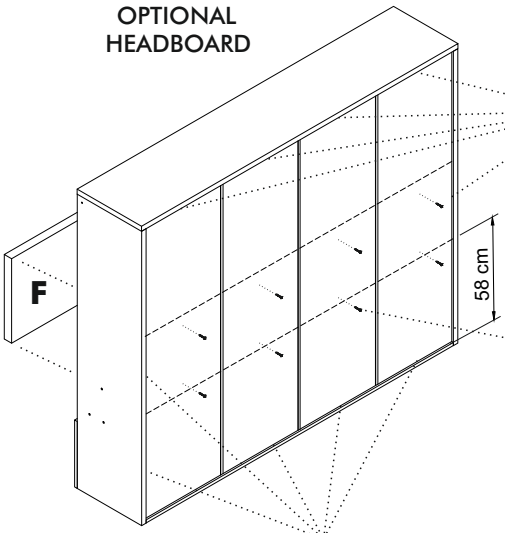


STEP 6

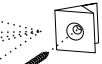


STEP 7

OPTIONAL
HEADBOARD

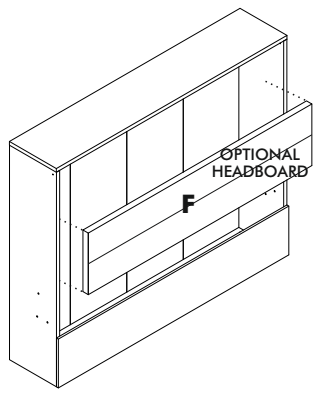


AVT - 01X 5

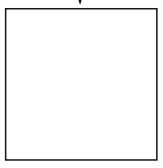


VD - 02 X 5

VD - 02 x 8



VIDEO



link



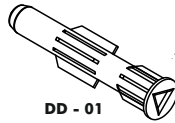
ATTENTION!!!

Must be secured to the wall made of brick, concrete or similarly strong material.
Mounting to wooden or metal studs is also acceptable.

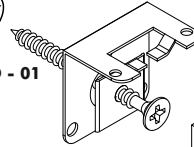
Do not mount directly to sheetrock or paper-mache type walls not supported by studs.

STEP 8

Ø 10 mm / 0,254 inch

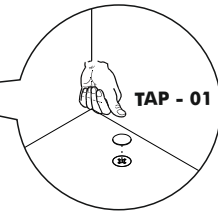
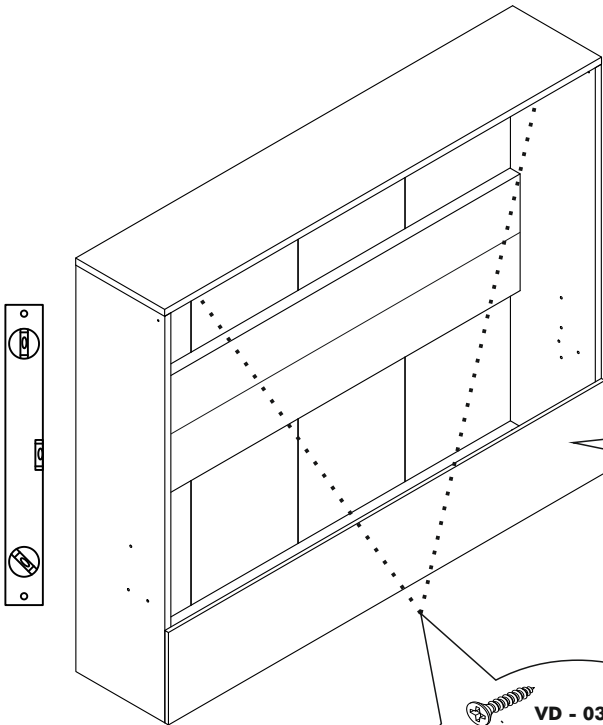
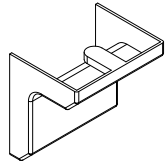


DD - 01

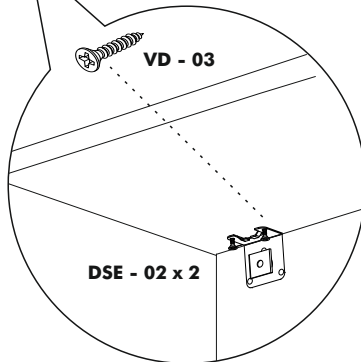


VD - 01

DSE - 02



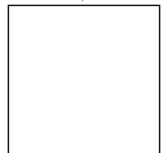
TAP - 01



VD - 03

DSE - 02 x 2

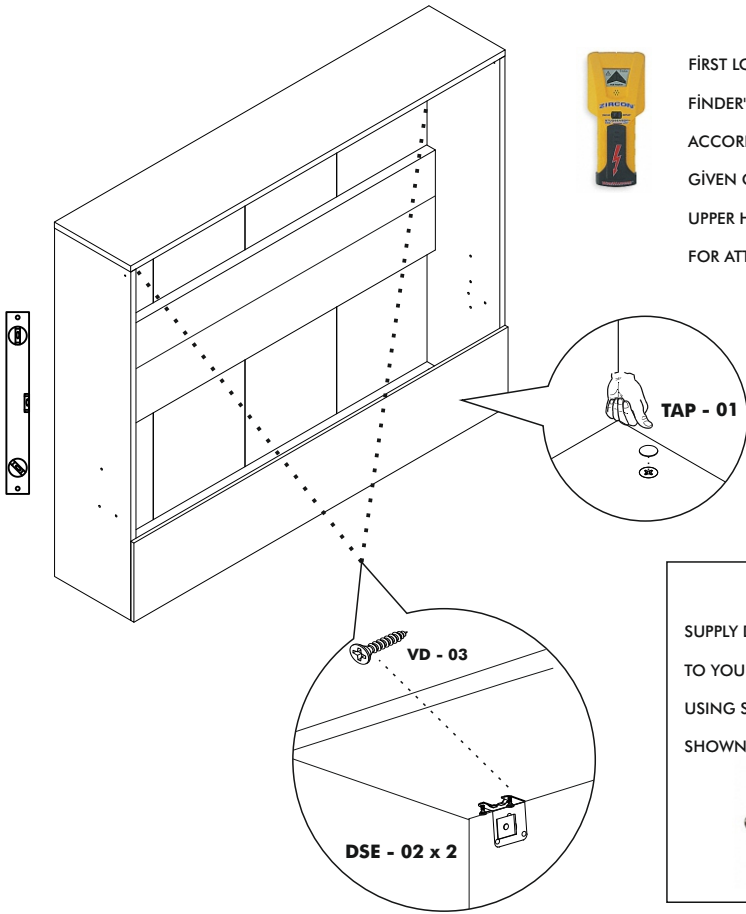
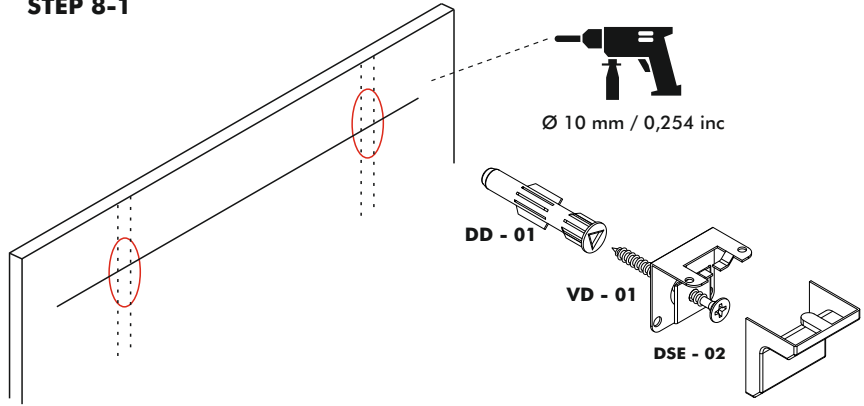
VIDEO



link

WALLS MADE OF DRYWALL WITH WOODEN OR METAL STUDS


STEP 8-1



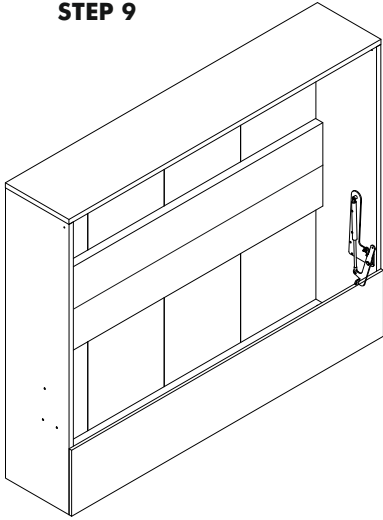
FIRST LOCATE THE STUDS BY USING "STUD FINDER" IN THE WALL AND DRILL IT ACCORDING TO THE HEIGHT MEASUREMENTS GIVEN ON THE SIDE. UPPER HOLES SHOULD BE DRILLED FOR ATTACHING BED AT NEXT STEP.

NOT INCLUDED

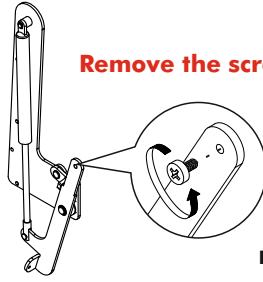
SUPPLY DRYWALL FASTENERS APPROPRIATE TO YOUR WALL TYPE. WE RECOMMEND USING STEEL TOGGLE BOLT ANCHOR THAT SHOWN BELOW



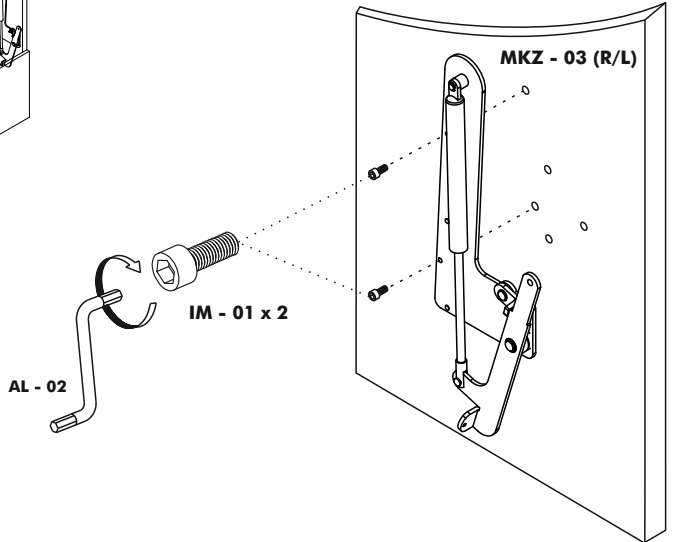
STEP 9



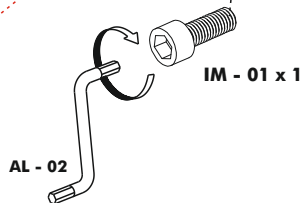
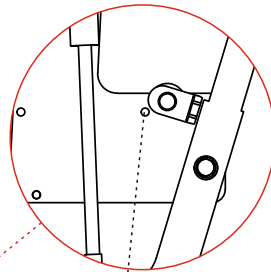
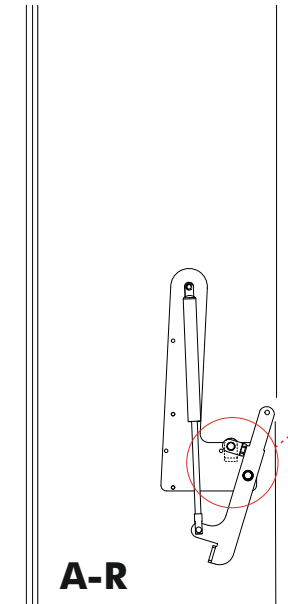
Remove the screw



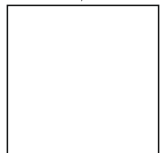
**CAUTION
DO NOT UNLOCK BEFORE INSTALL**



STEP 10

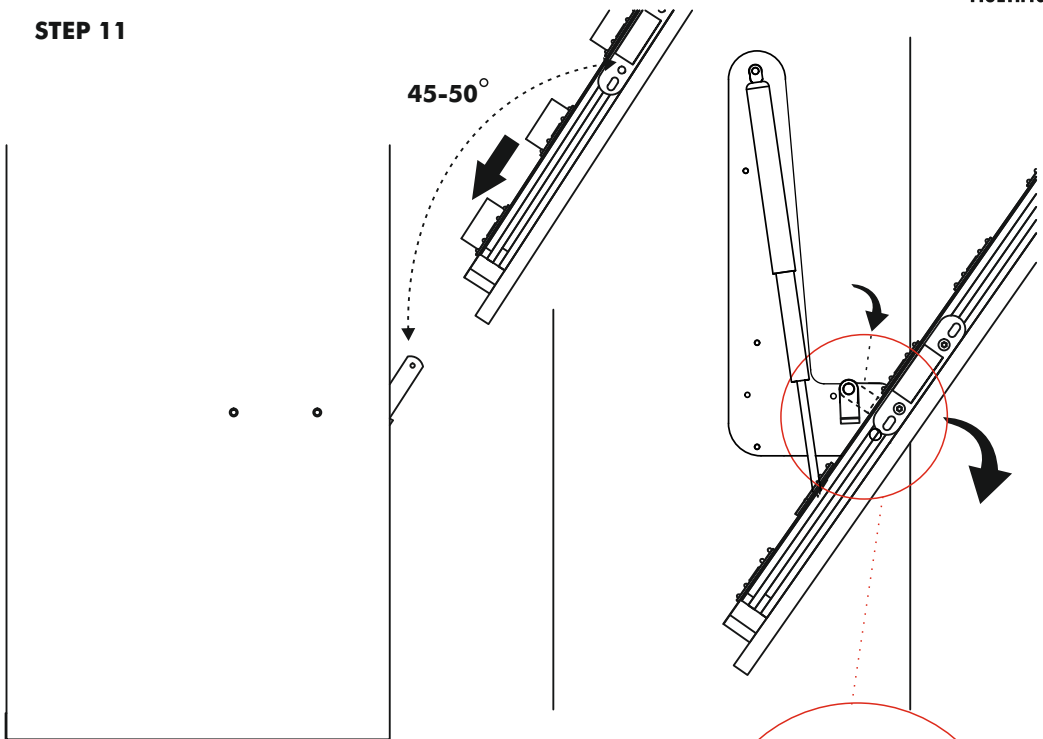


VIDEO

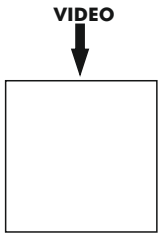
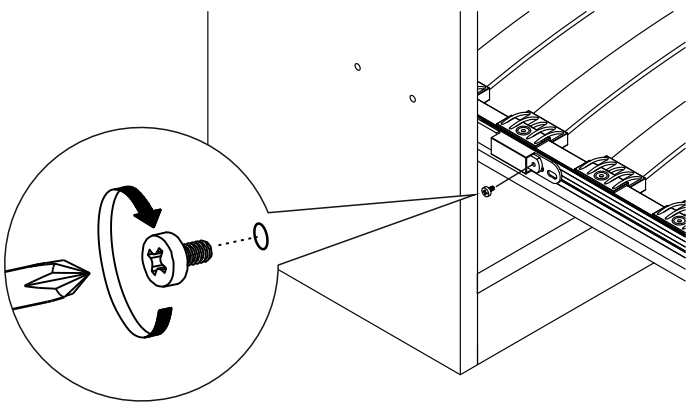
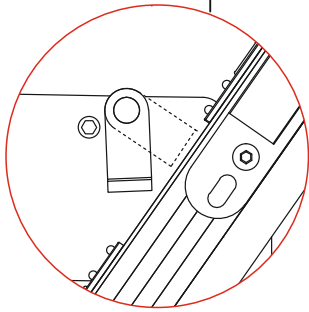


link

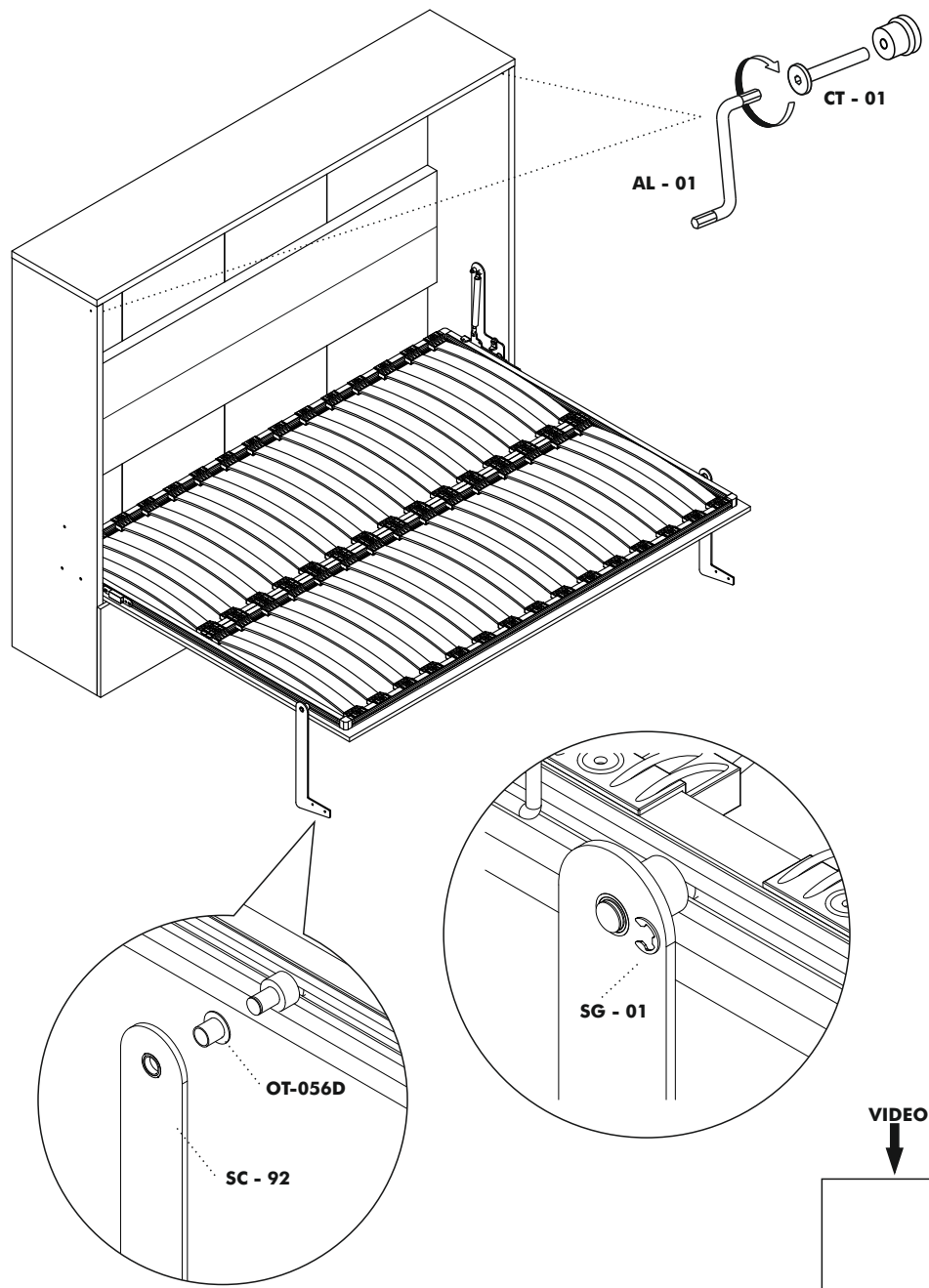
STEP 11



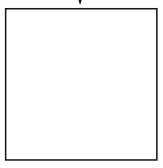
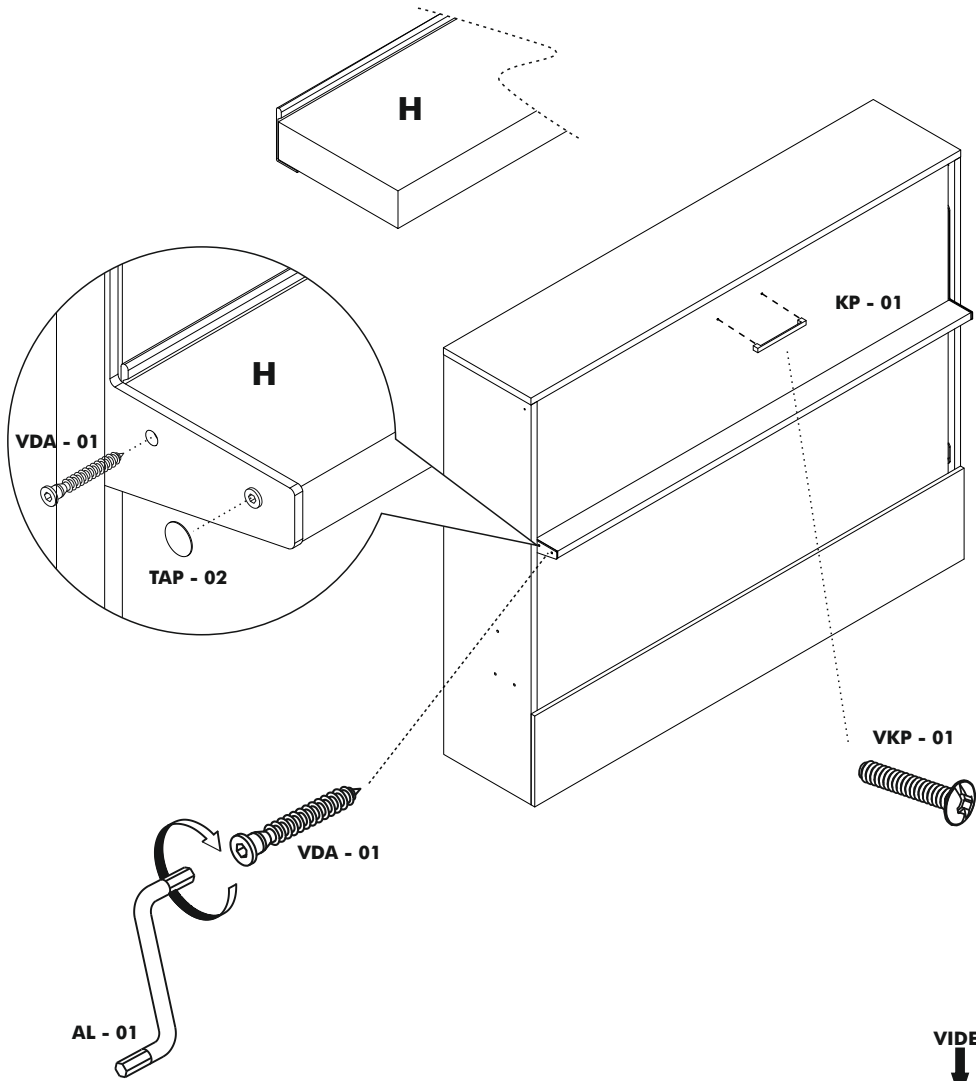
LET THE STOPPER LOCK MOVE DOWN !!!



STEP 12

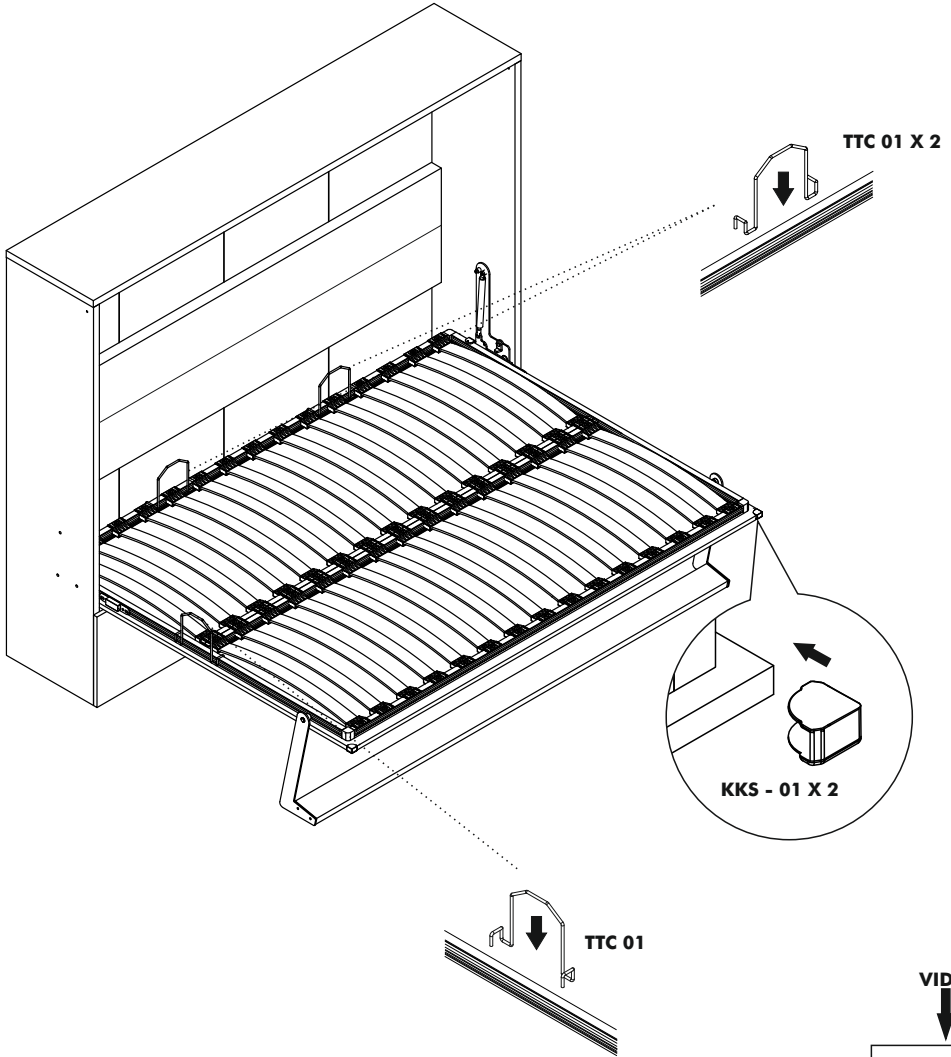


STEP 13

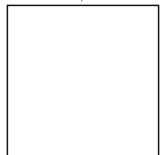


link

STEP 14

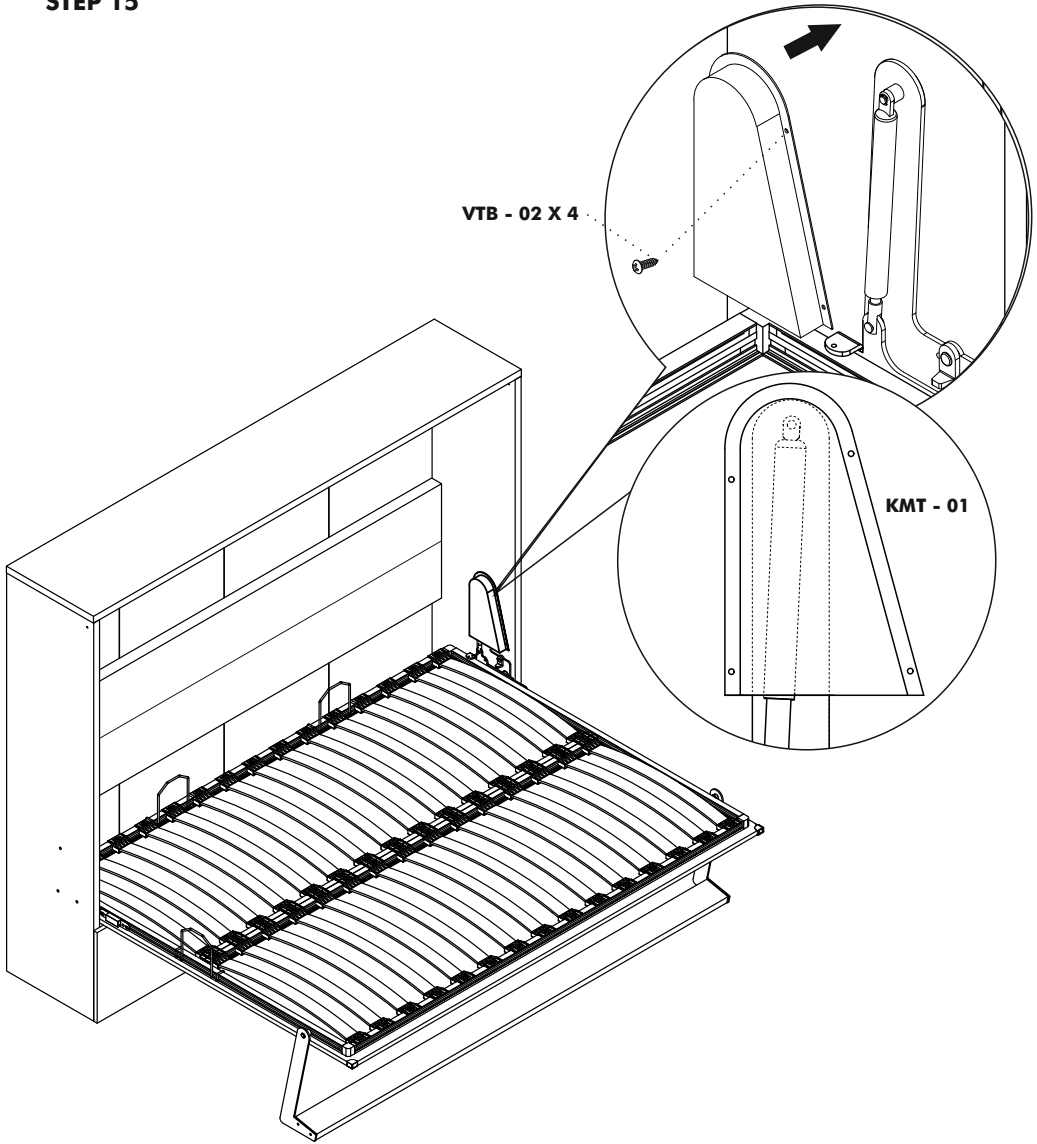


VIDEO

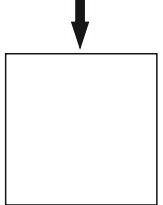


link

STEP 15

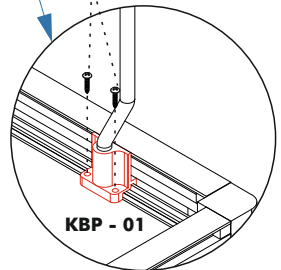
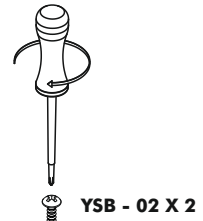
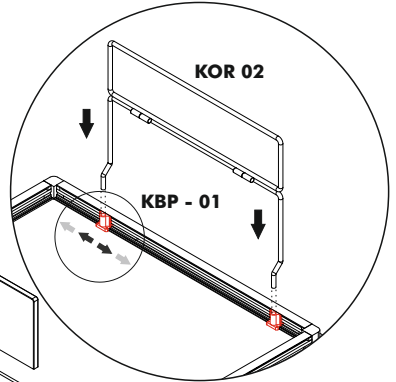
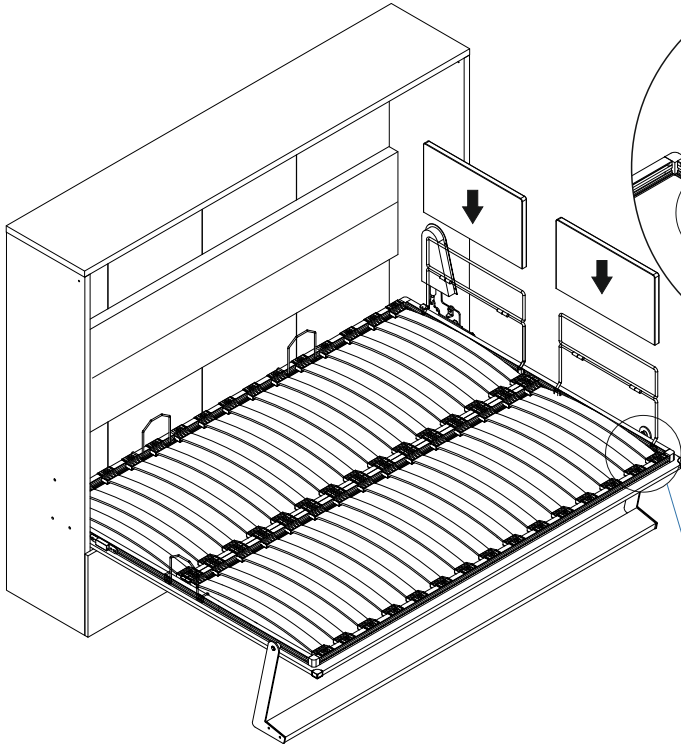
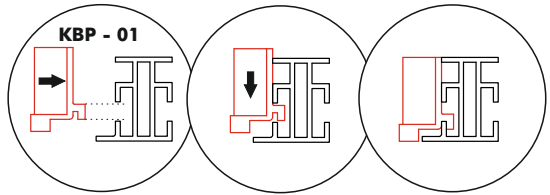


VIDEO

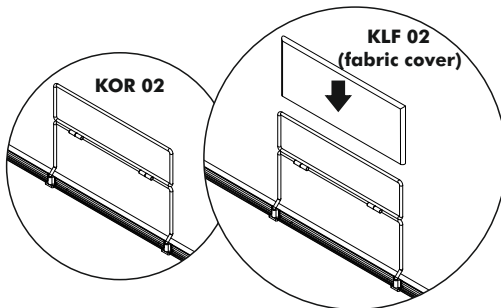


link

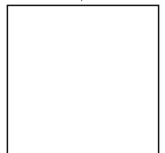
STEP 15



CAUTION !
MAKE SURE THAT HEADBOARDS
AND GUARDRAILS ARE FOLDED
BEFORE CLOSING THE BED

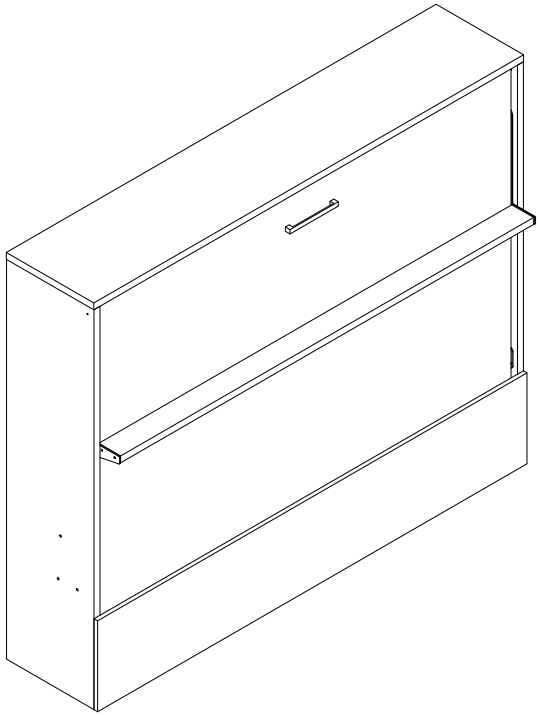


VIDEO

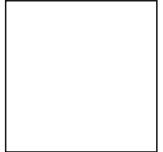


link

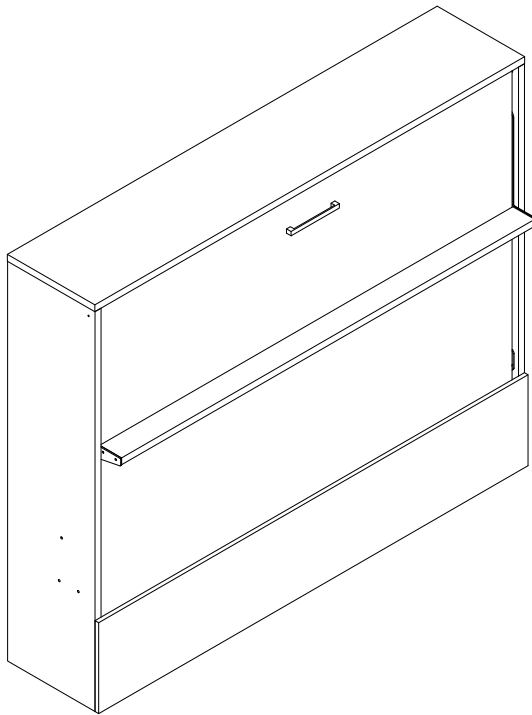
STEP 0



VIDEO



link



1. Wall beds must be securely attached to the wall. Hardware for mounting to concrete, brick or similar strong material is included.
2. When mounting to drywall, wall beds must be attached to wooden or metal studs in 2 or 3 points. Do not mount wall beds directly to drywall or paper-mache type wall without properly attaching it to studs. Please choose appropriate fasteners for the type of wall the bed will be mounted on. Drywall mounting hardware is not included.
3. For safety and product longevity you must periodically inspect the integrity and tightness of the mounting and mechanical connections. Confirm hardware remains properly affixed and connections are snug.
4. Do not lean or rest heavy objects on sides or top of furniture. This may cause balance issues and compromise the integrity of your mounting connections.
5. Please use wall beds and integrated shelves, desks and sofas as intended. Do not jump and/or exceed supported weight limits. Do not sit or lean on integrated shelves and desks. Improper use may cause personal injury and damage to property.
6. With seasonal humidity change please inspect the interior and exterior of the furniture for deformation and/or discoloration.
7. Before any un-mounting or disassembly please contact Multimo Beds for technical support and instructions. Failure to properly detach may result in personal injury and damage to property.



WARNINGS

IMPORTANT! HAZARD WARNING!

All Wall Beds contain sophisticated and powerful lifting mechanism. Failure to follow assembly and installation instructions may result in **severe personal injury and damage of the product.**

SECURE RIGIDLY TO A WALL!

Improper attaching wall bed to a wall will create a tip-over hazard and may result in severe personal injury or even death. **ONLY qualified installers should install or remove a wall bed.**



WARRANTY

RETAIL RESIDENTIAL TERM

Lifetime guarantee on hardware.
5 year structural guarantee on cabinetry.

COMMERCIAL TERM

Lifetime guarantee on hardware.
2 year structural guarantee on cabinetry.



www.multimobeds.com