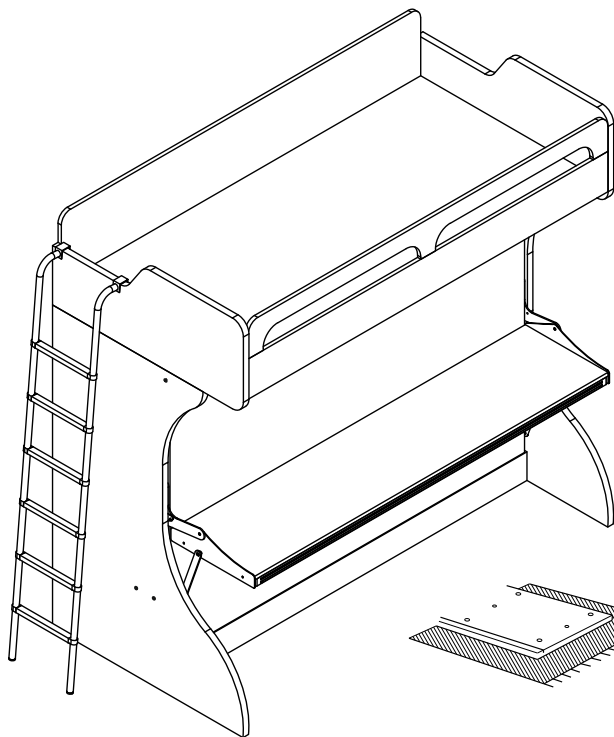




# MULTIMO

## A 212-2 CASTELLO



**4** hours



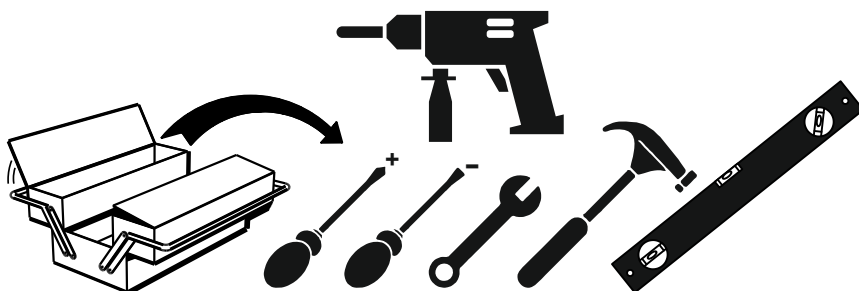
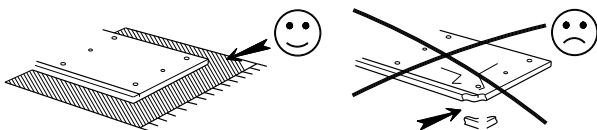
Technical Service



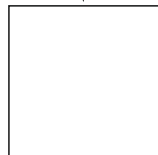
**8** hours



End User



VIDEO

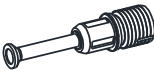

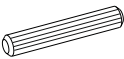
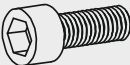
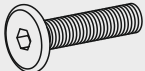
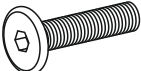
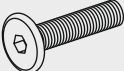




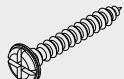
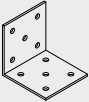





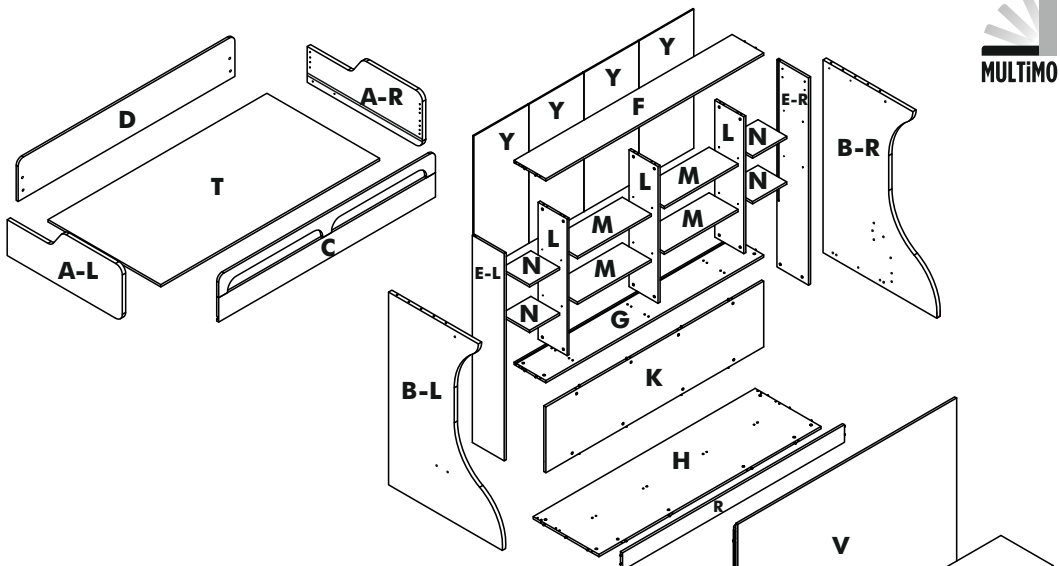
link

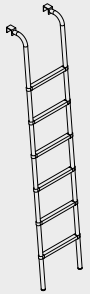
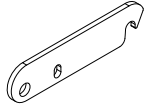

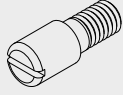
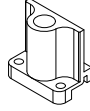

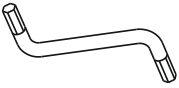
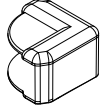
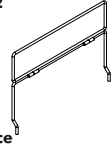
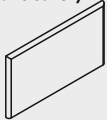
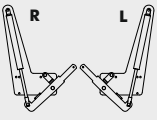
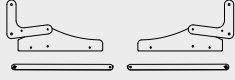
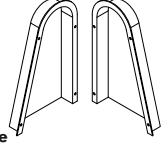

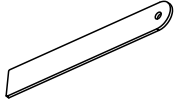
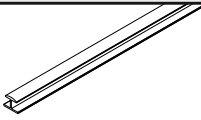
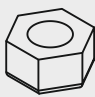



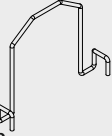
Assembly Instructions

Track Title	Piece	(inch)			(mm)			
		Thickness	Length	Width	Piece	Thick	Height	Most
<b>A</b>	2	1,18	16,85	40,91	2	30	428	1039
<b>B</b>	2	1,18	59,96	40,91	2	30	1523	1039
<b>C</b>	1	0,71	77,01	14,17	1	18	1956	360
<b>D</b>	1	0,71	76,93	12,76	1	18	1954	324
<b>E</b>	2	0,71	62,28	11,02	2	18	1582	280
<b>F</b>	1	0,71	75,59	11,02	1	18	1920	280
<b>G</b>	1	0,71	75,59	11,02	1	18	1920	280
<b>H</b>	1	0,71	77,01	22,83	1	18	1956	580
<b>K</b>	1	0,71	75,59	19,76	1	18	1920	502
<b>L</b>	3	0,71	41,10	10,24	3	18	1044	260
<b>M</b>	4	0,71	25,59	10,04	4	18	650	255
<b>N</b>	4	0,71	11,14	10,04	4	18	283	255
<b>R</b>	1	0,71	77,01	5,31	1	18	1956	135
<b>S</b>	1	0,71	75,75	17,87	1	18	1924	454
<b>T</b>	1	0,71	77,72	40,47	1	18	1974	1028
<b>V</b>	1	0,71	75,98	56,89	1	18	1930	1445
<b>Y</b>	4	0,31	41,81	18,98	4	8	1062	482

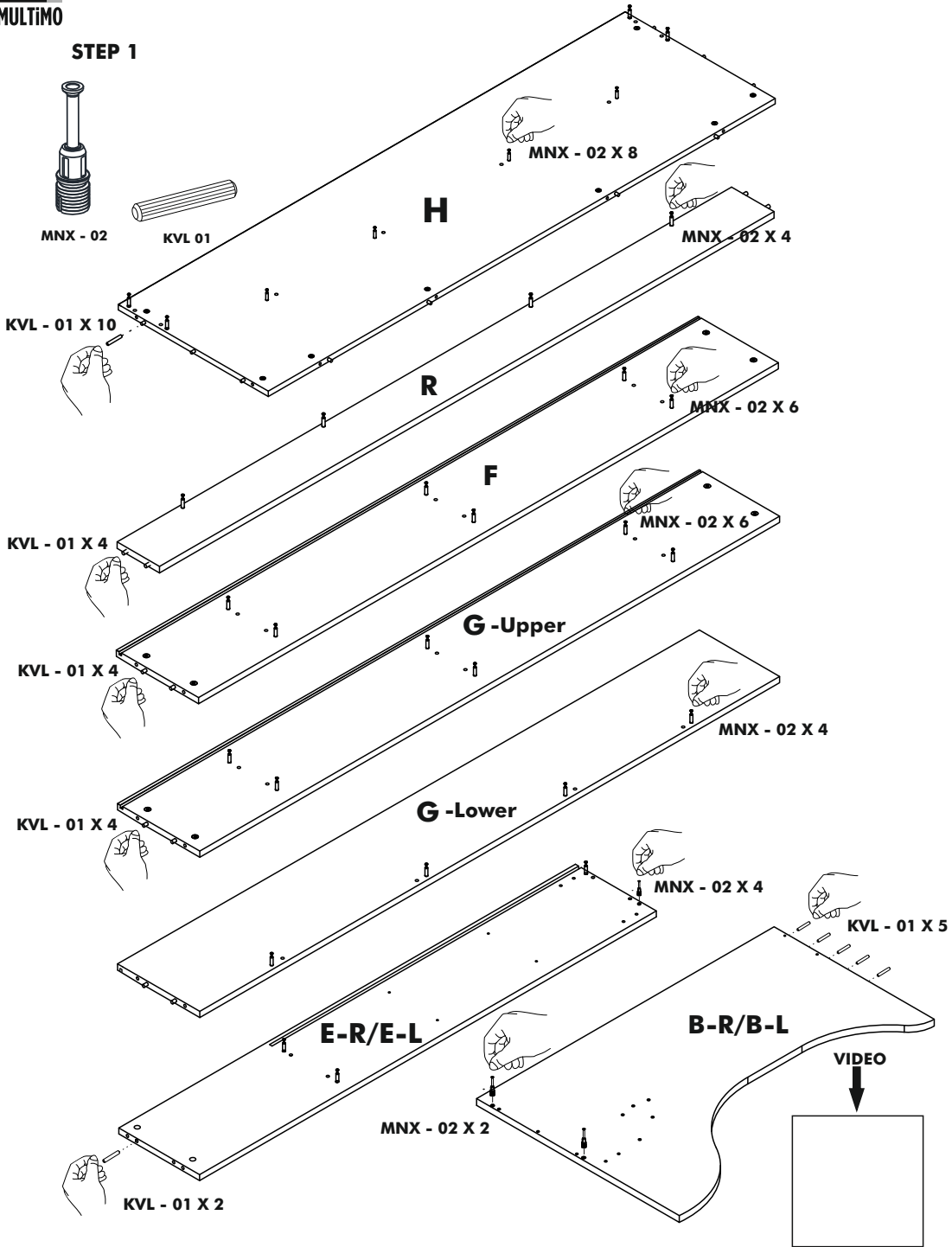
### Accessories List

<b>MXN 02</b>  52 / piece <b>CT - 01 ( 6x40 ) mm</b>	<b>MNG - 01</b>  52 / piece <b>CT - 02 ( 6x30 ) mm</b>	<b>KVL 01</b>  66 / piece <b>CT - 04 ( 6x20 ) mm</b>	<b>IM - 01 (6x30) mm</b>  4 / piece <b>PL - 01 (6x19x1) mm</b>
 6 / piece	 10 / piece	 2 / piece	 4 / piece
<b>TAP - 01</b>  64 / piece	<b>OT-006</b>  3 / piece	<b>SG - 01</b>  2 / piece	<b>VD - 02 (3,5x25) mm</b>  20 / piece
<b>KB - 01</b>  6 / piece	<b>VTB - 01 (4,8x16) mm</b>  48 / piece	<b>PM - 01</b>  32 / piece	<b>OT-054</b>  2 / piece



<b>MRD 04</b>  <b>1 / piece</b>	<b>PLK-07</b>  <b>1 / piece</b>		
<b>AL - 01 (4MM)</b>  <b>1 / piece</b>	<b>OT-076</b>  <b>1 / piece</b>	<b>KBP - 01</b>  <b>2 / piece</b>	<b>YSB - 02 ( 4x20 ) mm</b>  <b>4 / piece</b>
<b>AL - 01 (4MM)</b>  <b>1 / piece</b>	<b>KKS - 01</b>  <b>2 / piece</b>	<b>KOR 02</b>  <b>1 / piece</b>	<b>KLF 02 (fabric cover)</b>  <b>1 / piece</b>
<b>MKZ - 02</b>  <b>2 / piece</b>	<b>SC-132</b>  <b>1 / piece</b>	<b>KMT-01</b>  <b>1 / piece</b>	<b>VTB - 02 (4,2x16) mm</b>  <b>8 / piece</b>
<b>SC-61</b>  <b>2 / piece</b>	<b>H 01</b>  <b>3 / piece</b>	<b>SN - 01 ( M6 )</b>  <b>5 / piece</b>	<b>AVT - 01</b>  <b>10 / piece</b>
<b>VKP - 01 (22) mm</b>  <b>2 / piece</b>	<b>KP - 01 ( 224 ) mm</b>  <b>1 / piece</b>	<b>TTC 01</b>  <b>4 / piece</b>	

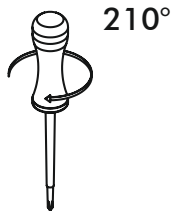
### STEP 1



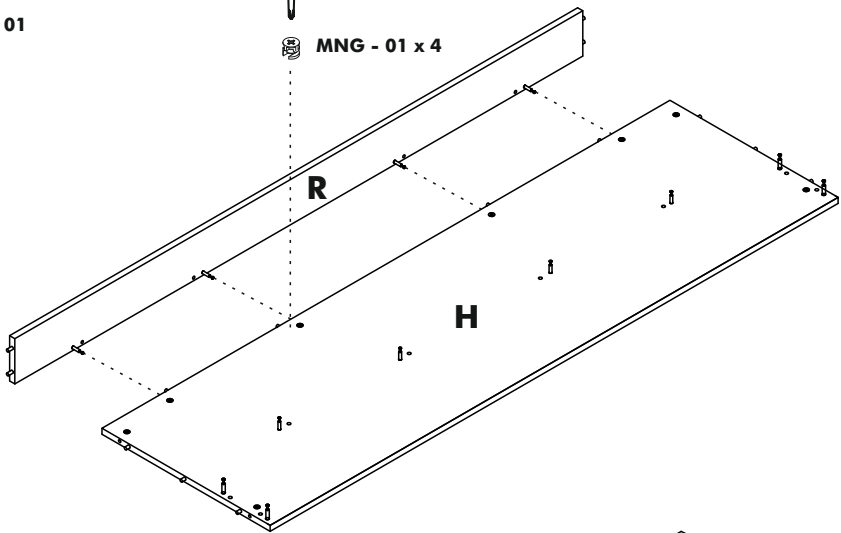
**STEP 2**



MNG - 01



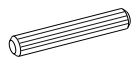
MNG - 01 x 4



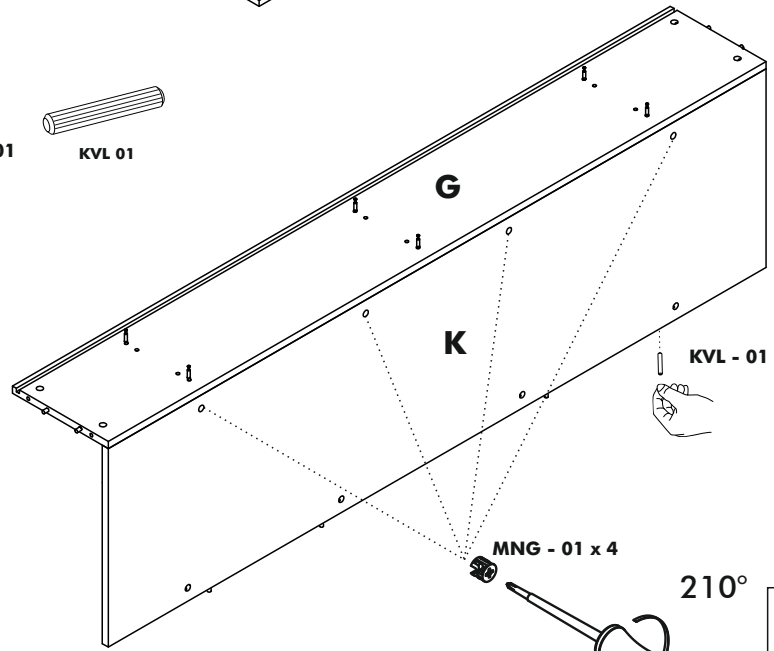
**STEP 3**



MNG - 01



KVL 01

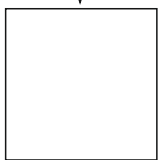


KVL - 01 X 8

MNG - 01 x 4

210°

**VIDEO**



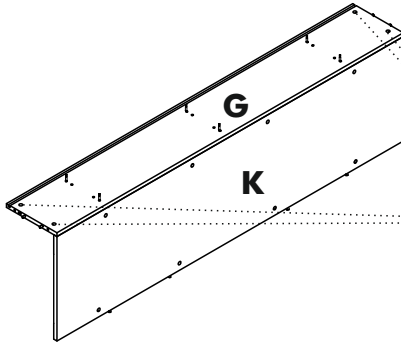
link

**STEP 4**



MNG - 01

E-L

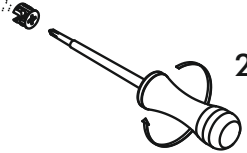


G

K

E-R

MNG - 01 x 4

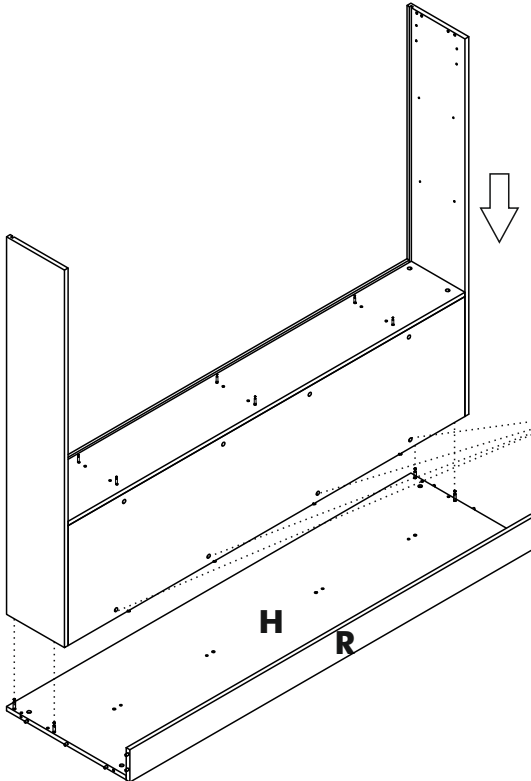


210°

**STEP 5**



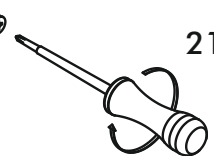
MNG - 01



H

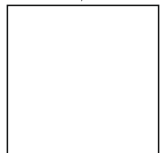
R

MNG - 01 x 4



210°

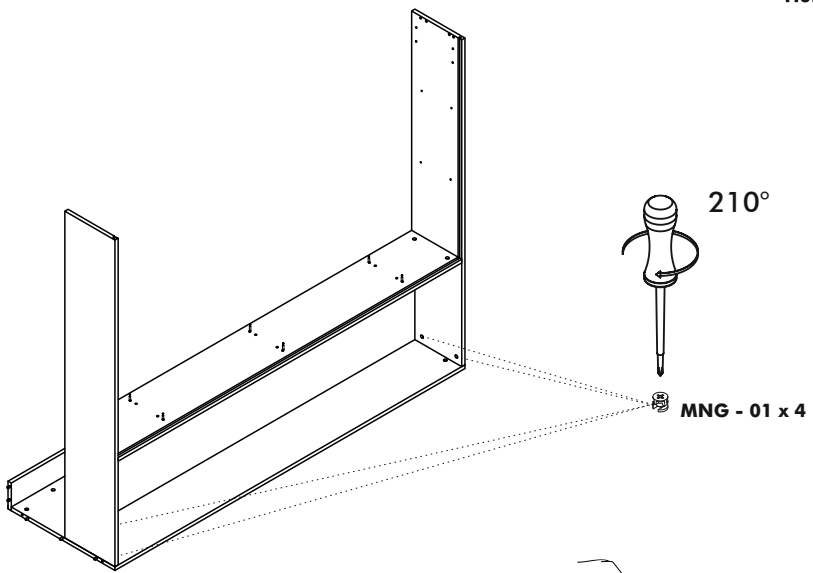
VIDEO



**STEP 6**



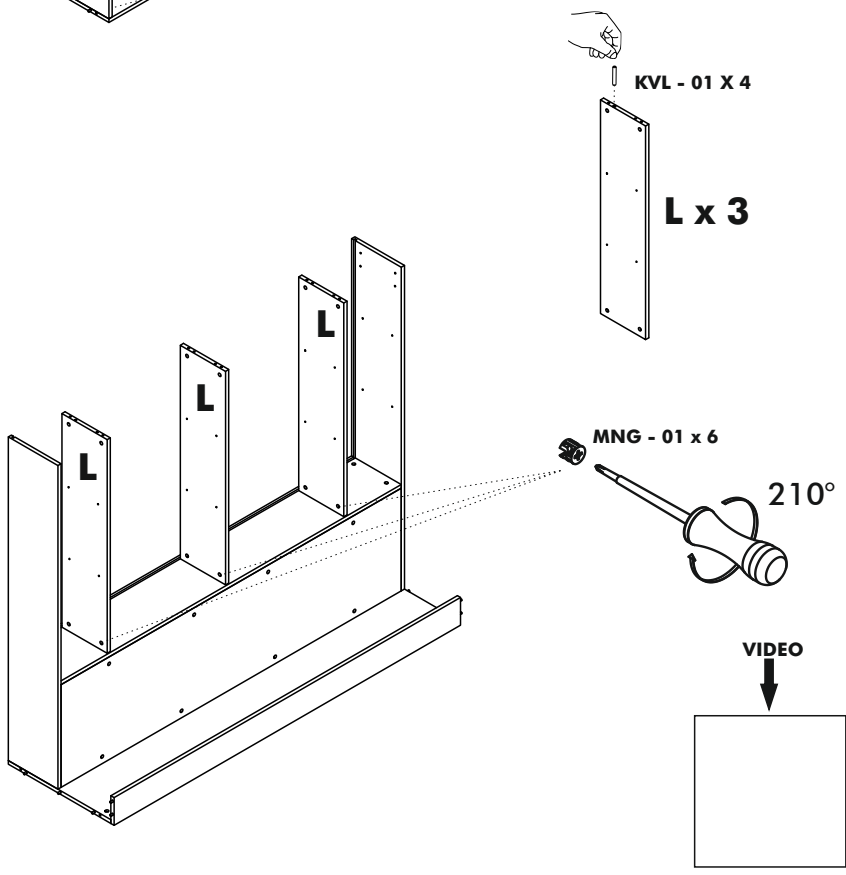
MNG - 01



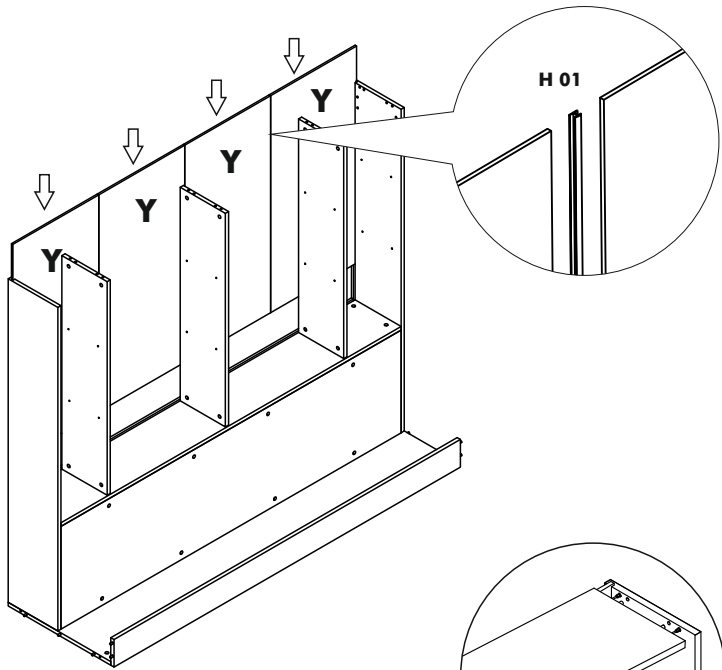
**STEP 7**



MNG - 01



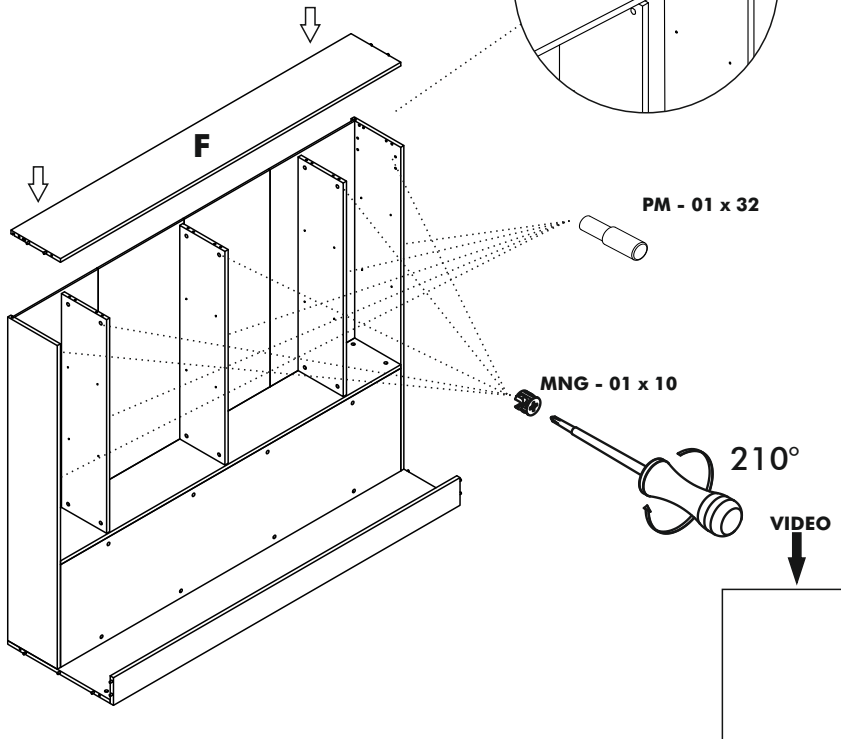
**STEP 8**



**STEP 9**

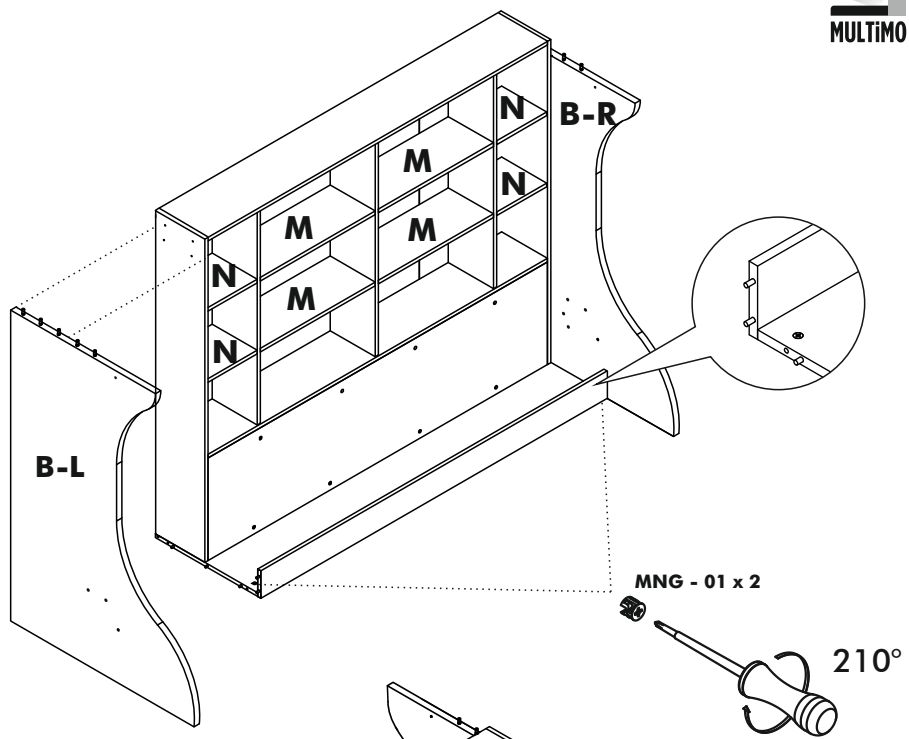


MNG - 01

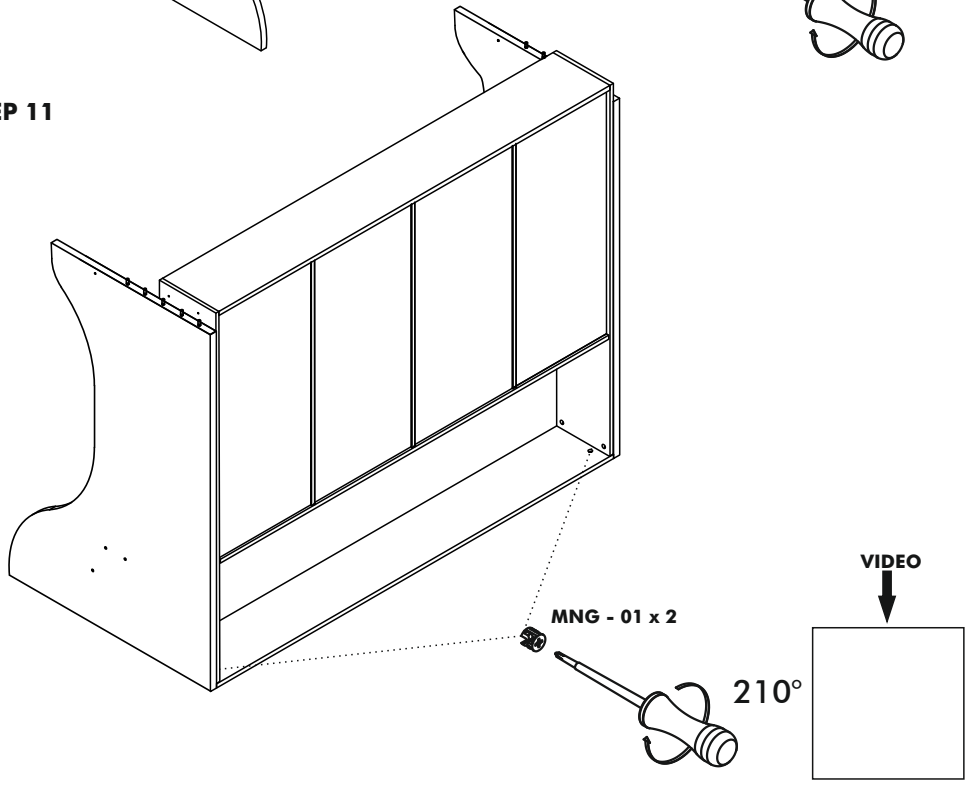




**STEP 10**



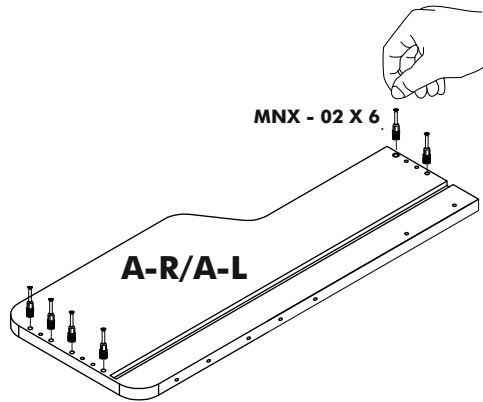
**STEP 11**



**STEP 12**



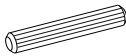
MNX - 02



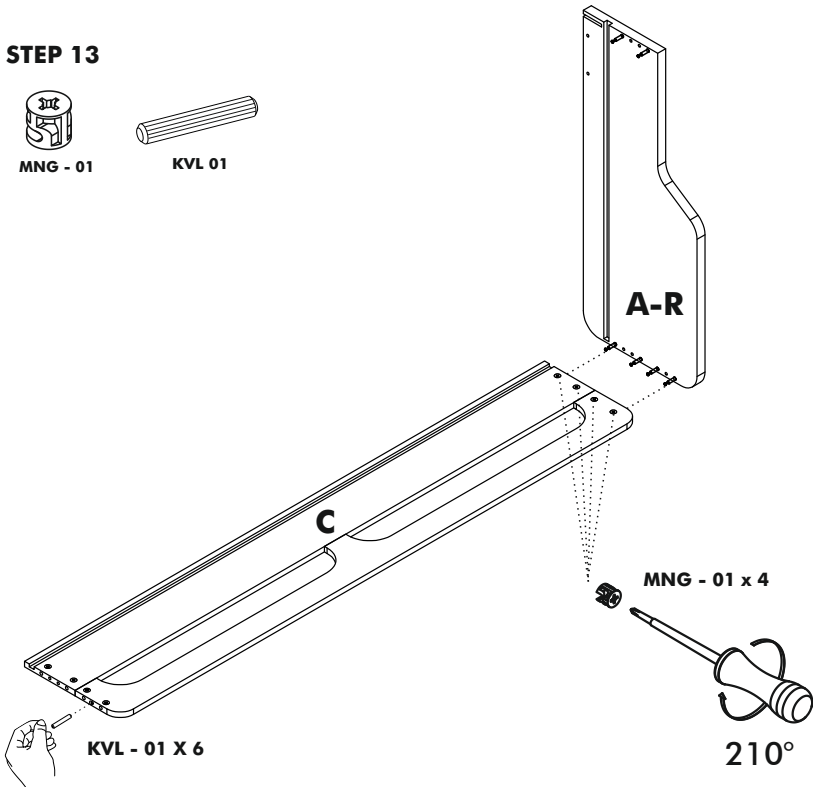
**STEP 13**



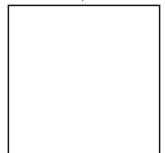
MNG - 01



KVL 01

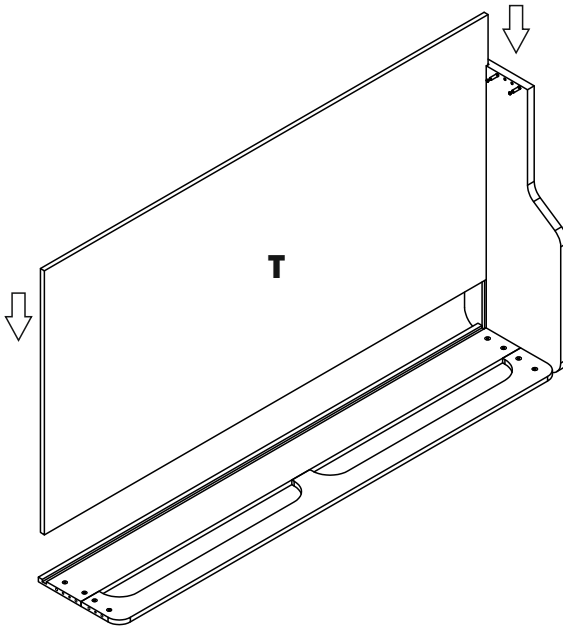


VIDEO



link

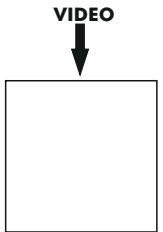
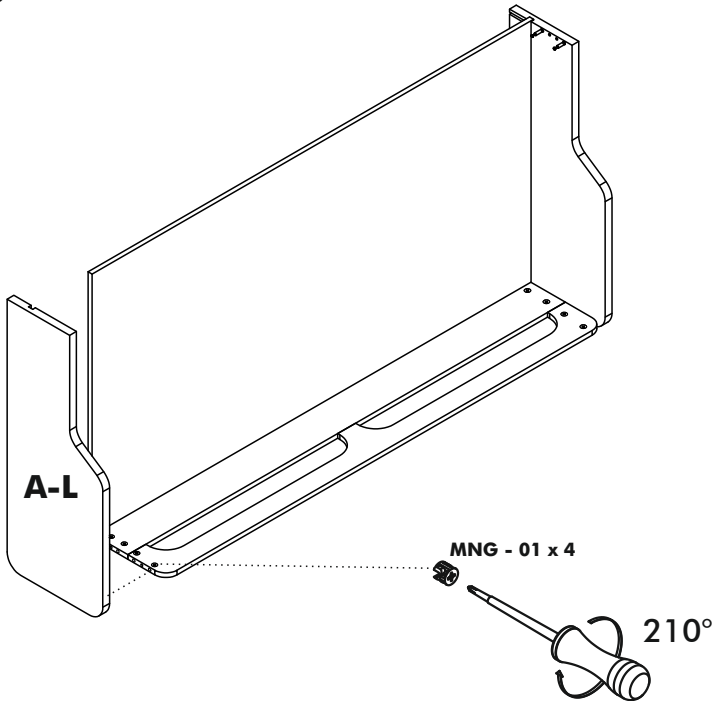
**STEP 14**



**STEP 15**



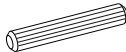
**MNG - 01**



### STEP 16

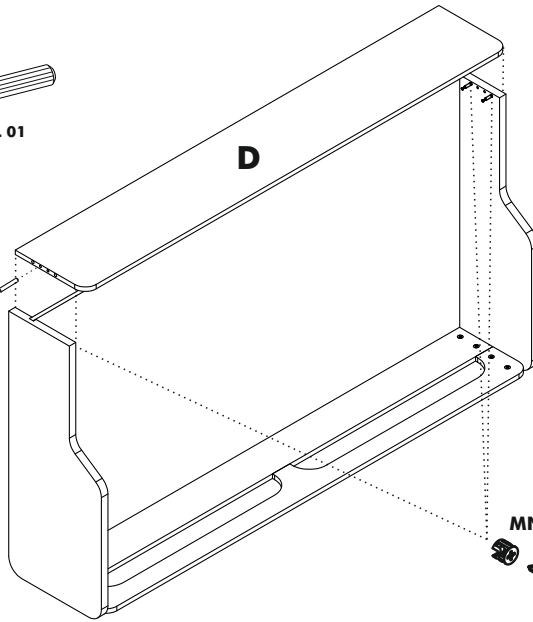


MNG - 01

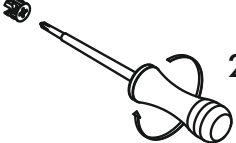


KVL 01

KVL - 01 X 4

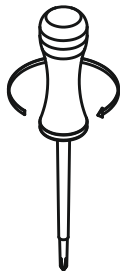


MNG - 01 x 4



210°

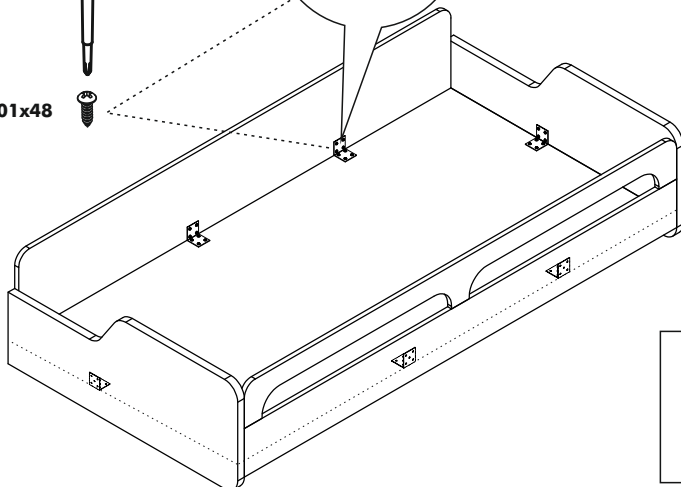
### STEP 17



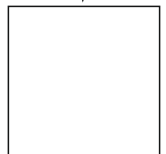
VTB - 01x48



KB - 01

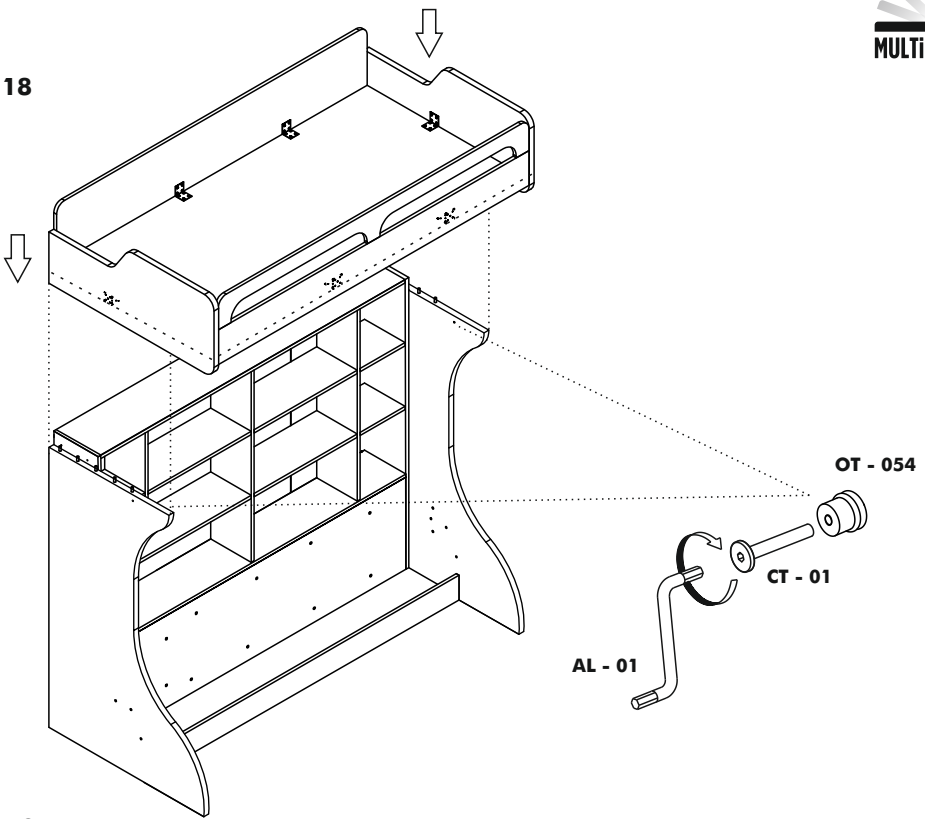


VIDEO

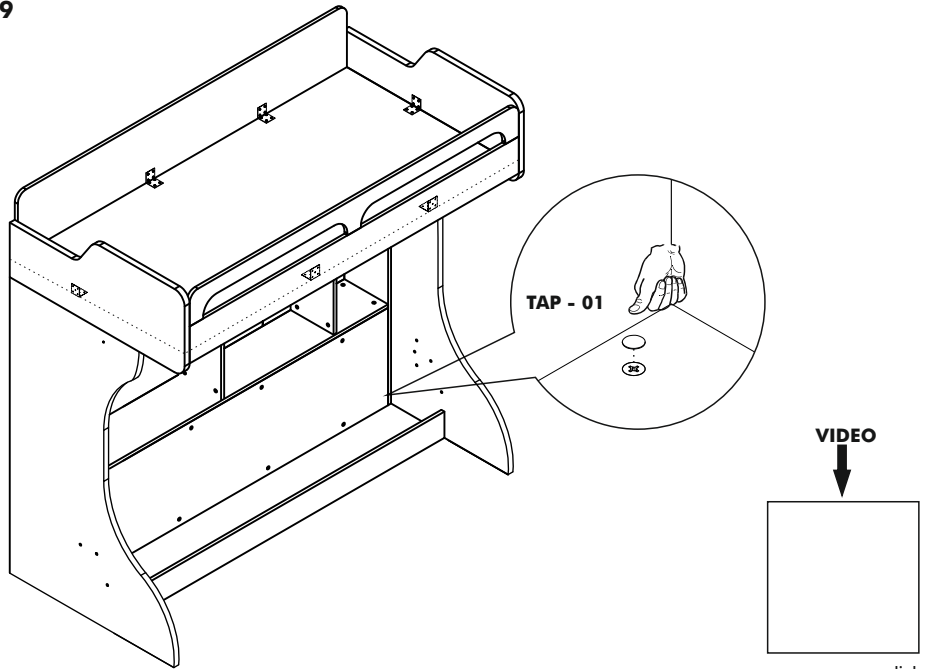


link

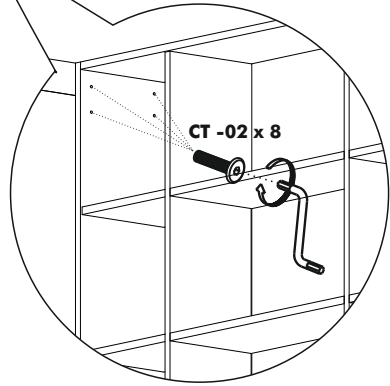
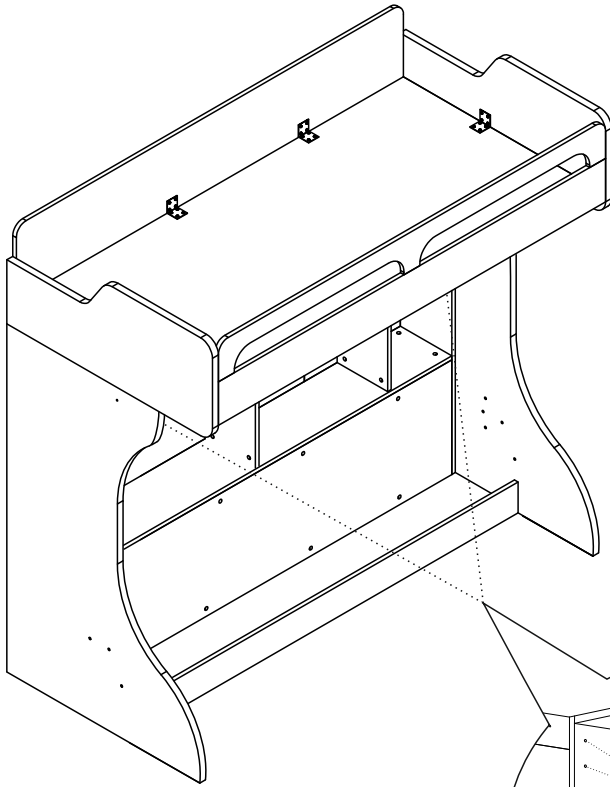
**STEP 18**



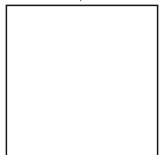
**STEP 19**



STEP 20

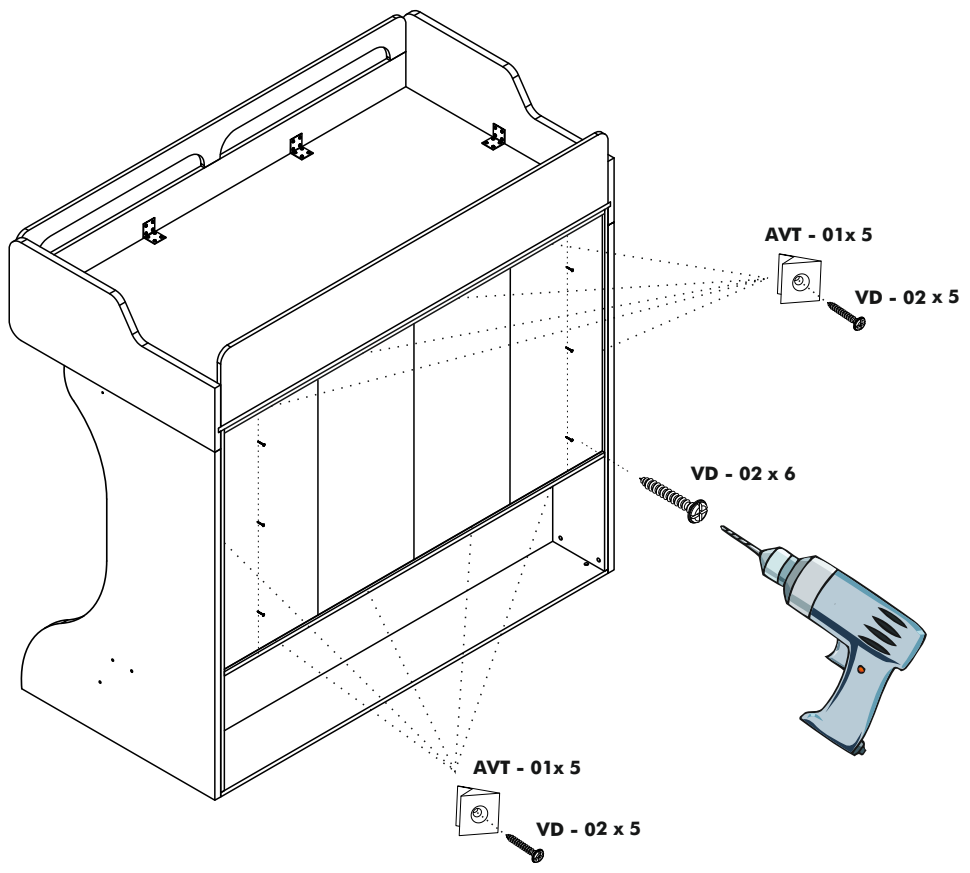


VIDEO

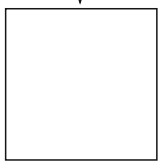


link

**STEP 21**



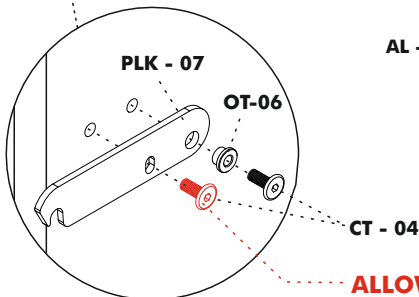
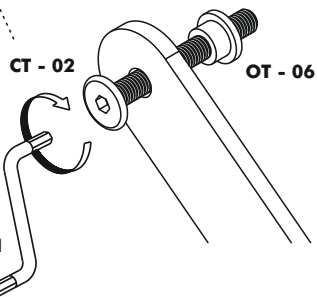
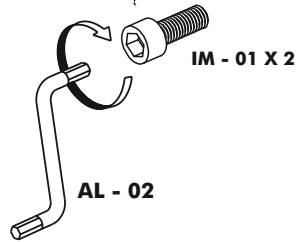
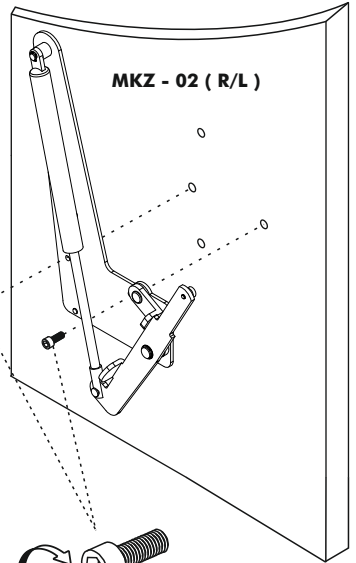
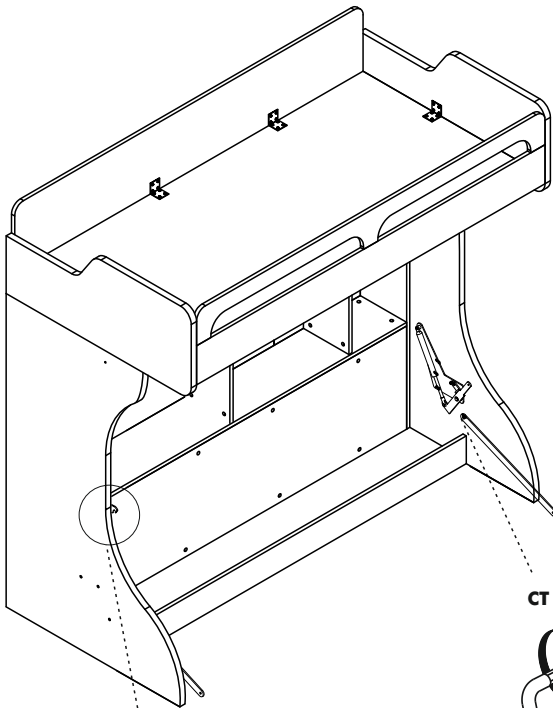
**VIDEO**



link

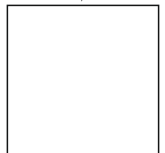
**STEP 22**

**CAUTION**  
**DO NOT UNLOCK BEFORE INSTALL**



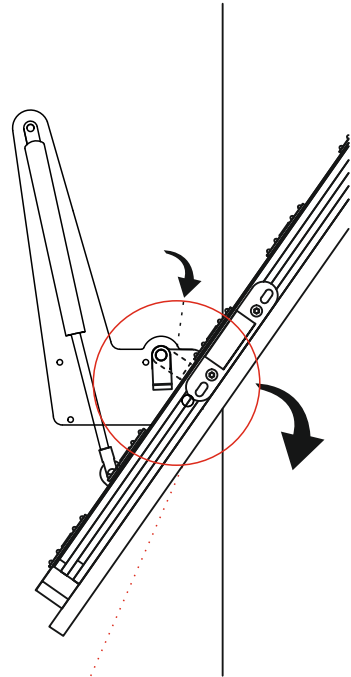
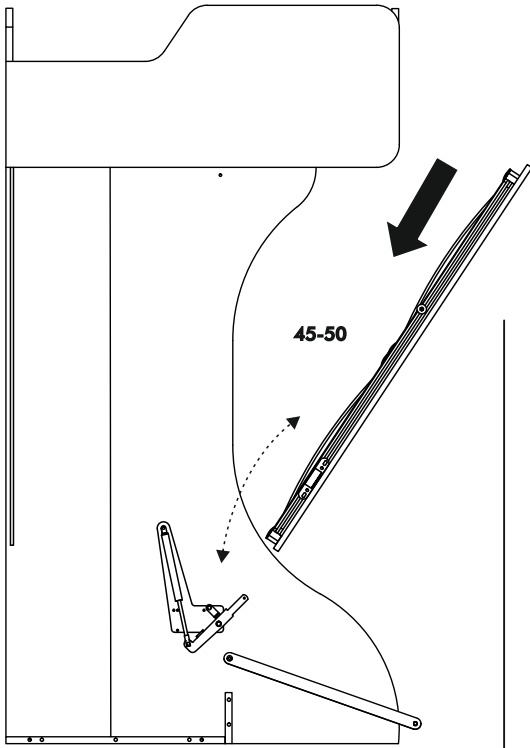
**ALLOW PKL-07 TO MOVE**

**VIDEO**

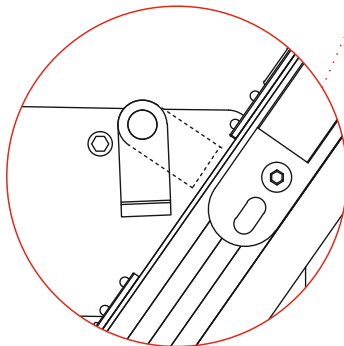




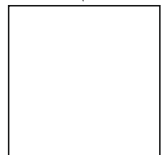
**STEP 23**



**LET THE STOPPER LOCK MOVE DOWN !!!**

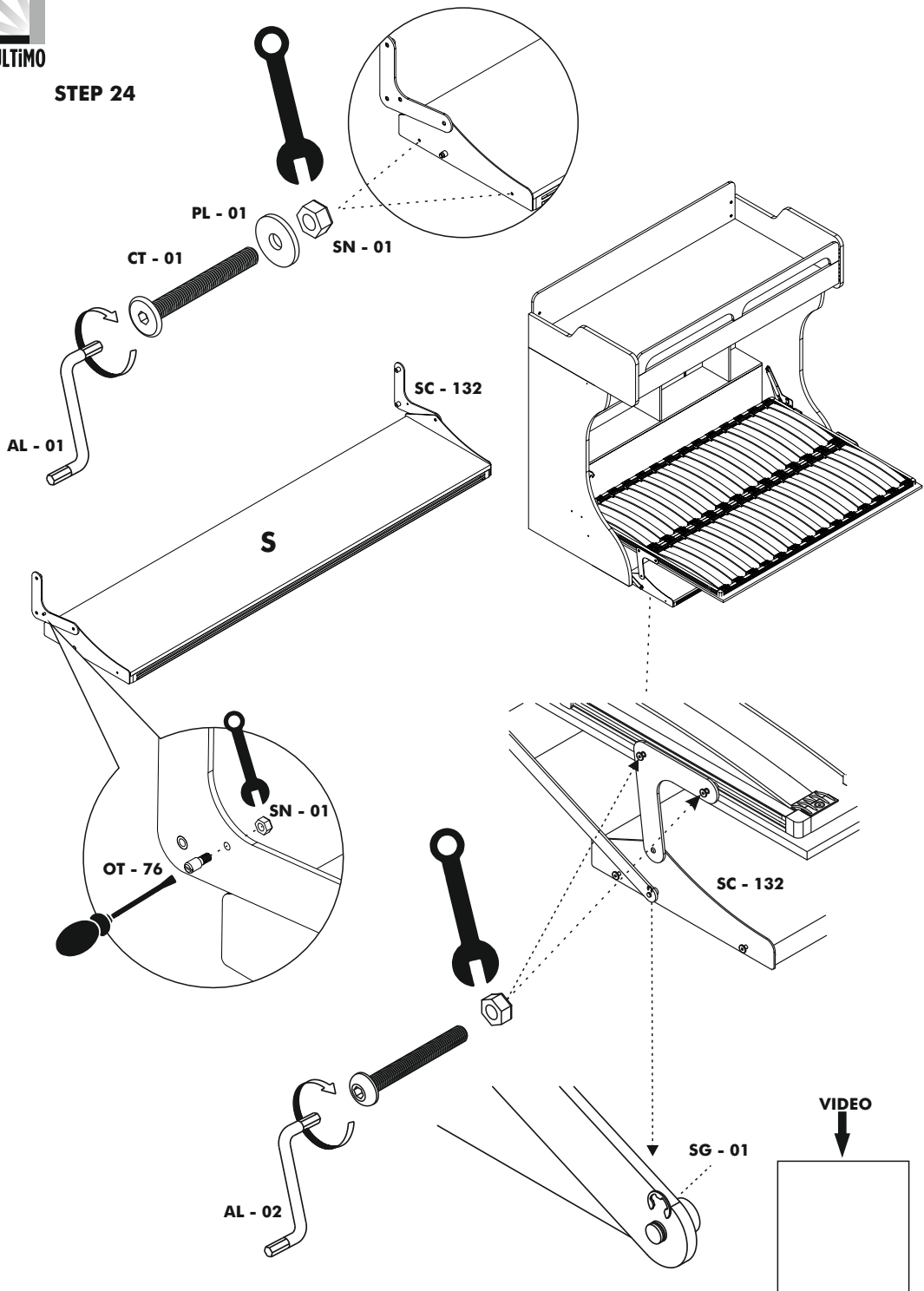


**VIDEO**

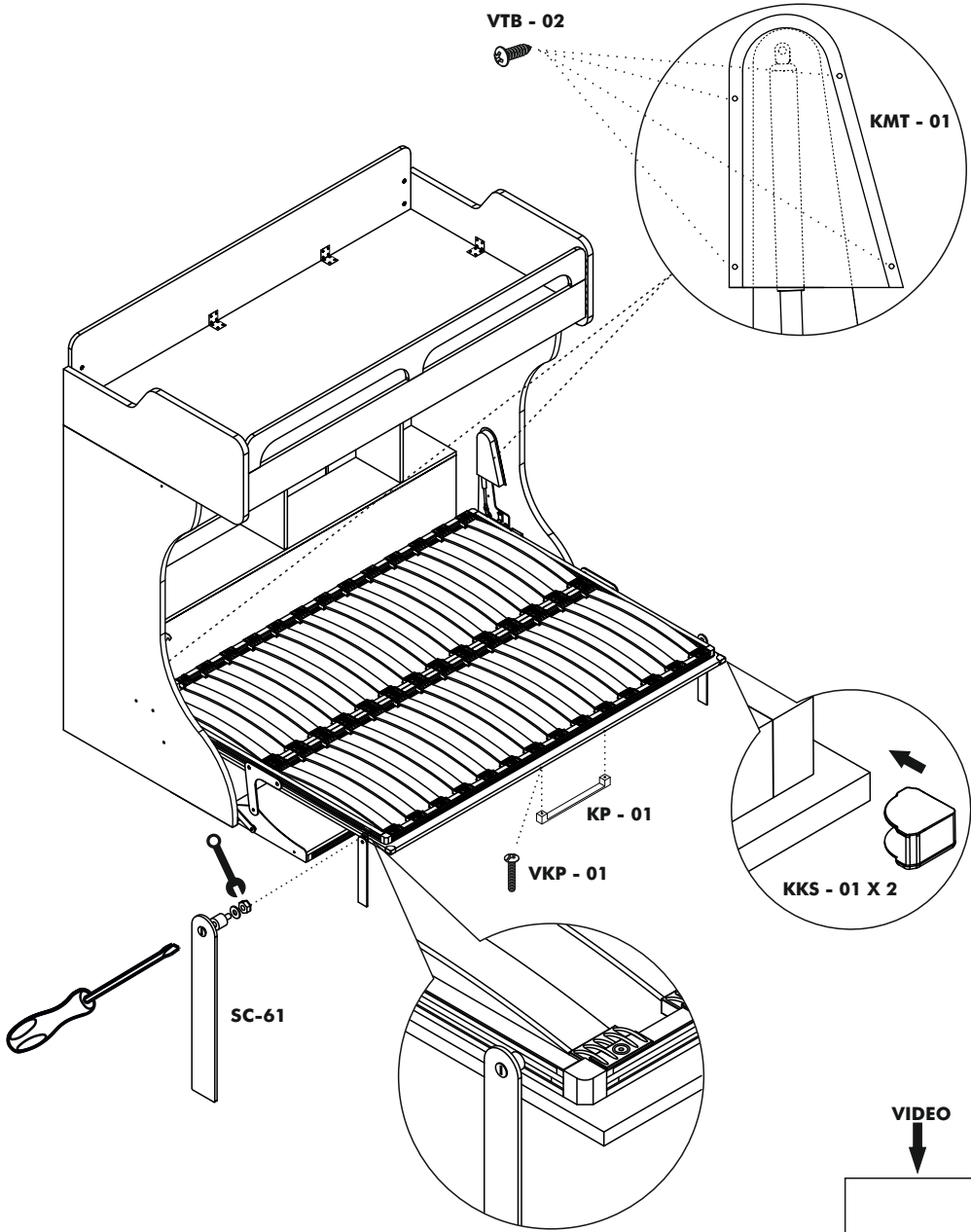


link

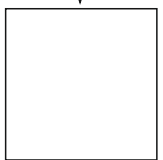
STEP 24



**STEP 25**

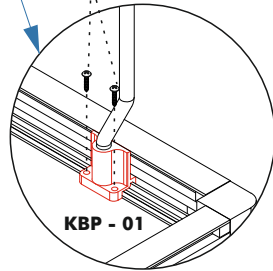
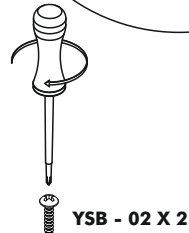
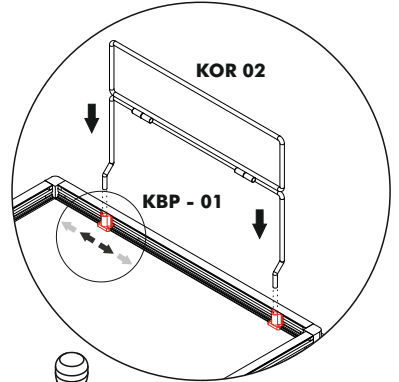
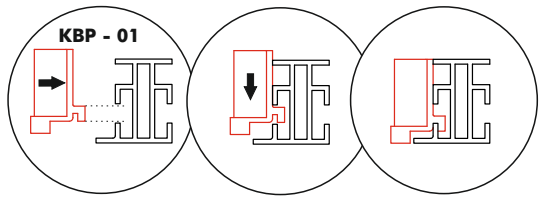
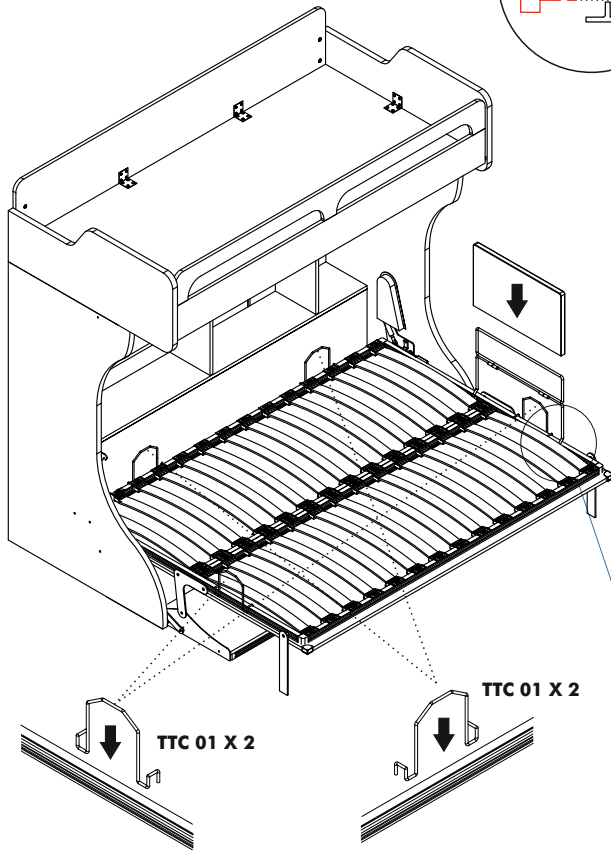


**VIDEO**

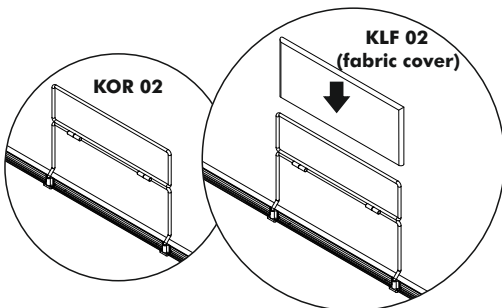


link

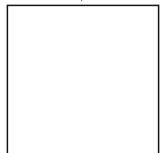
STEP 26



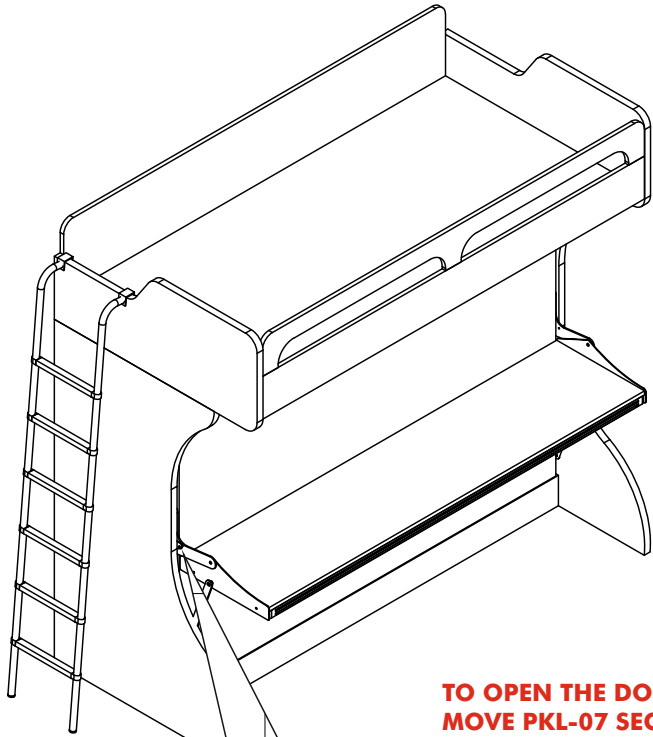
**CAUTION !**  
MAKE SURE THAT HEADBOARDS  
AND GUARDRAILS ARE FOLDED  
BEFORE CLOSING THE BED



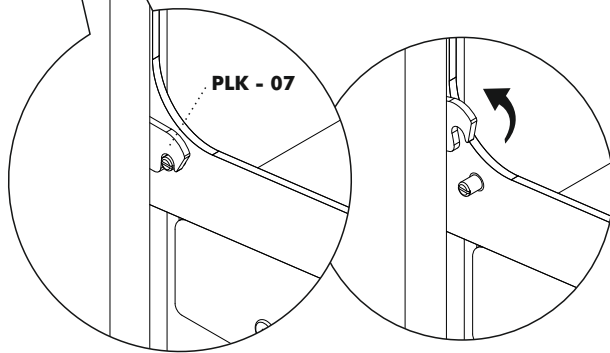
VIDEO  
↓



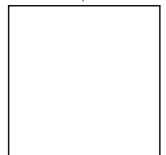
**STEP 27**



**TO OPEN THE DOOR  
MOVE PKL-07 SECTION UP**



**VIDEO**



link

## ATTENTION / HOW TO / READ ME / OWNER'S GUIDE

1. Most bunk beds must be securely attached to the wall, unless the bed is free standing. Please check the product description for this information. Hardware for mounting to concrete, brick or similar strong material is included.
2. When mounting to drywall, wall bunk beds must be attached to wooden or metal studs in 2 or 3 points. Do not mount wall bunk beds directly to drywall or paper-mache type wall without properly attaching it to studs. Please choose appropriate fasteners for the type of wall the bed will be mounted on. Drywall mounting hardware is not included.
3. For safety and product longevity you must periodically inspect the integrity and tightness of the mounting and mechanical connections. Confirm hardware remains properly affixed and connections are snug.
4. Do not lean or rest heavy objects on sides or top of furniture. This may cause balance issues and compromise the integrity of your mounting connections.
5. Please use wall bunk beds and integrated shelves, desks and sofas as intended. Do not jump and/or exceed supported weight limits. Do not sit or lean on integrated shelves and desks. Improper use may cause personal injury and damage to property.
  - Always use the provided ladder when accessing the top bunk.
  - Always use a ladder for additional support for the upper bunk when it is open.
  - Be slow, careful and aware of surroundings when opening the top bunk.
  - Do not horseplay. Beds are to be slept on only.
  - Make sure that support legs are fully extended and are flat on the floor. Always be aware of where the leg is and will be.
6. With seasonal humidity change please inspect the interior and exterior of the furniture for deformation and/or discoloration.
7. Before any un-mounting or disassembly please contact Multimo Beds for technical support and instructions. Failure to properly detach may result in personal injury and damage to property.



## WARNINGS

### IMPORTANT! HAZARD WARNING!

All Wall Beds contain sophisticated and powerful lifting mechanism. Failure to follow assembly and installation instructions may result in **severe personal injury and damage of the product.**

### SECURE RIGIDLY TO A WALL!

Improper attaching wall bed to a wall will create a tip-over hazard and may result in severe personal injury or even death.  
**ONLY qualified installers should install or remove a wall bed.**



## WARNINGS

### To help prevent serious or fatal injuries due to entrapment or falls

- Never allow a child under 6 on upper bunk.
- Use only Twin/Twin XL size mattress on upper bunk.
- Ensure mattress thickness doesn't exceed 6", and that mattress surface at least 5" below upper edge of guard rails



## WARRANTY

### RETAIL RESIDENTIAL TERM

Lifetime guarantee on hardware.  
**5 year** structural guarantee on cabinetry.

### COMMERCIAL TERM

Lifetime guarantee on hardware.  
**2 year** structural guarantee on cabinetry.



[www.multimobeds.com](http://www.multimobeds.com)