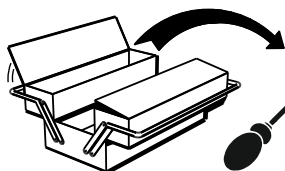
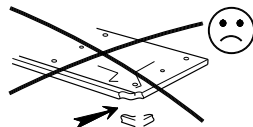
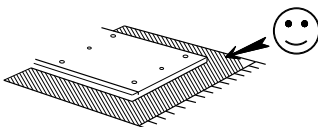
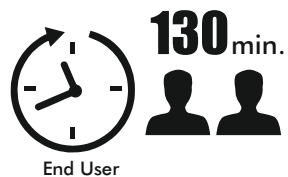
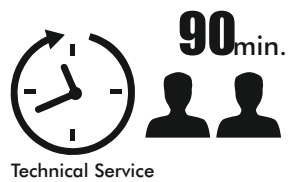
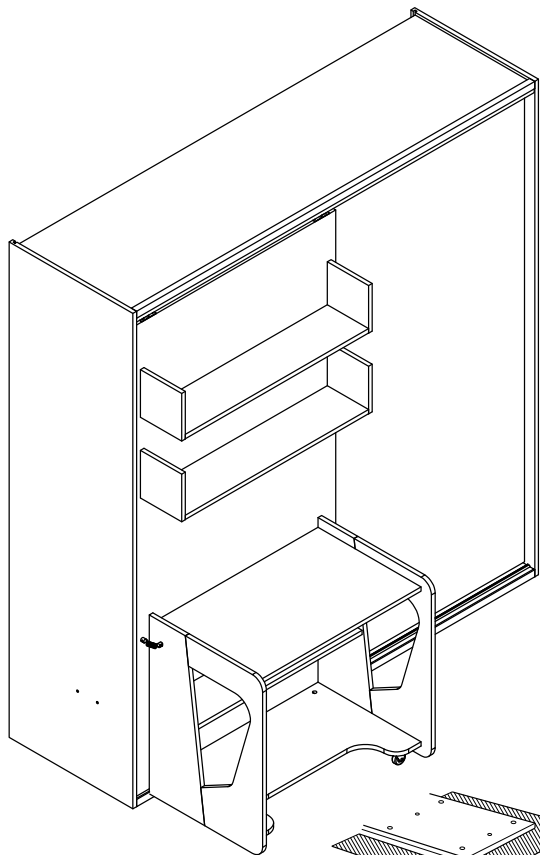




# MULTIMO

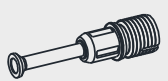


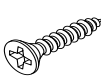
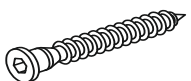
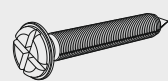
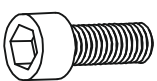
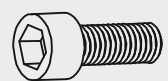



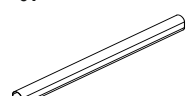
## A-213 STUDIO 5


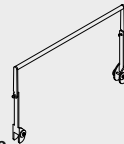
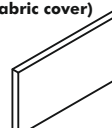
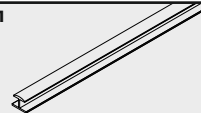
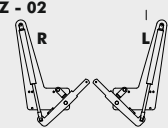
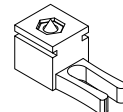
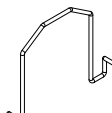




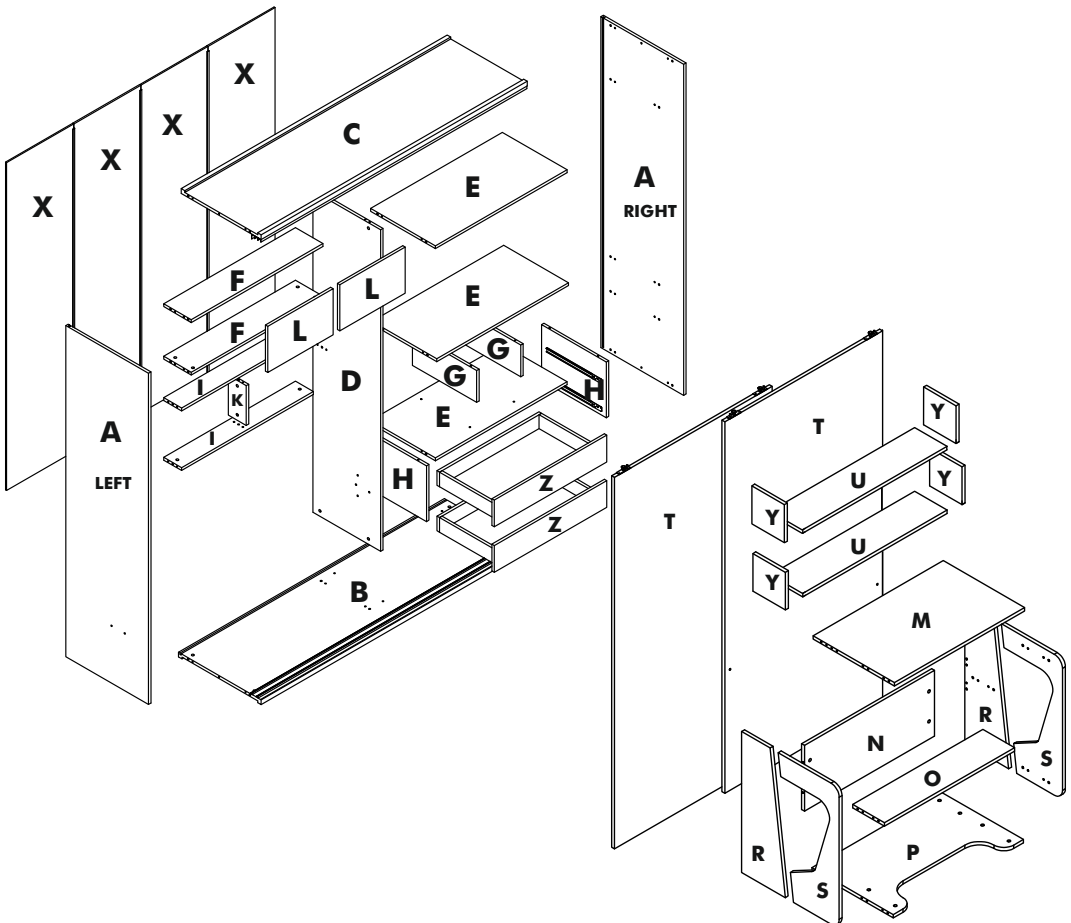
Assembly Instructions

Track Title	(inch)			(mm)				
	Piece	Thickness	Length	Width	Piece	Thick	Height	Most
A		1,18	89,76	23,62	2	30	2280	600
B		0,71	83,86	23,62	1	18	2130	600
C		1,18	83,86	22,83	1	30	2130	580
D		0,71	87,40	19,29	1	18	2220	490
E		0,71	41,57	18,50	3	18	1056	470
F		0,71	41,57	7,48	2	18	1056	190
G		0,71	7,87	18,31	2	18	200	465
H		0,71	13,78	18,50	2	18	350	470
I		0,71	41,57	5,12	2	18	1056	130
K		0,71	9,37	4,92	1	18	238	125
L		0,71	11,42	20,63	2	18	290	524
M		0,71	31,50	20,47	1	18	800	520
N		0,71	31,50	13,78	1	18	800	350
O		0,71	31,50	7,68	1	18	800	195
P		0,71	31,50	20,47	1	18	800	520
R		0,71	29,53	10,59	2	18	750	269
S		0,71	29,53	14,76	2	18	750	375
T		0,71	85,75	42,13	2	18	2178	1070
U		0,71	32,28	7,68	2	18	820	195
Y		0,71	7,87	7,87	4	18	200	200
Z		6,61	36,06	16,54	2	168	916	420
X		0,31	88,94	21,06	4	8	2259	535

### Accessories List

<b>MXN 02</b>  <b>70 / piece</b>	<b>MNG - 01</b>  <b>70 / piece</b>	<b>KVL 01</b>  <b>84 / piece</b>	<b>VD - 03 ( 3,5x18 ) mm</b>  <b>22 / piece</b>
<b>VDA - 01 ( 6,5x50 ) mm</b>  <b>6 / piece</b>	<b>VD - 02 (3,5x25) mm</b>  <b>30 / piece</b>	<b>IM - 04 (6x15) mm</b>  <b>2 / piece</b>	<b>IM - 01 (6x30) mm</b>  <b>2 / piece</b>
<b>OT 01</b>  <b>4 / piece</b>	<b>TS - 03</b>  <b>4 / piece</b>	<b>AF - 02</b>  <b>2 / piece</b>	<b>BO - 01</b>  <b>1 / piece</b>

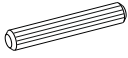
<p><b>YY 01</b></p>  <p>2 / piece</p>	<p><b>KOR 01</b></p>  <p>1 / piece</p>	<p><b>KLF 01 (fabric cover)</b></p>  <p>1 / piece</p>	<p><b>H 01</b></p>  <p>3 / piece</p>
<p><b>MKZ - 02</b></p>  <p>2 / piece</p>	<p><b>STP - 01</b></p>  <p>4 / piece</p>	<p><b>TTC 01</b></p>  <p>4 / piece</p>	<p><b>AL - 02</b></p>  <p>5</p>
<p><b>AL - 01</b></p>  <p>4</p>			



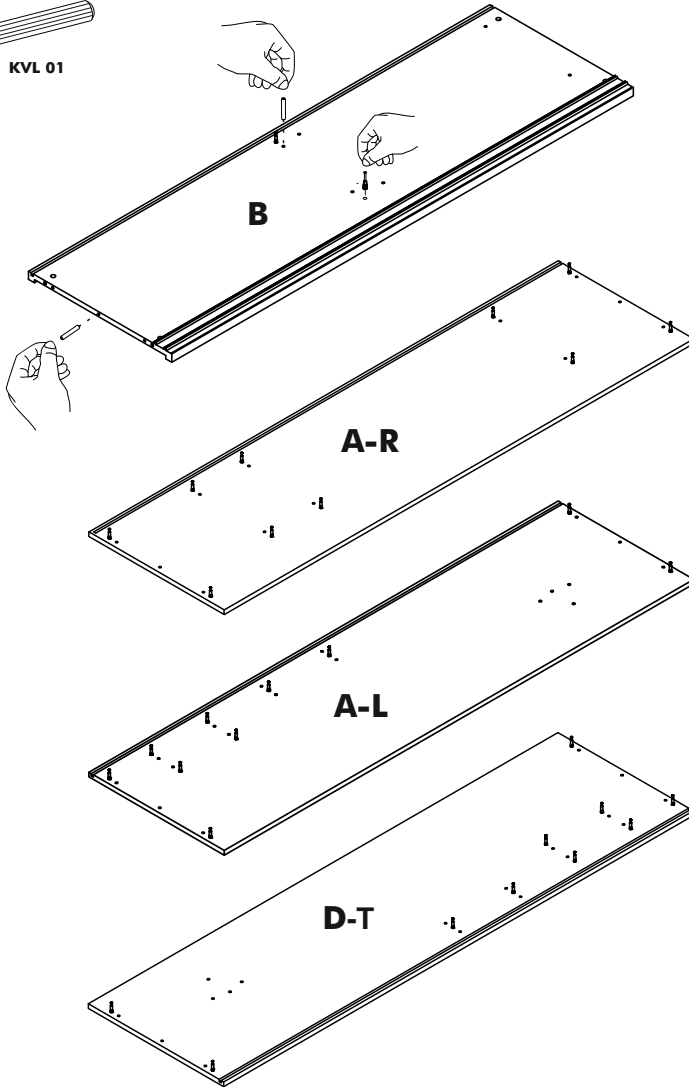
**STEP 1**



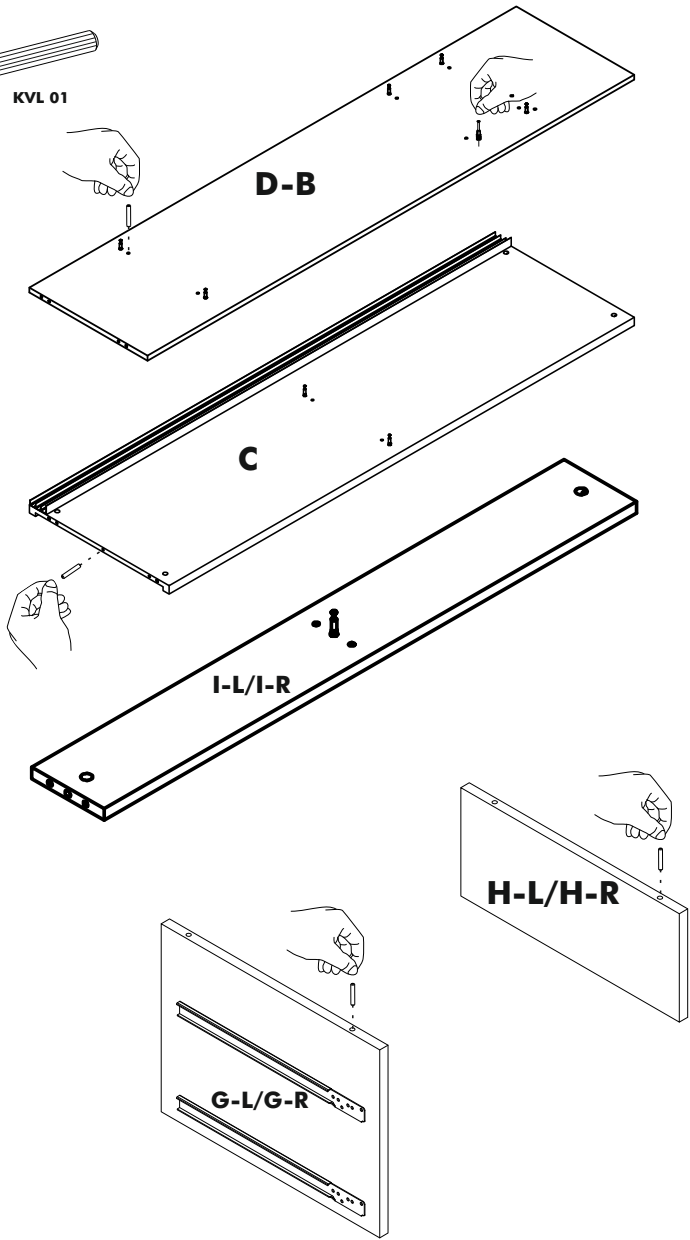
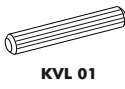
MNX - 02



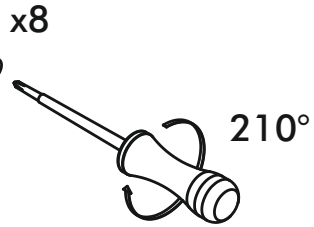
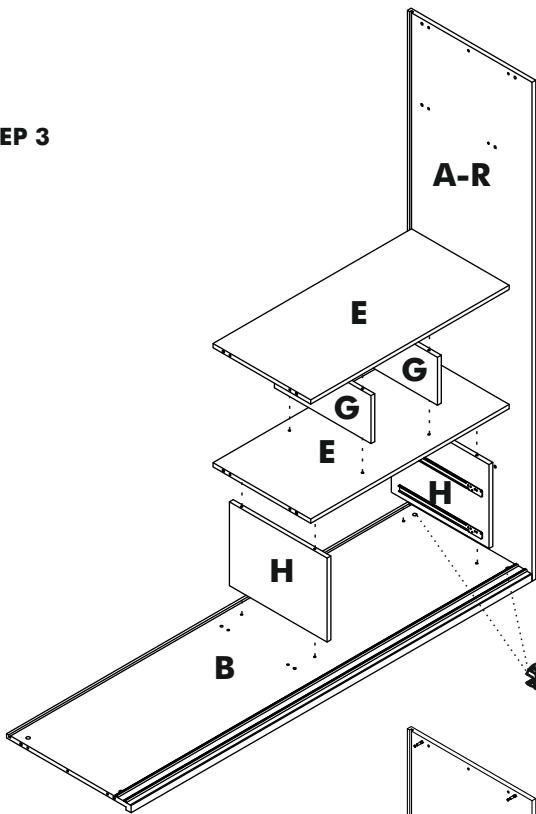
KVL 01



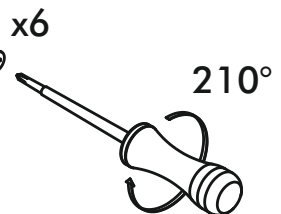
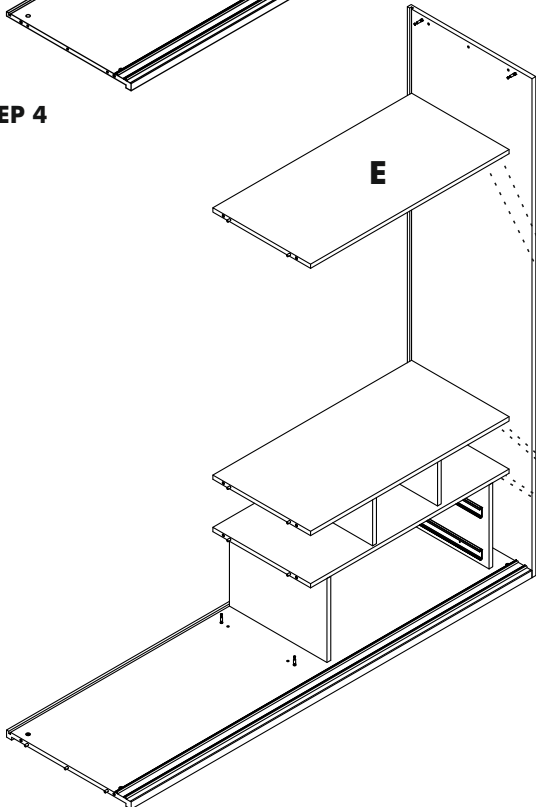
**STEP 2**



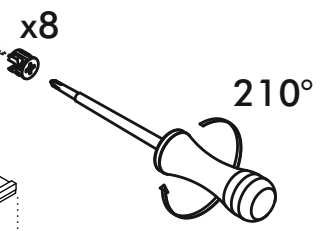
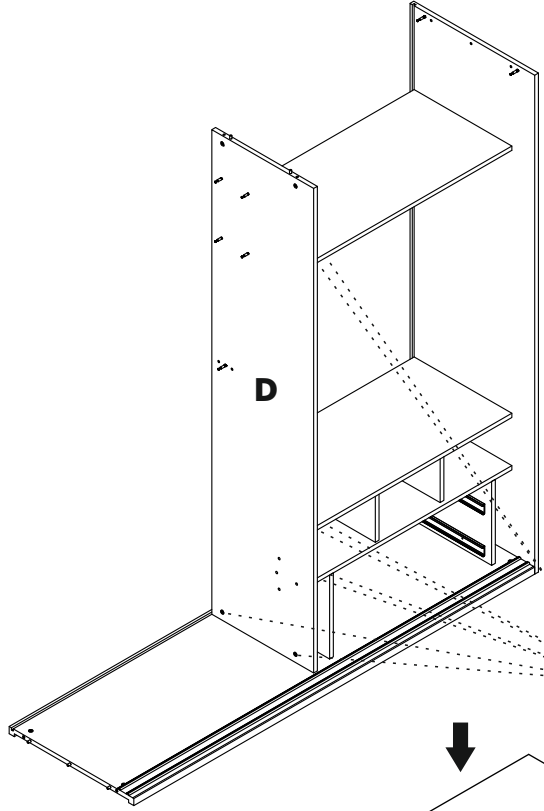
STEP 3



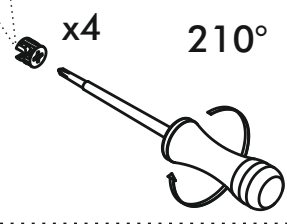
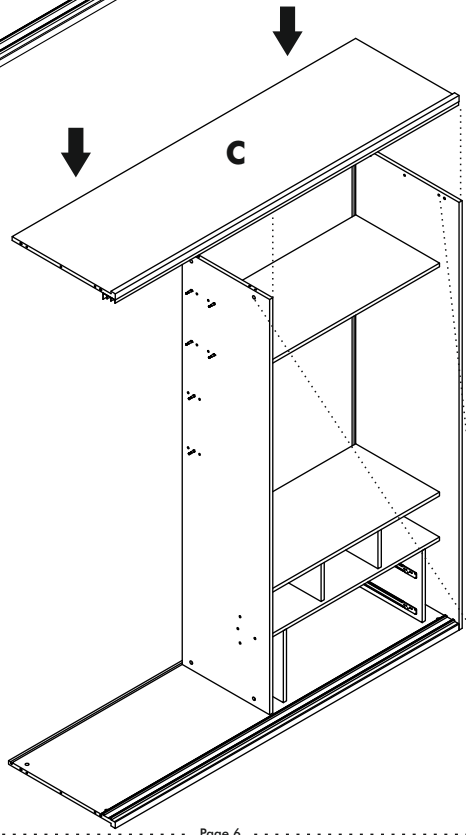
STEP 4



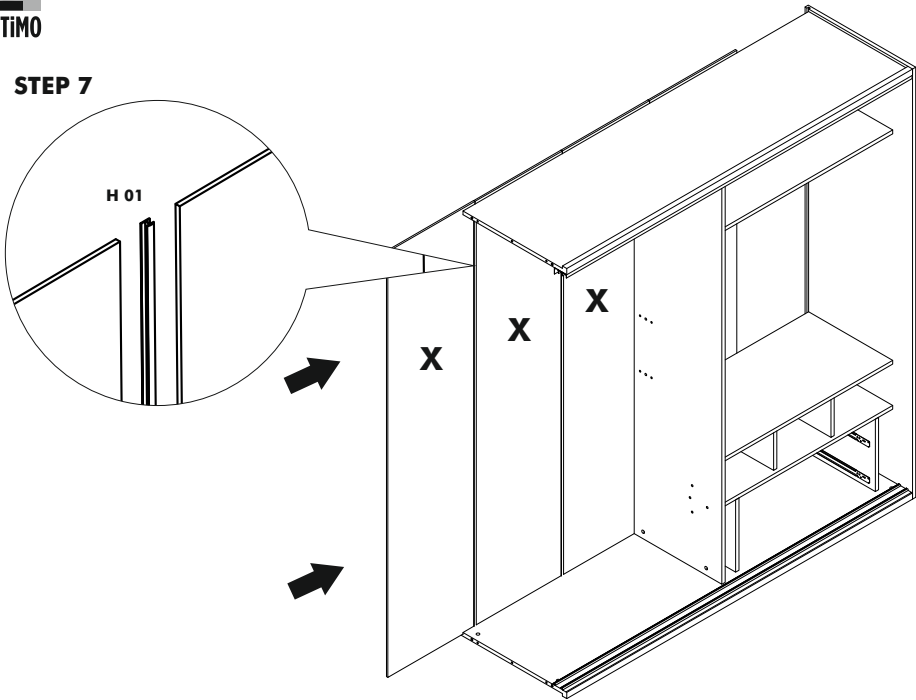
STEP 5



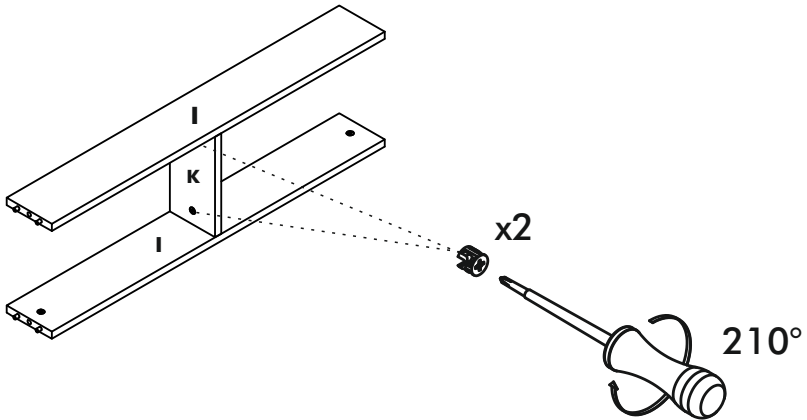
STEP 6



**STEP 7**

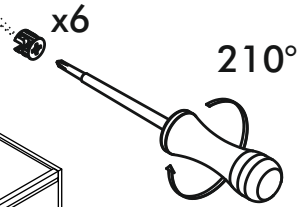
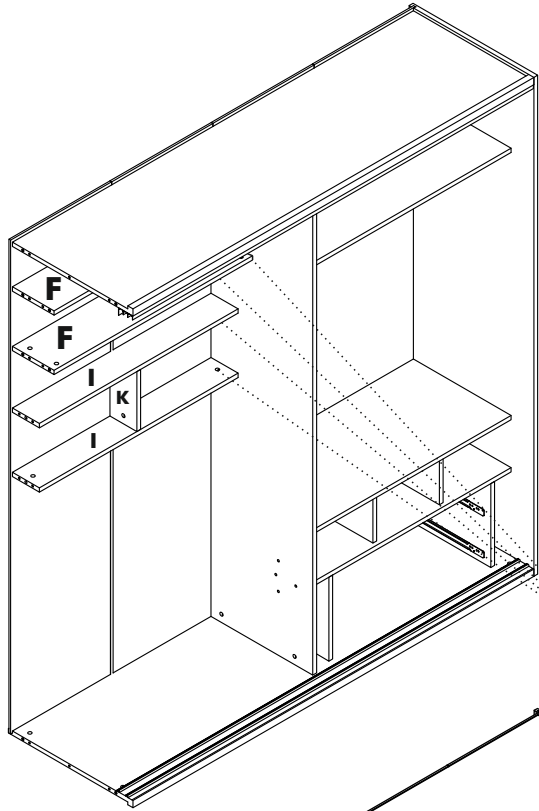


**STEP 8**

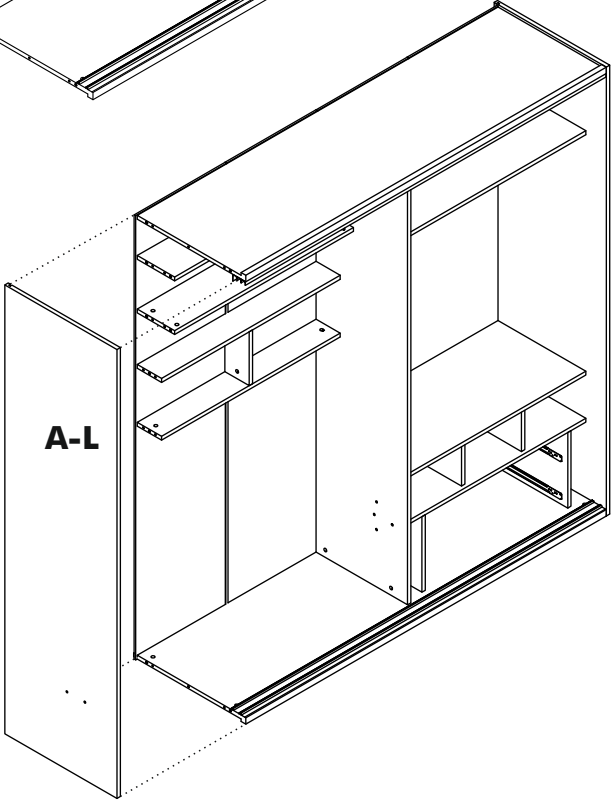




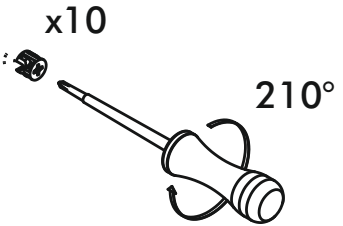
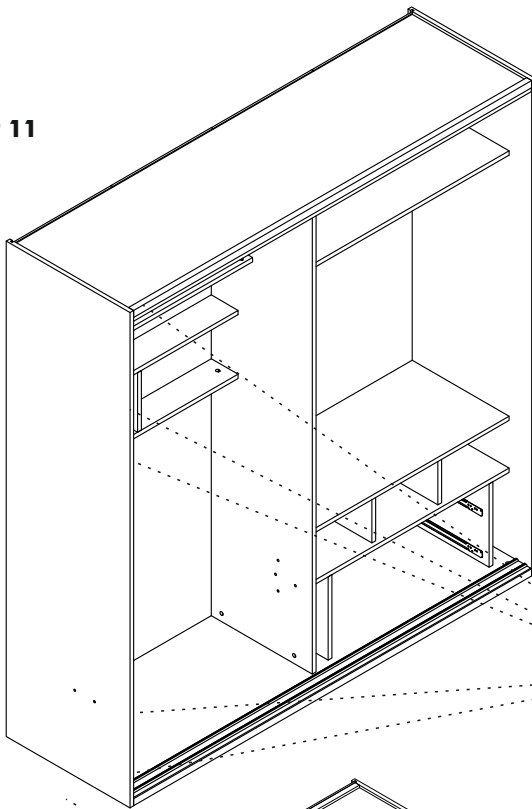
**STEP 9**



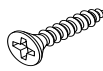
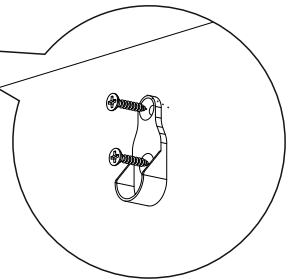
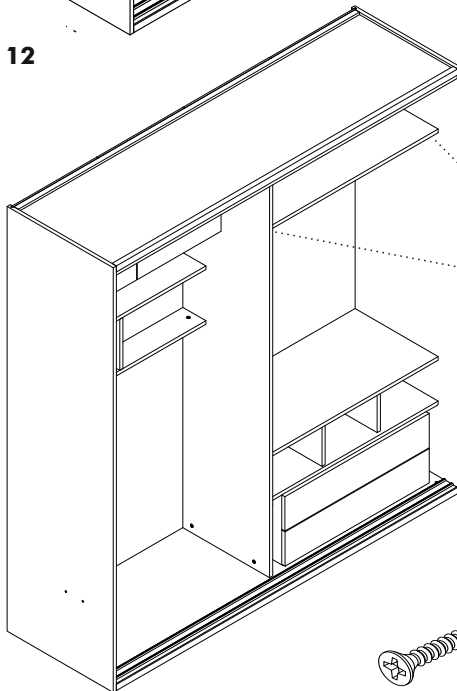
**STEP 10**



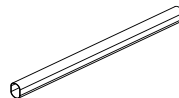
STEP 11



STEP 12



VD - 03

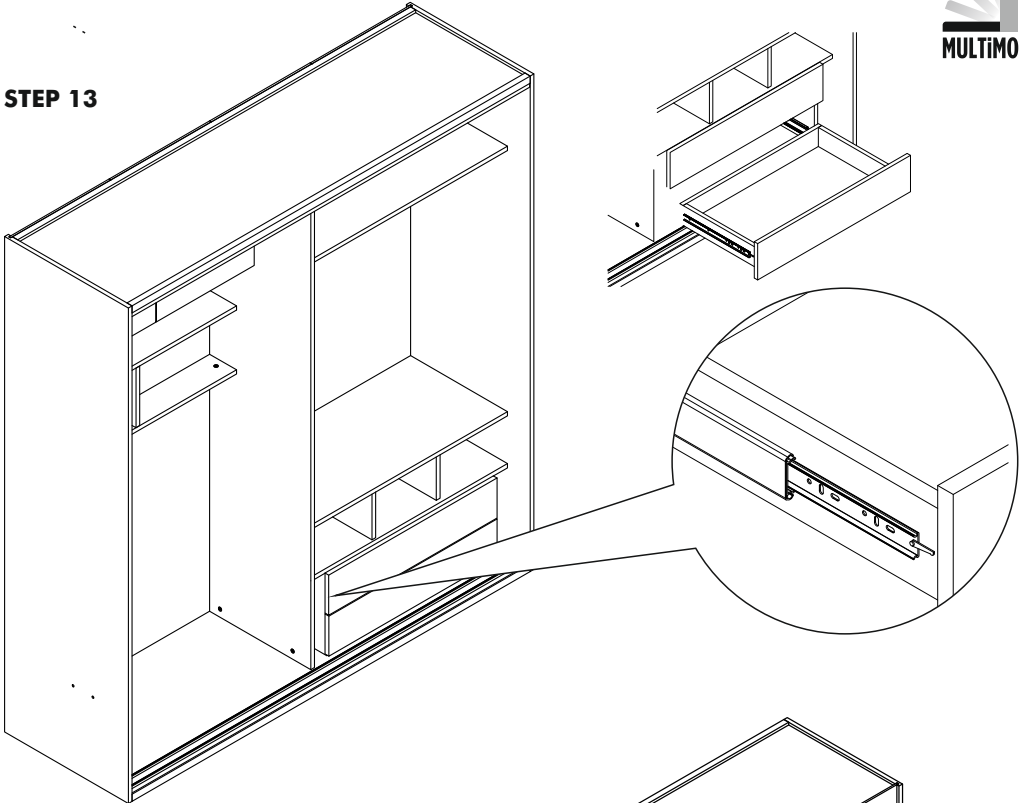


BO - 01

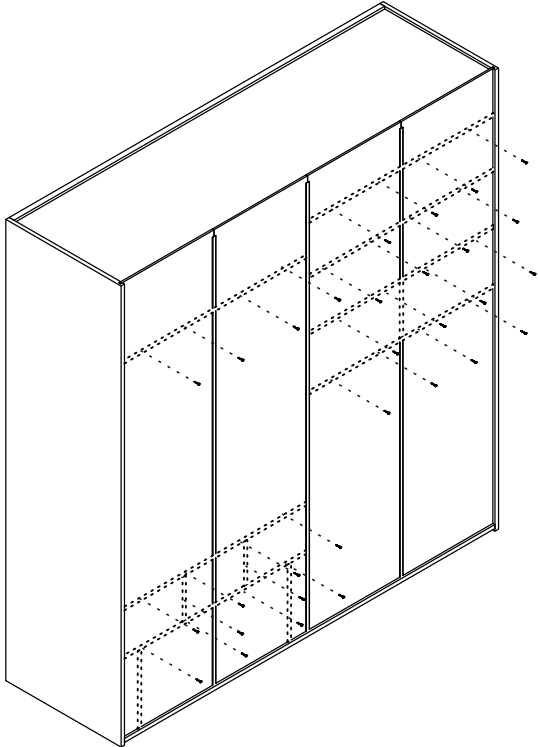
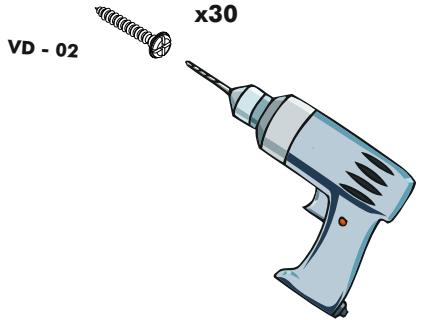


AF - 02

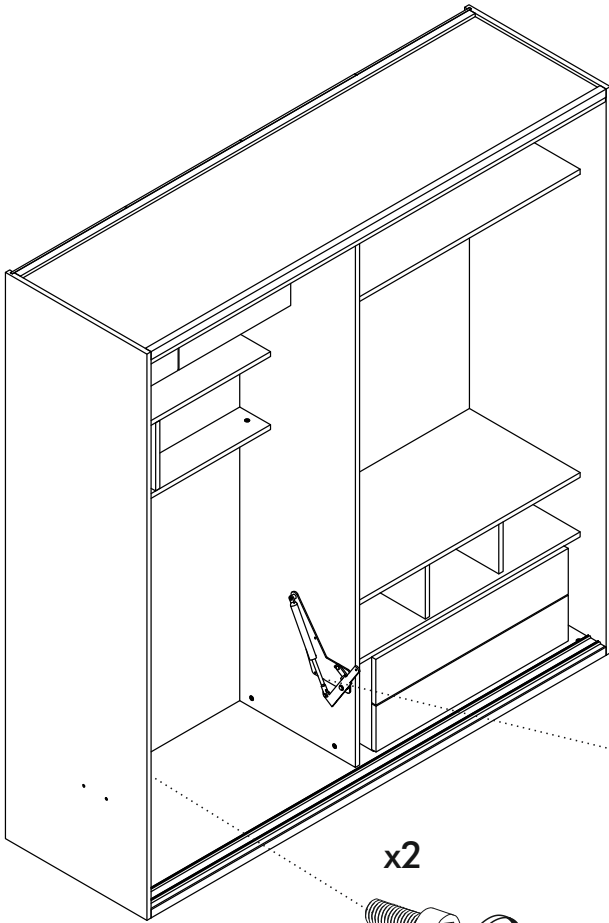
**STEP 13**



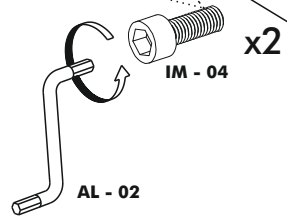
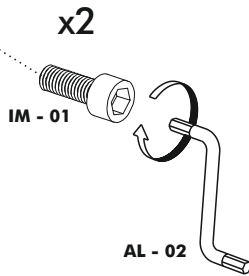
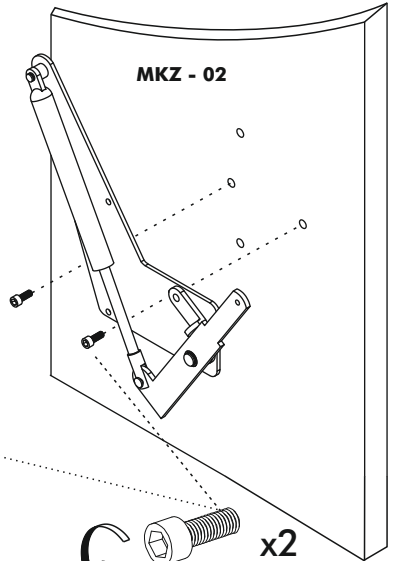
**STEP 14**



STEP 15



**CAUTION**  
**DO NOT UNLOCK BEFORE INSTALL**



**STEP 16**



Ø 10 mm / 0,254 inch

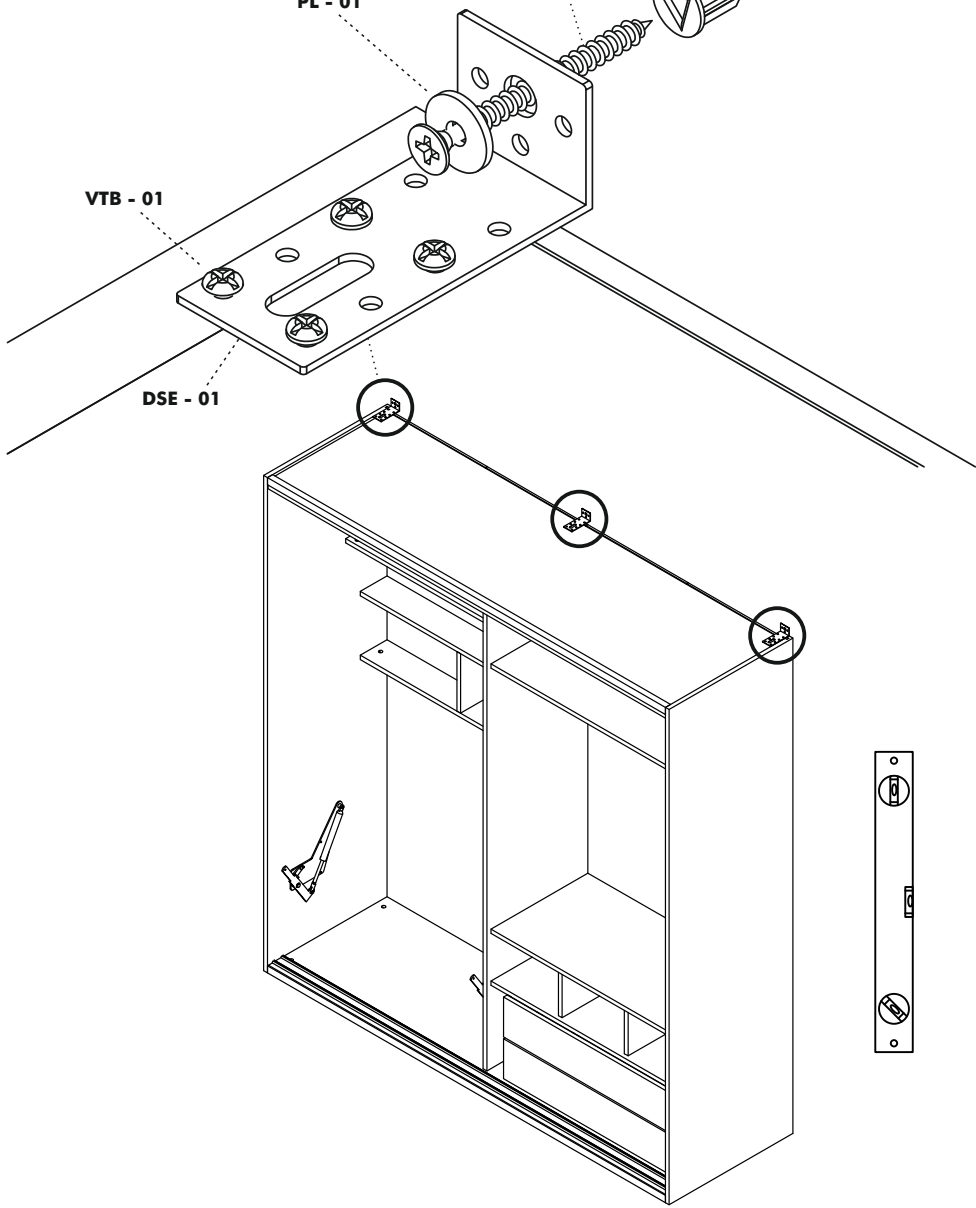
DD - 02

PL - 01

VD - 01

VTB - 01

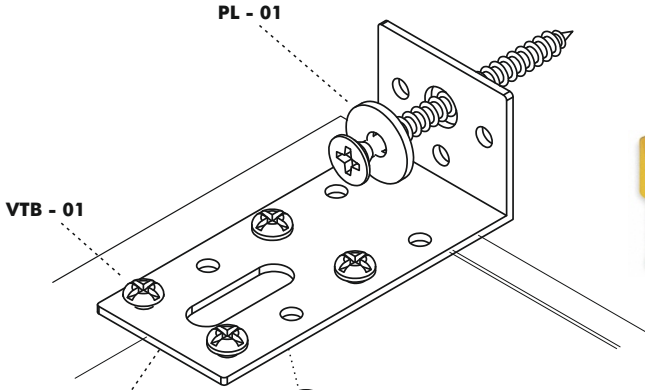
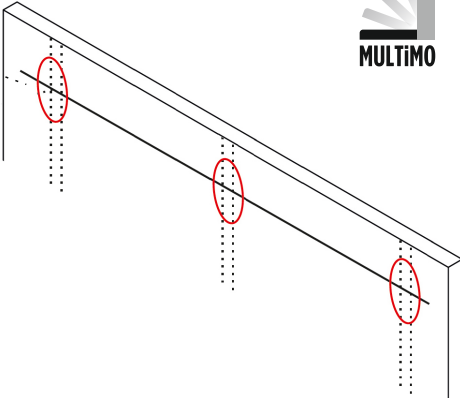
DSE - 01



**STEP 16**



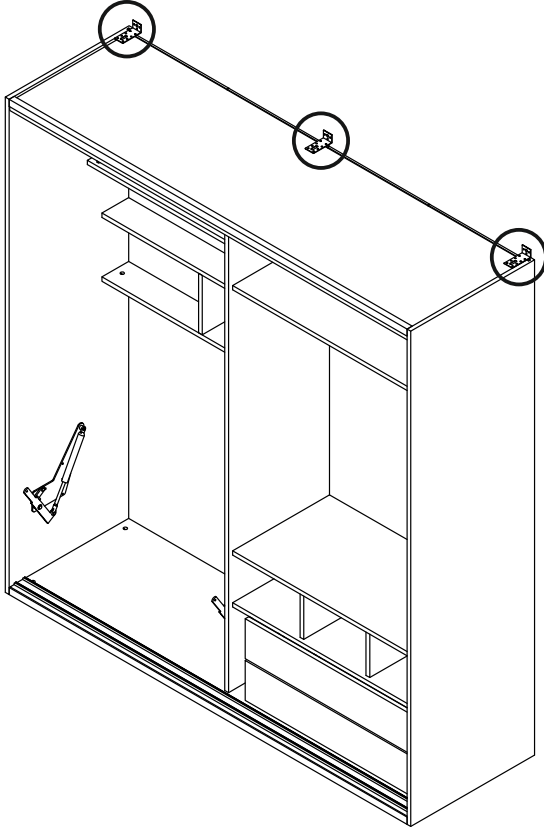
Ø 10 mm / 0,254 inch



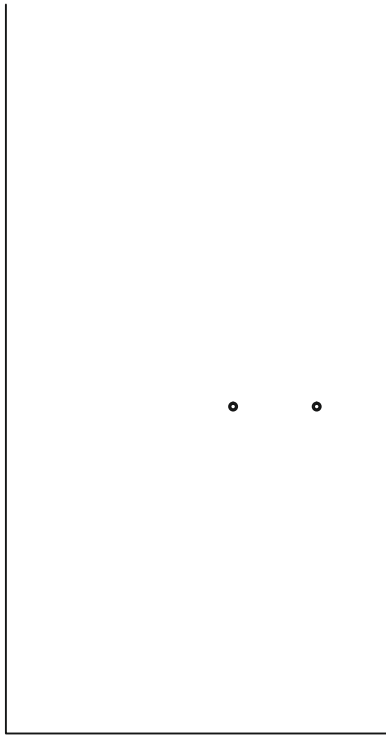
FIRST LOCATE THE STUDS BY USING "STUD FINDER" IN THE WALL AND DRILL IT ACCORDING TO THE HEIGHT MEASUREMENTS GIVEN ON THE SIDE.

UPPER HOLES SHOULD BE DRILLED FOR ATTACHING BED AT NEXT STEP.

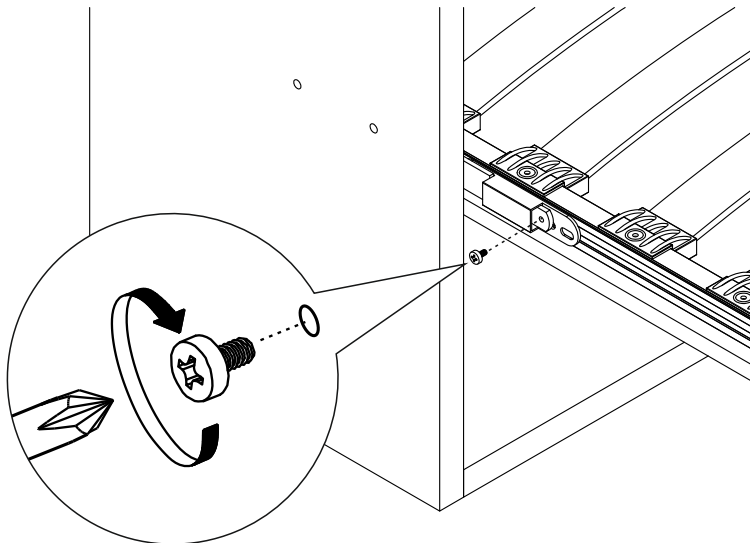
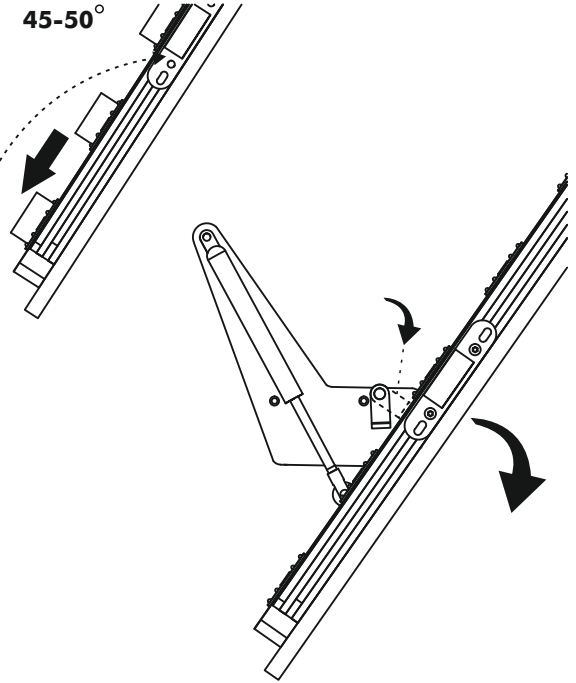
SUPPLY DRYWALL FASTENERS APPROPRIATE TO YOUR WALL TYPE. WE RECOMMEND USING STEEL TOGGLE BOLT ANCHOR THAT SHOWN BELOW



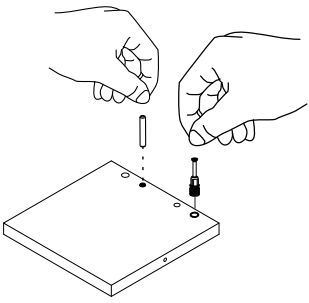
STEP 17



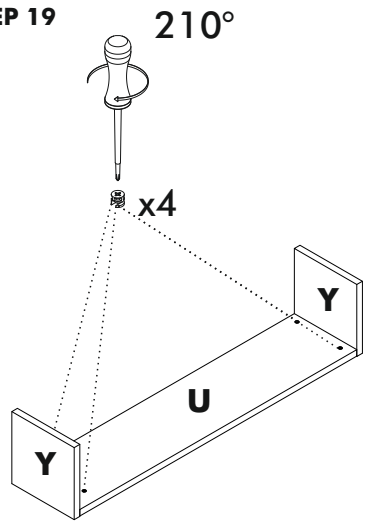
45-50°



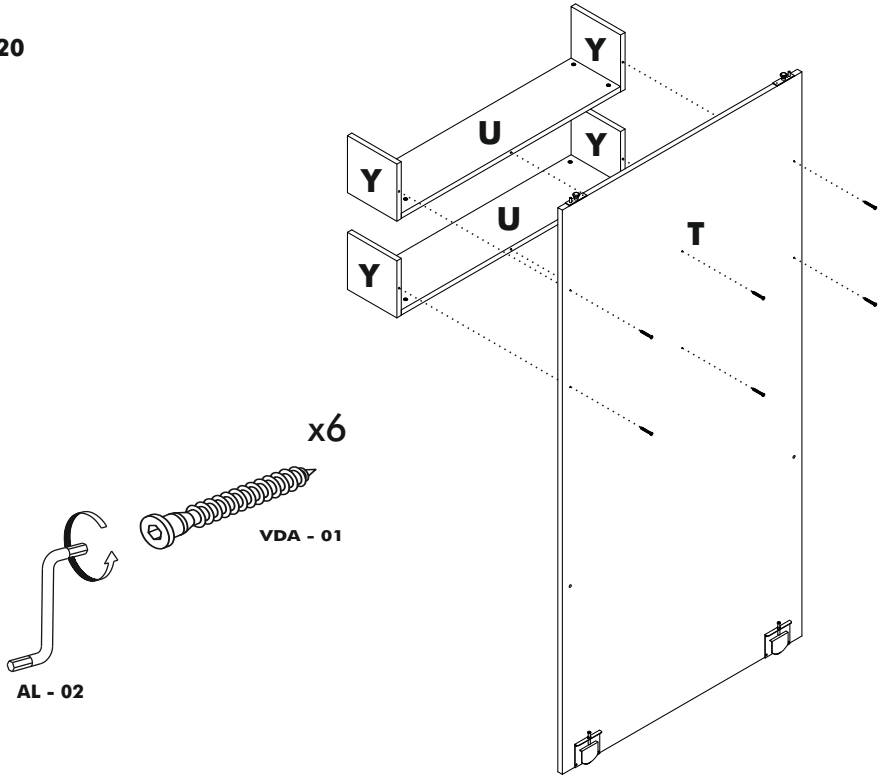
**STEP 18**



**STEP 19**

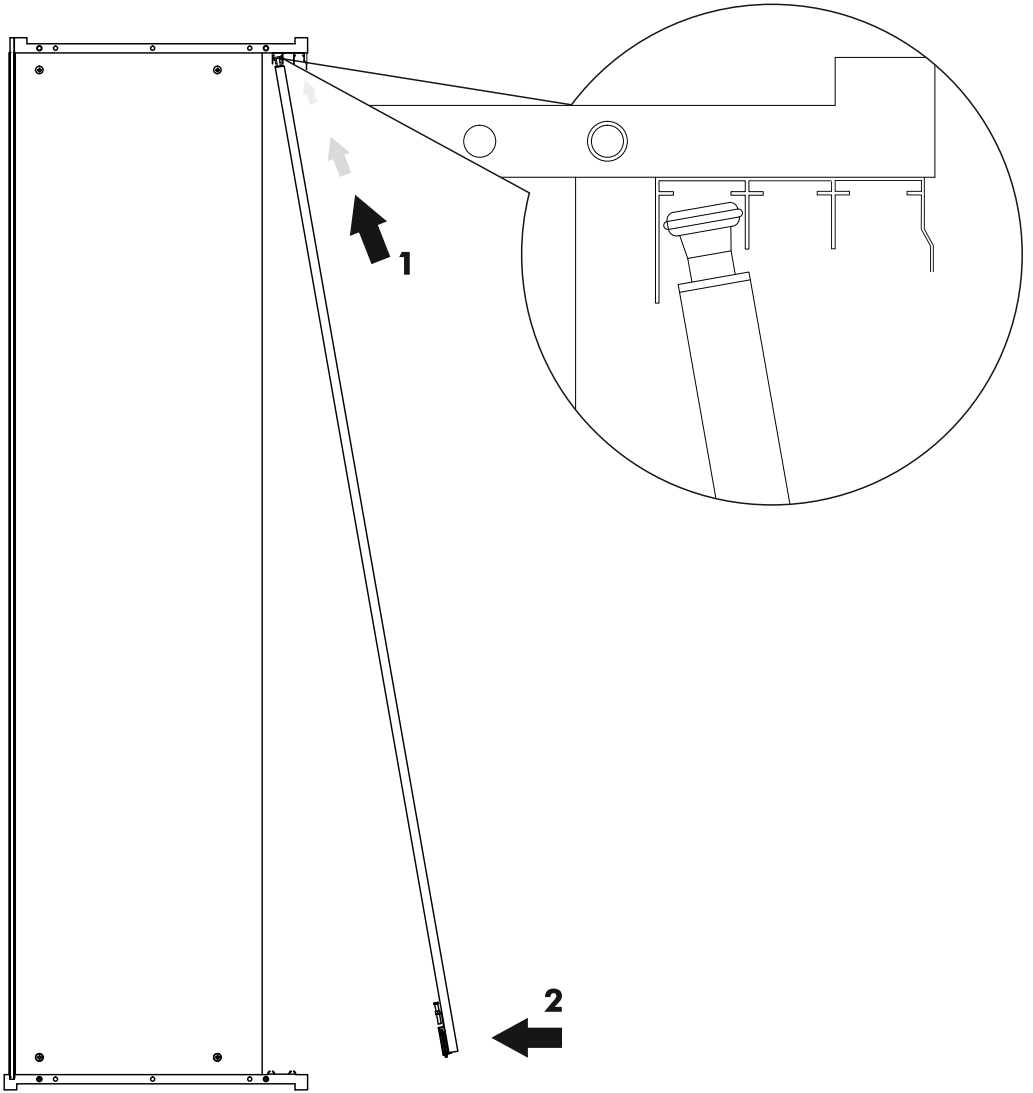


**STEP 20**

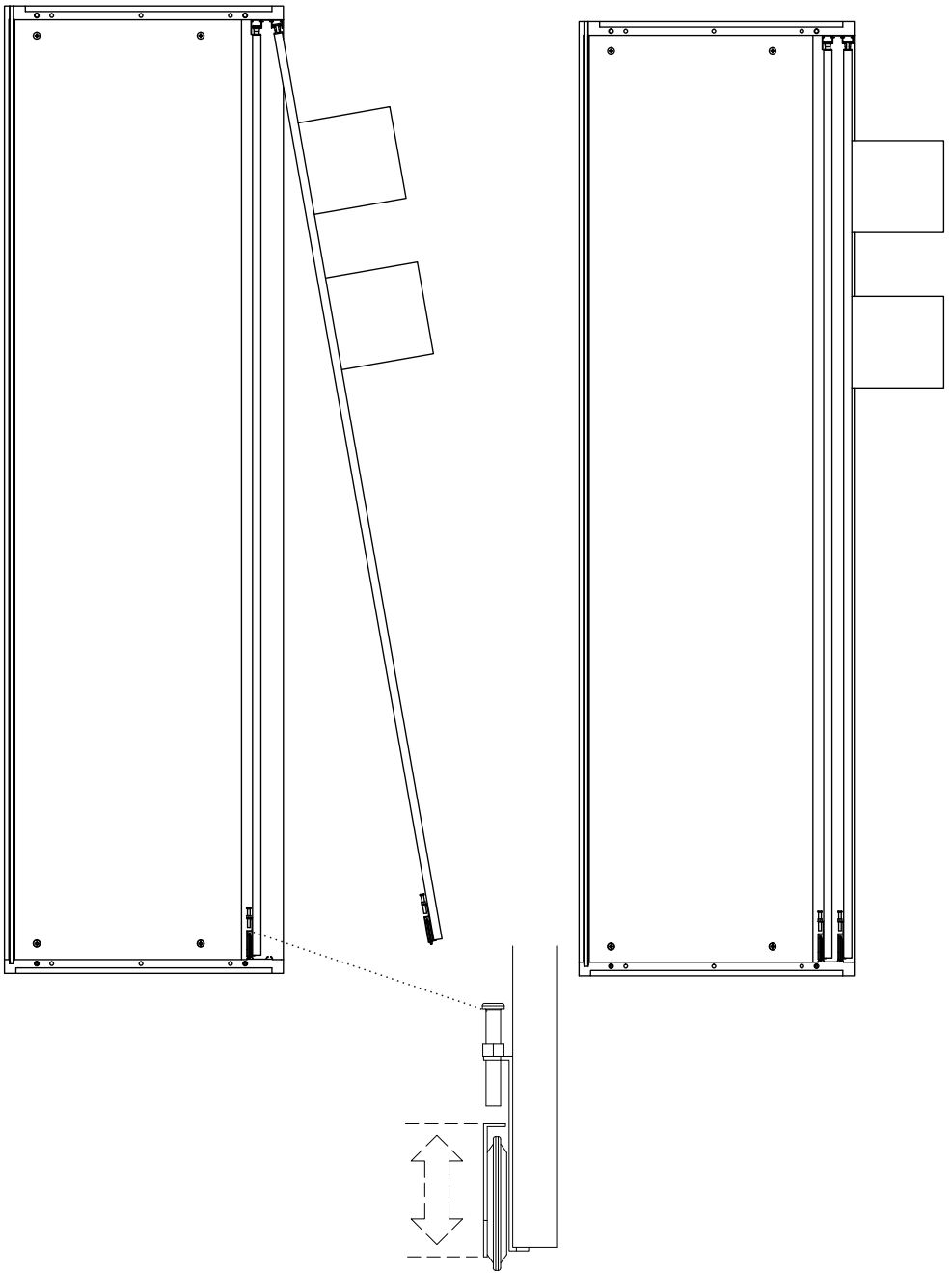




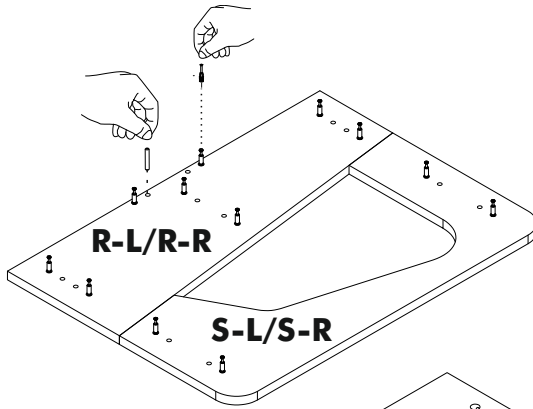
**STEP 21**



**STEP 22**

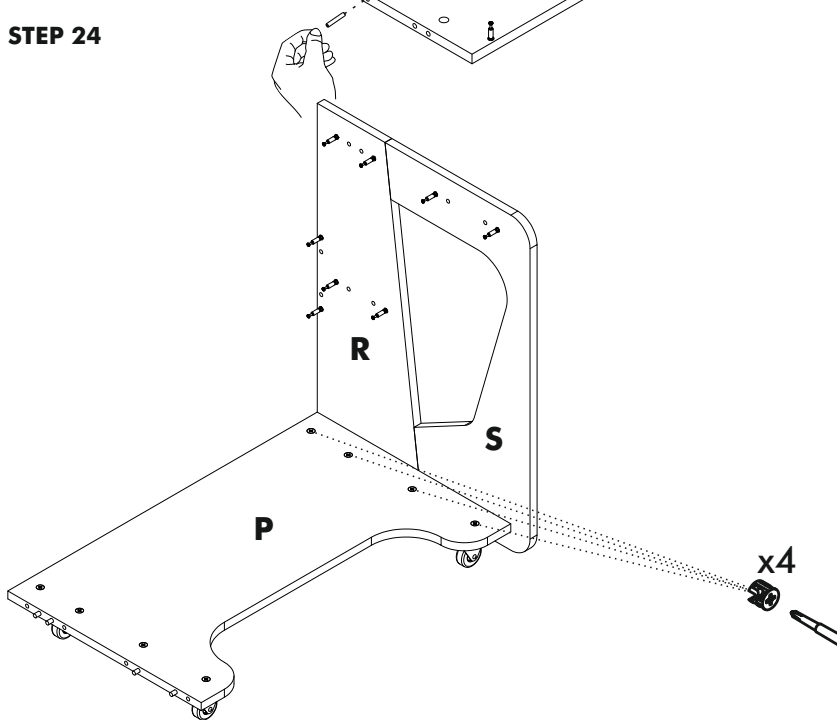


**STEP 23**



**KVL 01**

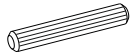
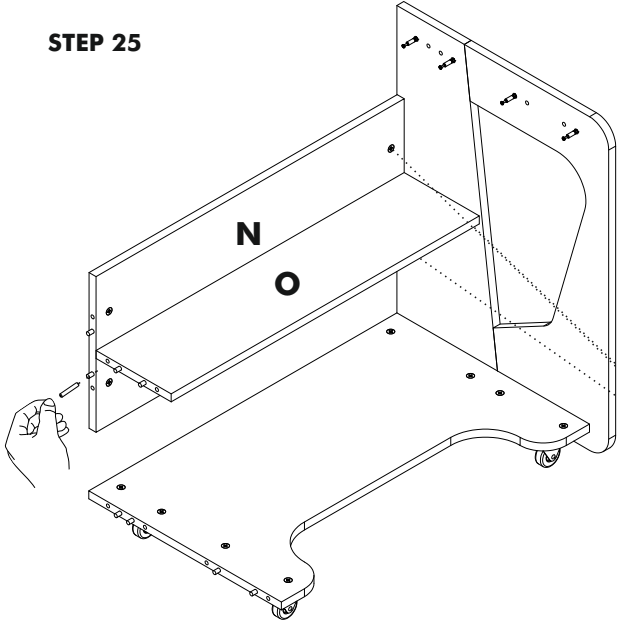
**STEP 24**



**MNG - 01**

**210°**

**STEP 25**

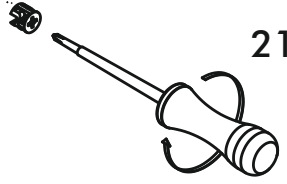


KVL 01



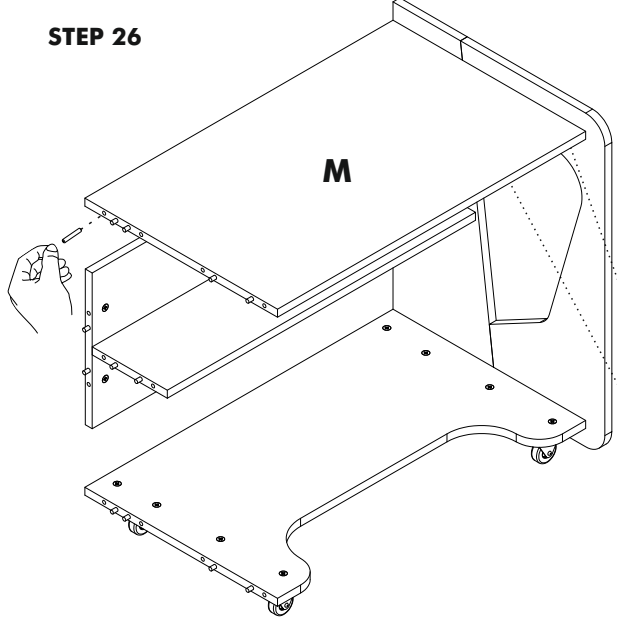
MNG - 01

x4



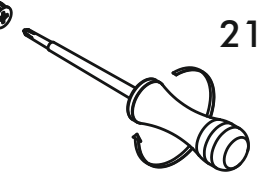
210°

**STEP 26**



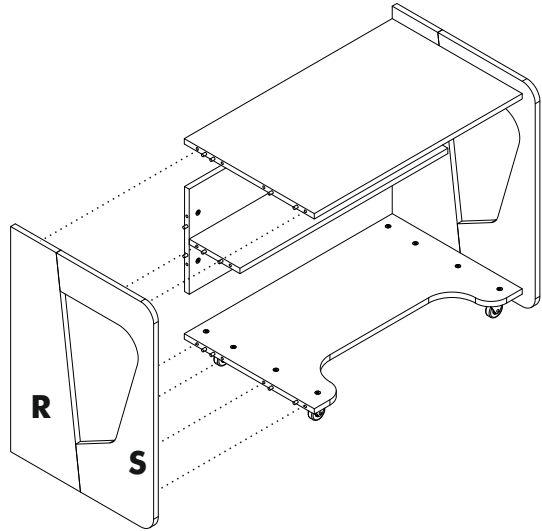
MNG - 01

x4

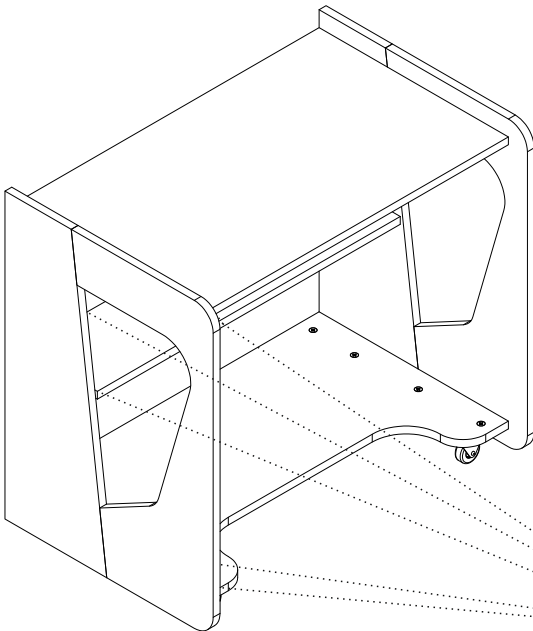


210°

**STEP 27**



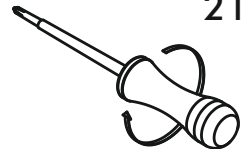
**STEP 28**



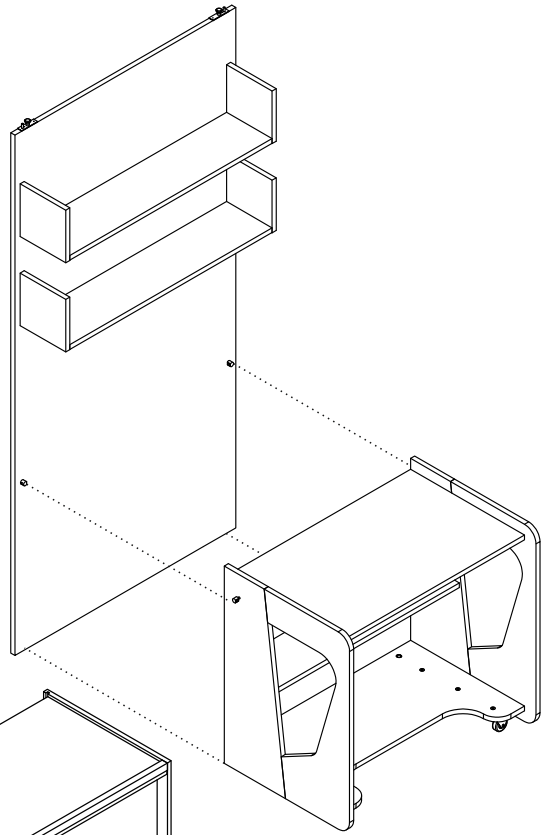
x12



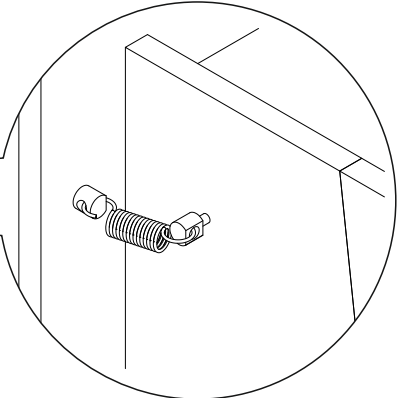
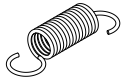
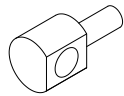
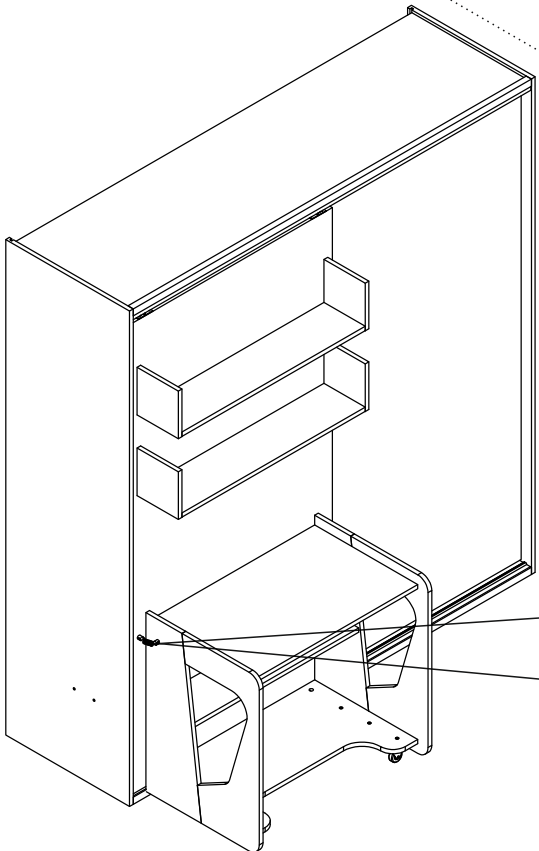
210°



**STEP 29**



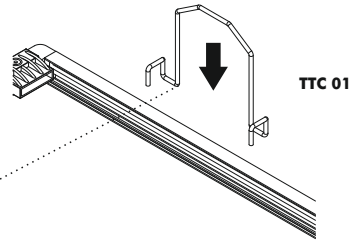
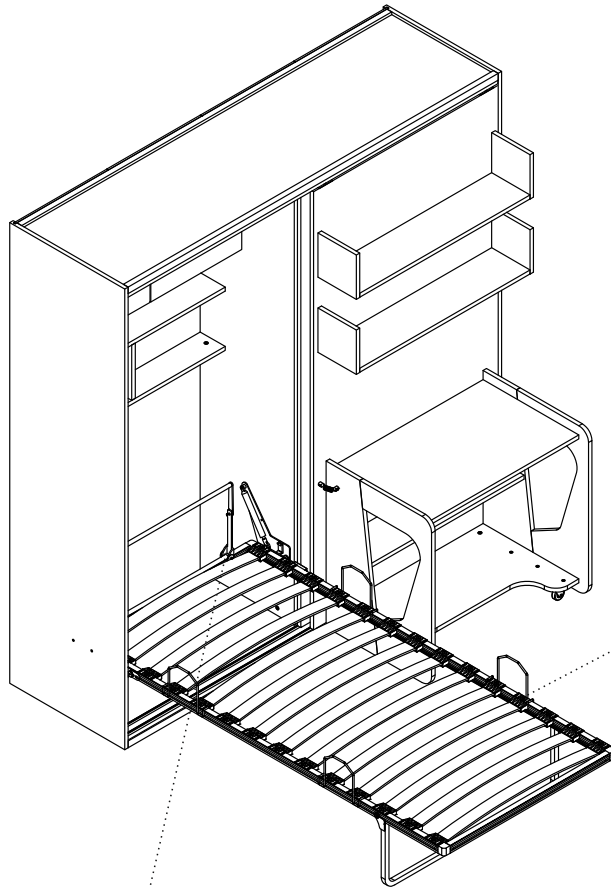
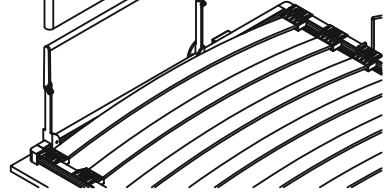
**STEP 30**



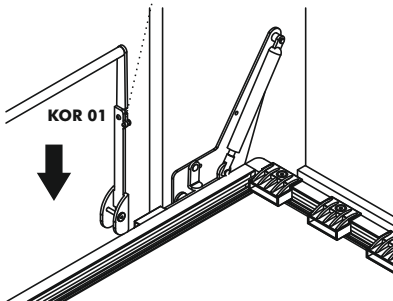
KLF 01 (fabric cover)

**CAUTION !**  
BE SURE THE HEADBOARD  
IS IN CLOSED POSITION  
WHEN BED BOX IS CLOSED

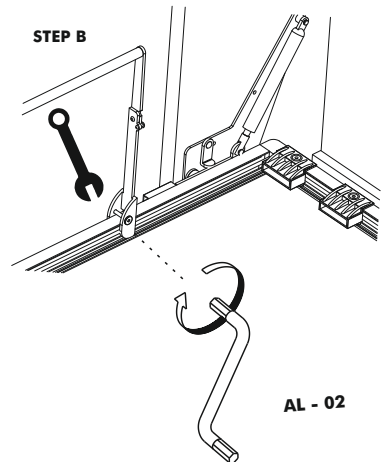
**STEP 31**



**STEP A**



**STEP B**



## ATTENTION / HOW TO / READ ME / OWNER'S GUIDE

1. When mounting on a regular drywall, furniture must be fastened to wood or metal studs. Solid walls made of brick, concrete or similar strong material are also acceptable. Do not mount furniture to paper-mache or sheetrock like material without properly affixing to stud.
2. For safety and product longevity you must periodically inspect the mounting and mechanical connections for integrity and tightness. Confirm hardware remains properly affixed and connections snug.
3. Wall Bed mattress thickness may not exceed 8 inch. Take care to remove pillows and excess blankets before closing. Doing so keeps mechanism free of obstruction and unnecessary stress.
4. Do not lean or rest heavy objects on side or top of furniture. This may cause balance issues and compromise the integrity of your mounting connections.
5. Please use the furniture's beds, desks and shelving as intended. Not designed to be sat, stood, leaned, jumped (etc) on. Improper use may cause personal injury and damage to property.
6. With seasonal humidity change you must inspect interior and exterior of furniture.
7. Single, Twin, Twin XL beds accommodate the weight of one person. Improperly sleeping more than one person risks injury to person and damage to property.
8. Before any un-mounting or disassembly please contact Multimo for technical support and instruction. Failure to properly detach risks injury to person and damage to property.
9. For Bunk Beds:
  - a. Always use provided ladder when accessing top bunk.
  - b. Be slow, careful and aware of surroundings when opening top bunk.
  - c. Do not horseplay. Beds are to be slept on only.
  - d. Some have legs that fully extend when open- be aware of where the leg is and will be.





**MULTiMO**

[www.multimobeds.com](http://www.multimobeds.com)