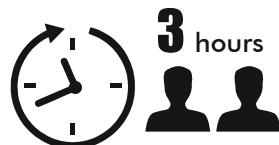
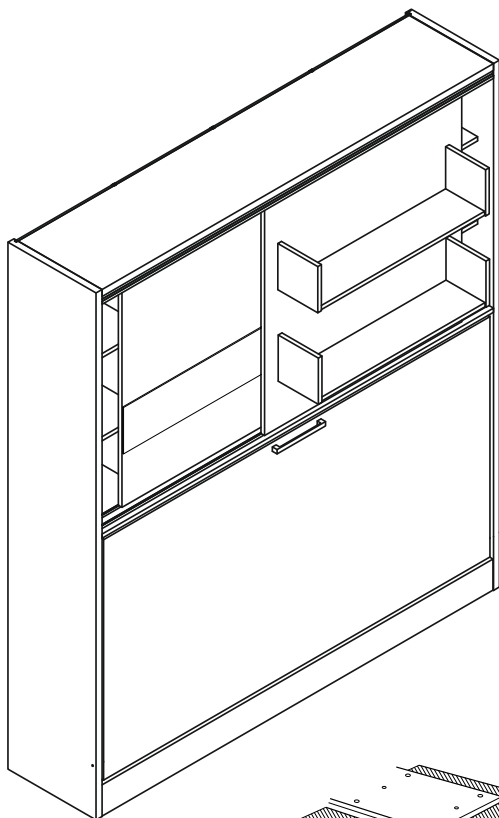




MULTIMO

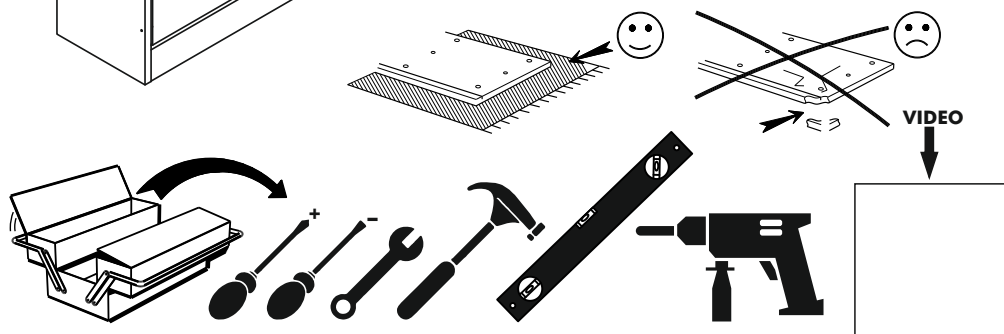
A 214- PARETE LETTO



Technical Service




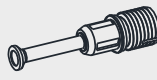
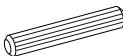

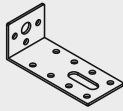
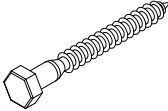
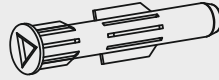

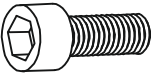


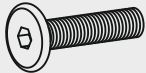
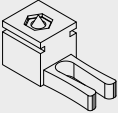
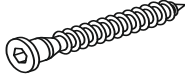
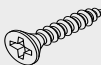
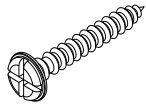




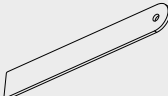
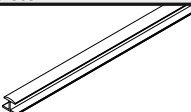
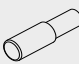

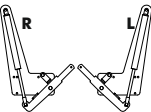
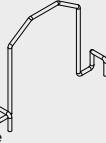
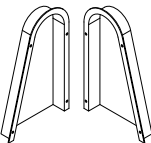

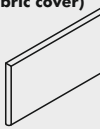
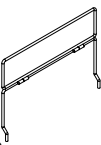
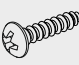
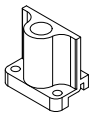



End User

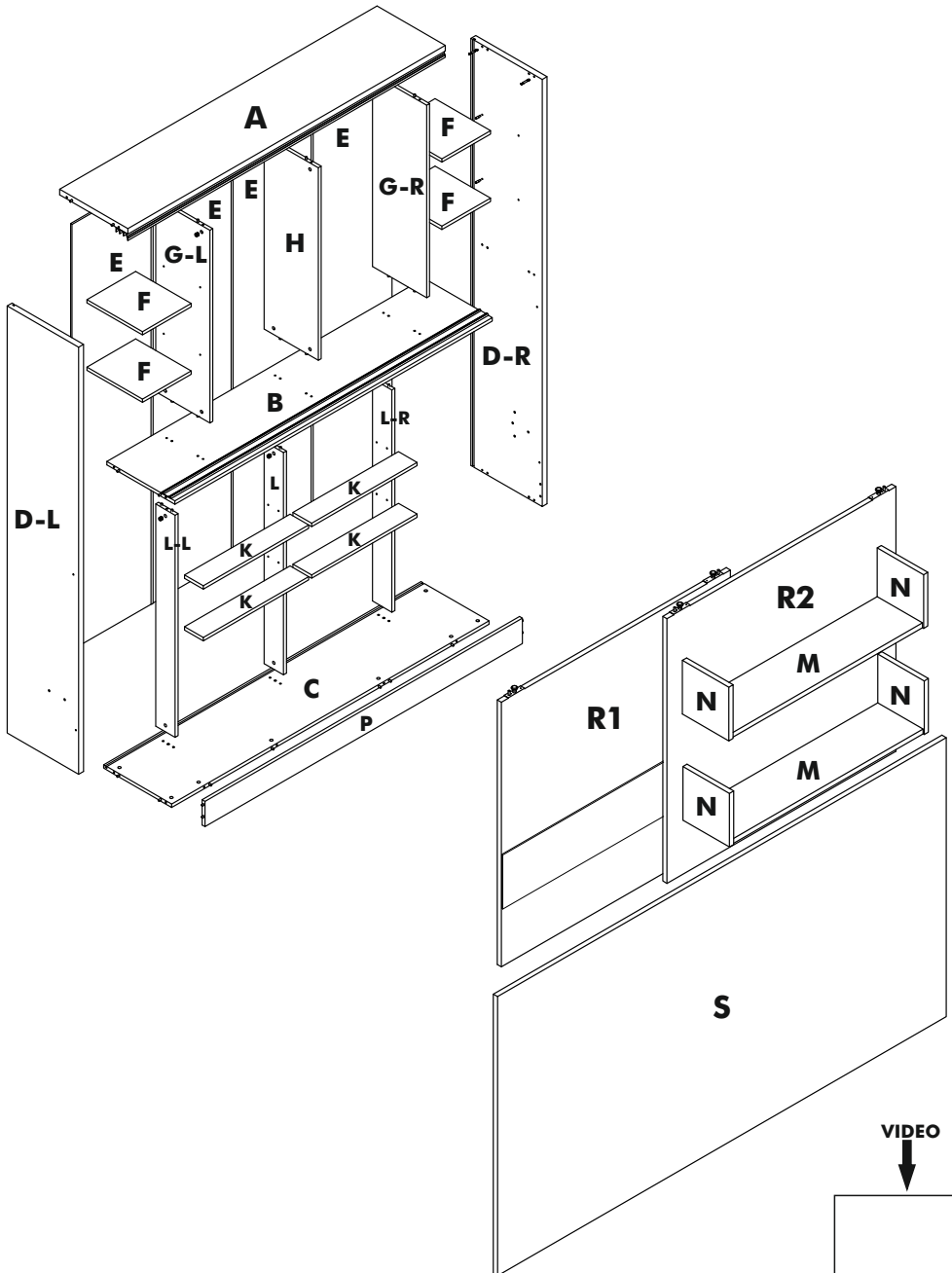


Assembly Instructions

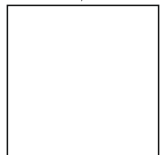
Track Title	Piece	(inch)			(mm)			
		Thickness	Length	Width	Piece	Thick	Height	Most
A		1,18	77,01	16,54	1	30	1956	420
B		0,71	77,01	16,54	1	18	1956	420
C		0,71	77,01	16,54	1	18	1956	420
D		1,18	89,76	17,32	2	30	2280	440
E		0,31	89,41	19,37	4	8	2271	492
F		0,71	11,81	12,99	4	18	300	330
G		0,71	40,47	13,15	2	18	1028	334
H		0,71	40,47	13,15	1	18	1028	334
K		0,71	25,59	4,65	4	18	650	118
L		0,71	46,69	4,72	1	18	1186	120
L-R / L-L		0,71	46,69	4,72	2	18	1186	120
M		0,71	32,28	7,68	2	18	820	195
N		0,71	7,87	7,87	4	18	200	200
P		0,71	77,01	5,31	1	18	1956	135
R-1		0,71	38,82	38,82	1	18	986	986
R-2		0,71	38,82	38,82	1	18	986	986
S		0,71	75,98	40,94	1	18	1930	1040

Accessories List

<p>MNG - 01</p>  <p>42 / piece</p>	<p>MNX 02</p>  <p>42 / piece</p>	<p>KVL 01</p>  <p>64 / piece</p>	<p>TAP - 01</p>  <p>42 / piece</p>
<p>DSE - 01 (40x90x32) mm</p>  <p>3 / piece</p>	<p>TFC - 01(8x70) mm</p>  <p>3 / piece</p>	<p>DD - 01 (R12)</p>  <p>3 / piece</p>	<p>OT-054</p>  <p>2/ piece</p>
<p>IM - 01 (6x30) mm</p>  <p>4 / piece</p>	<p>VTB - 01 (4,8x16) mm</p>  <p>12 / piece</p>	<p>VKP - 01 (22) mm</p>  <p>2 / piece</p>	<p>CT - 01 (6x40) mm</p>  <p>2 / piece</p>
<p>STP - 01</p>  <p>4 / piece</p>	<p>VDA - 01 (6,5x50) mm</p>  <p>6 / piece</p>	<p>VD - 03 (3,5x18) mm</p>  <p>8 / piece</p>	<p>VD - 02 (3,5x25) mm</p>  <p>28 / piece</p>
<p>AVT - 01</p>  <p>8 / piece</p>	<p>AF - 01</p>  <p>4 / piece</p>	<p>KP - 01 (224) mm</p>  <p>1 / piece</p>	<p>BO - 01</p>  <p>2 / piece</p>
<p>SC-61</p>  <p>2 / piece</p>	<p>H 01</p>  <p>3 / piece</p>	<p>PM - 01</p>  <p>16 / piece</p>	<p>PL - 02 (8x22x1) mm</p>  <p>3 / piece</p>
<p>MKZ - 02</p>  <p>2 / piece 350N</p>	<p>TTC 01</p>  <p>4 / piece</p>	<p>KMT-01</p>  <p>1 / piece</p>	<p>VTB - 02 (4,2x16) mm</p>  <p>8 / piece</p>
<p>KLF 02 (fabric cover)</p>  <p>1 / piece</p>	<p>KOR 02</p>  <p>1 / piece</p>	<p>YSB - 02 (4x20) mm</p>  <p>4 / piece</p>	<p>KBP - 01</p>  <p>2 / piece</p>
<p>KKS - 01</p>  <p>2 / piece</p>	<p>AL - 01 (4MM)</p>  <p>1 / piece</p>	<p>AL - 02 (5MM)</p>  <p>1 / piece</p>	



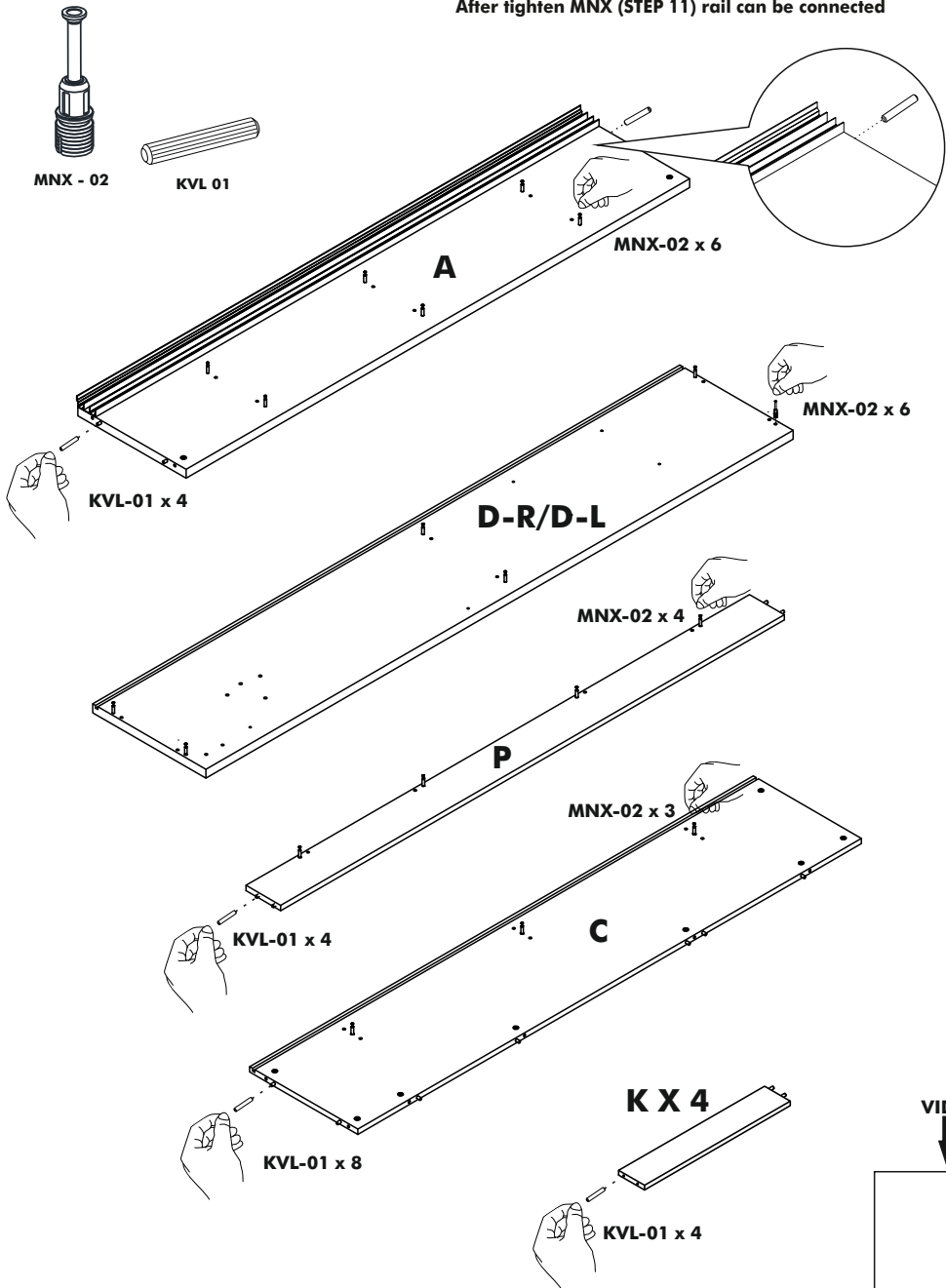
VIDEO
↓



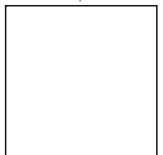
link

STEP 1

Rail should be disconnected before tighten MNX
After tighten MNX (STEP 11) rail can be connected

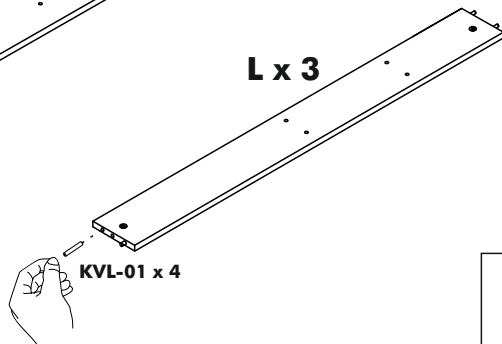
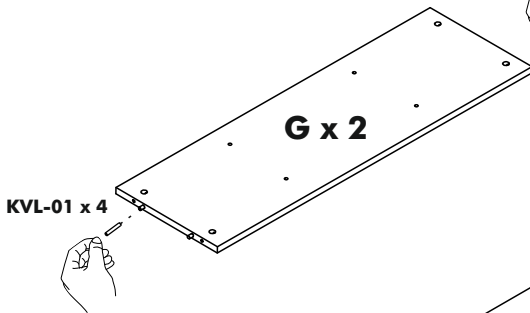
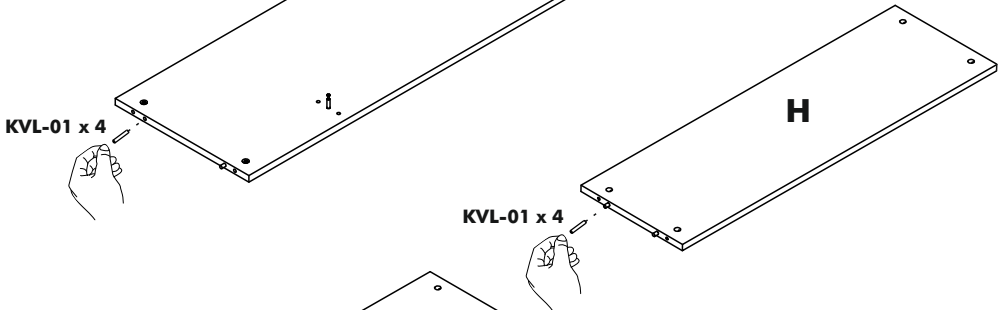
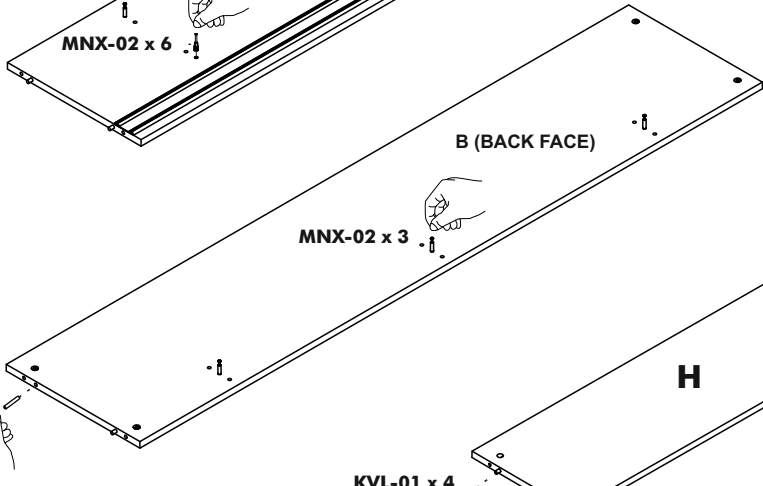
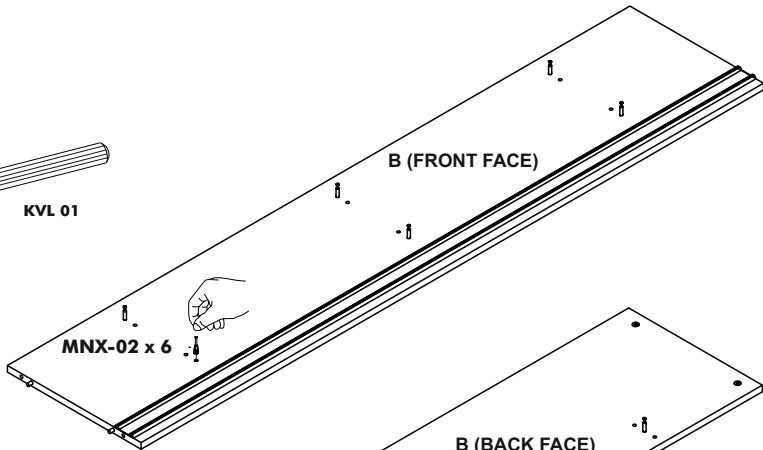
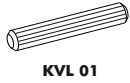
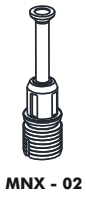


VIDEO

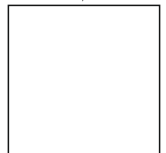


link

STEP 2



VIDEO

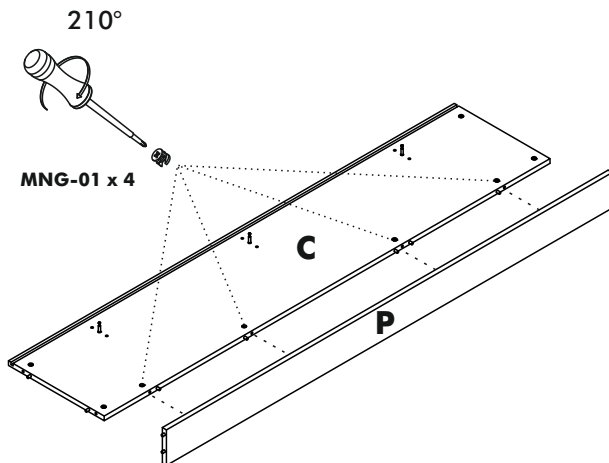


link

STEP 3



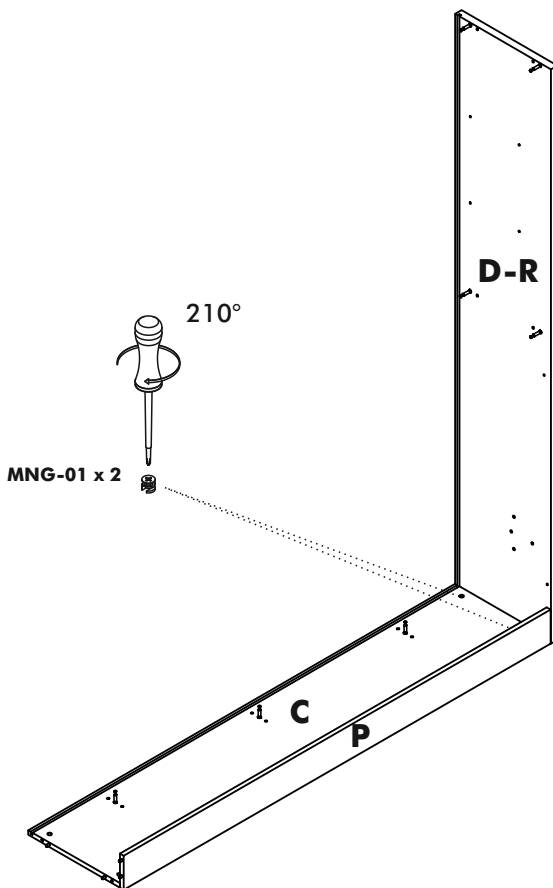
MNG - 01



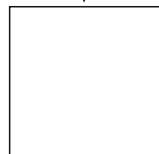
STEP 4



MNG - 01



VIDEO

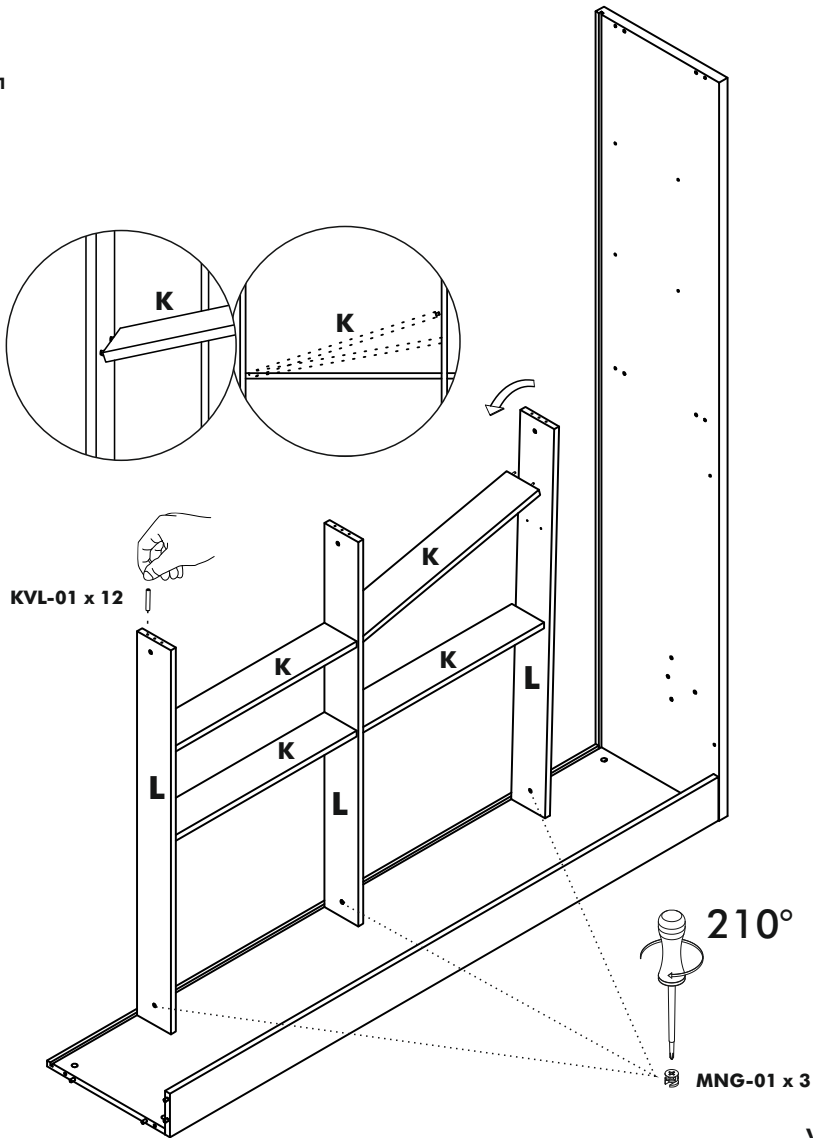


link

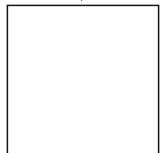
STEP 5



MNG - 01



VIDEO

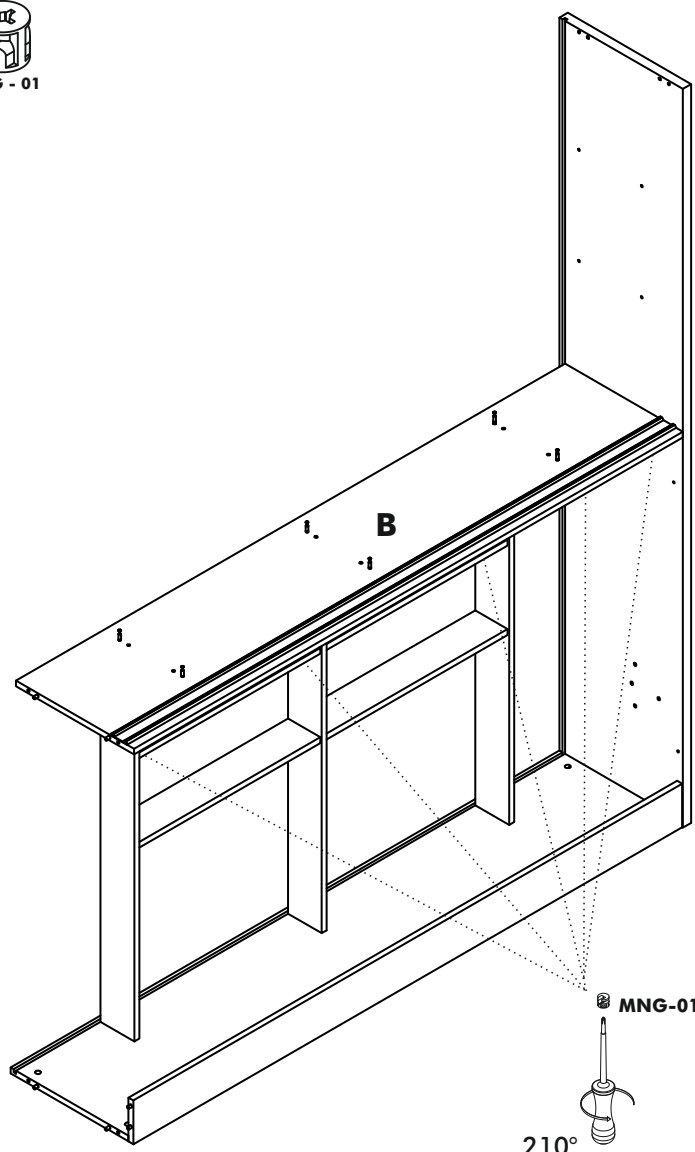


link

STEP 6



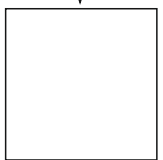
MNG - 01



MNG-01 x 5

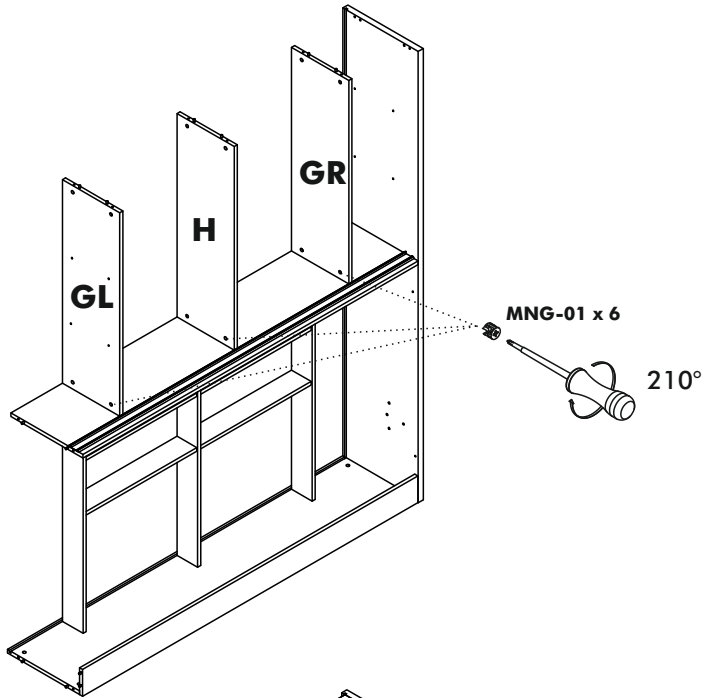
210°

VIDEO

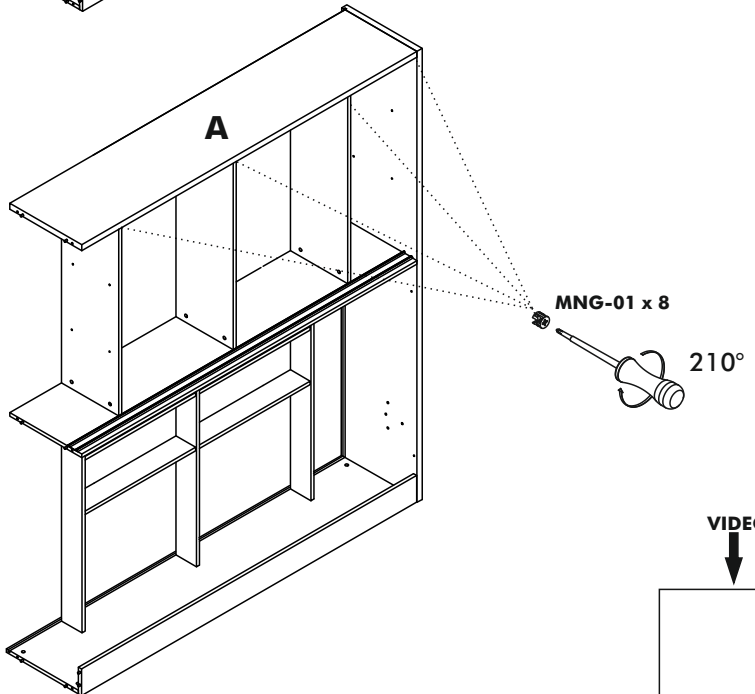


link

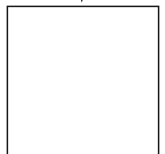
STEP 7



STEP 8

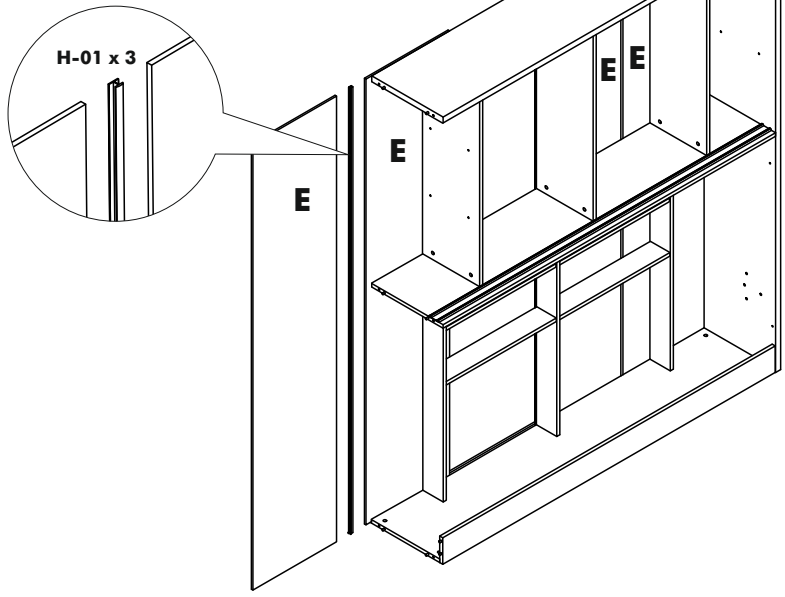


VIDEO

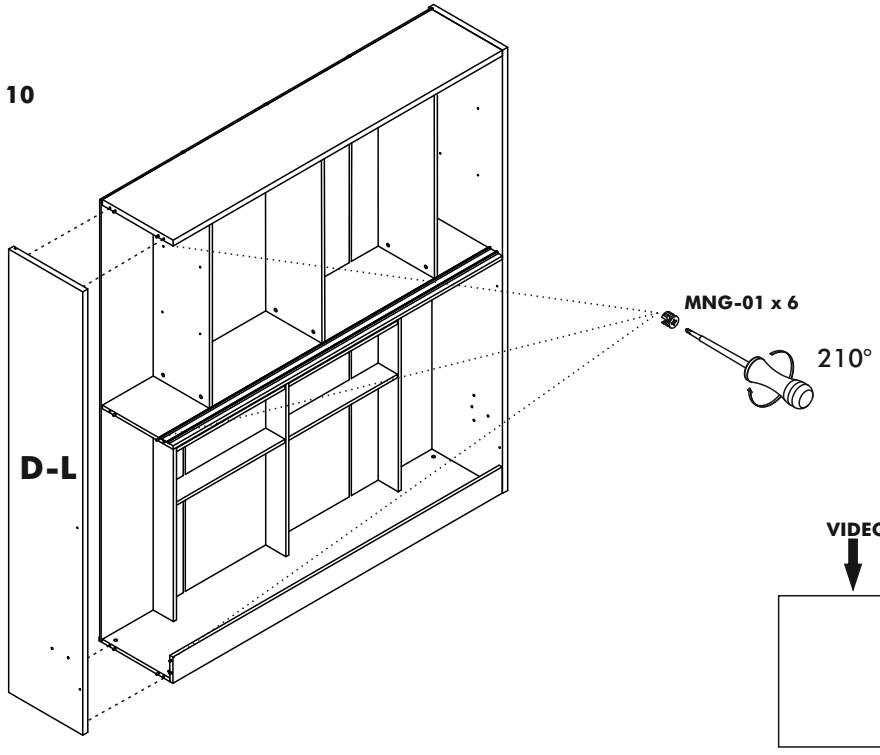


link

STEP 9



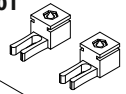
STEP 10



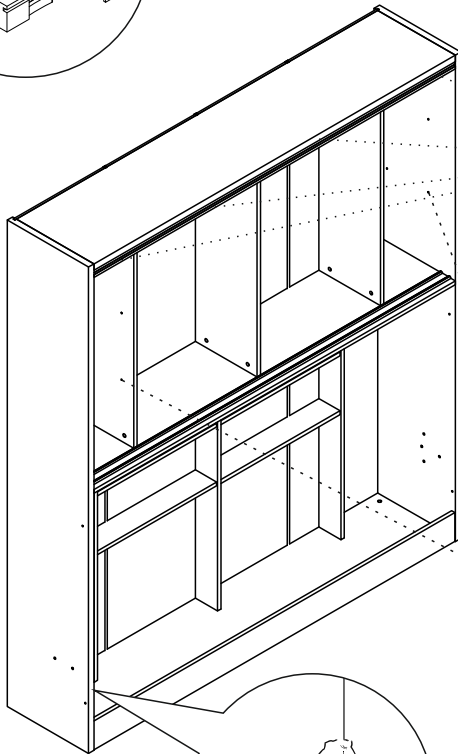
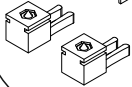
STEP 11



SPT-01



SPT-01



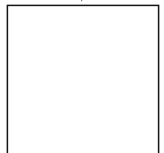
PM - 01 x 16



TAP - 01

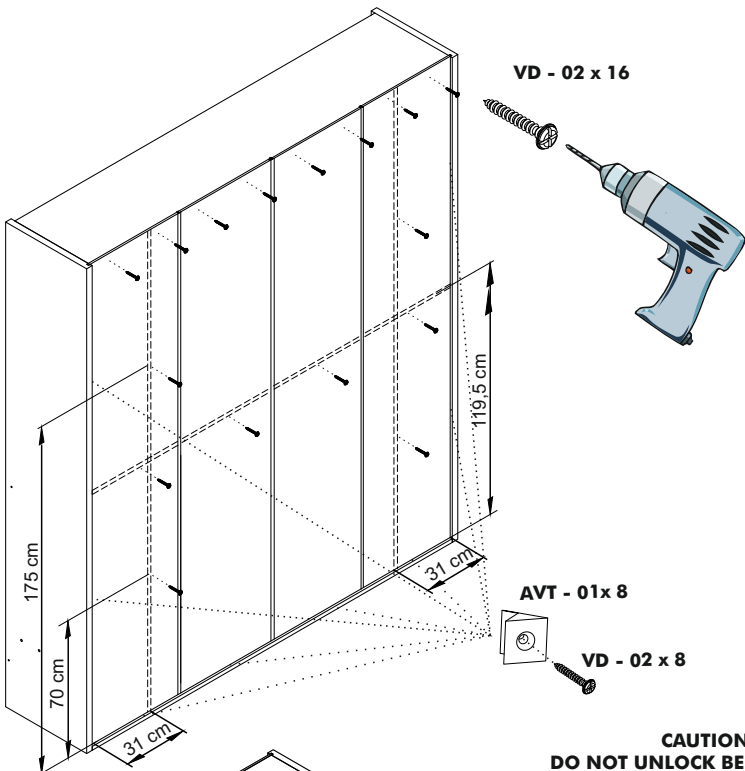


VIDEO

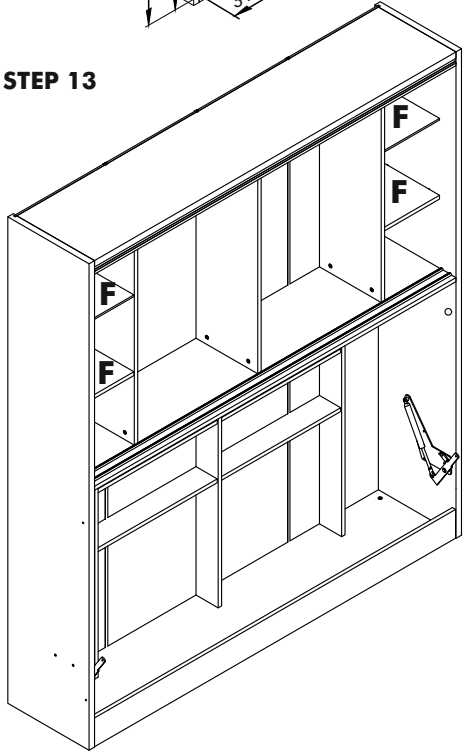


link

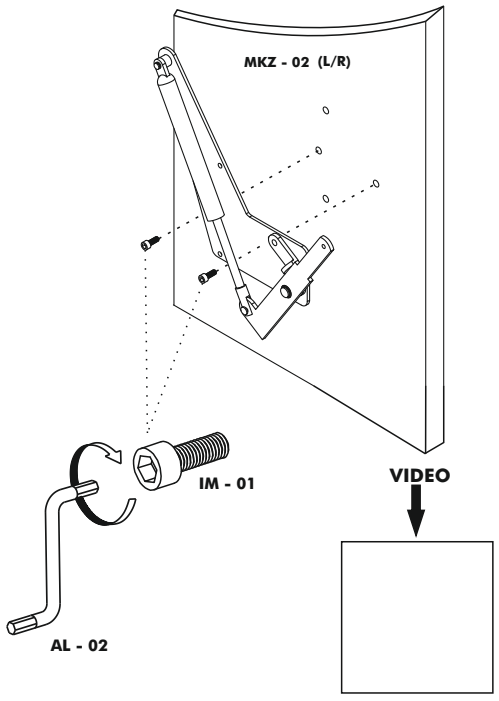
STEP 12



STEP 13

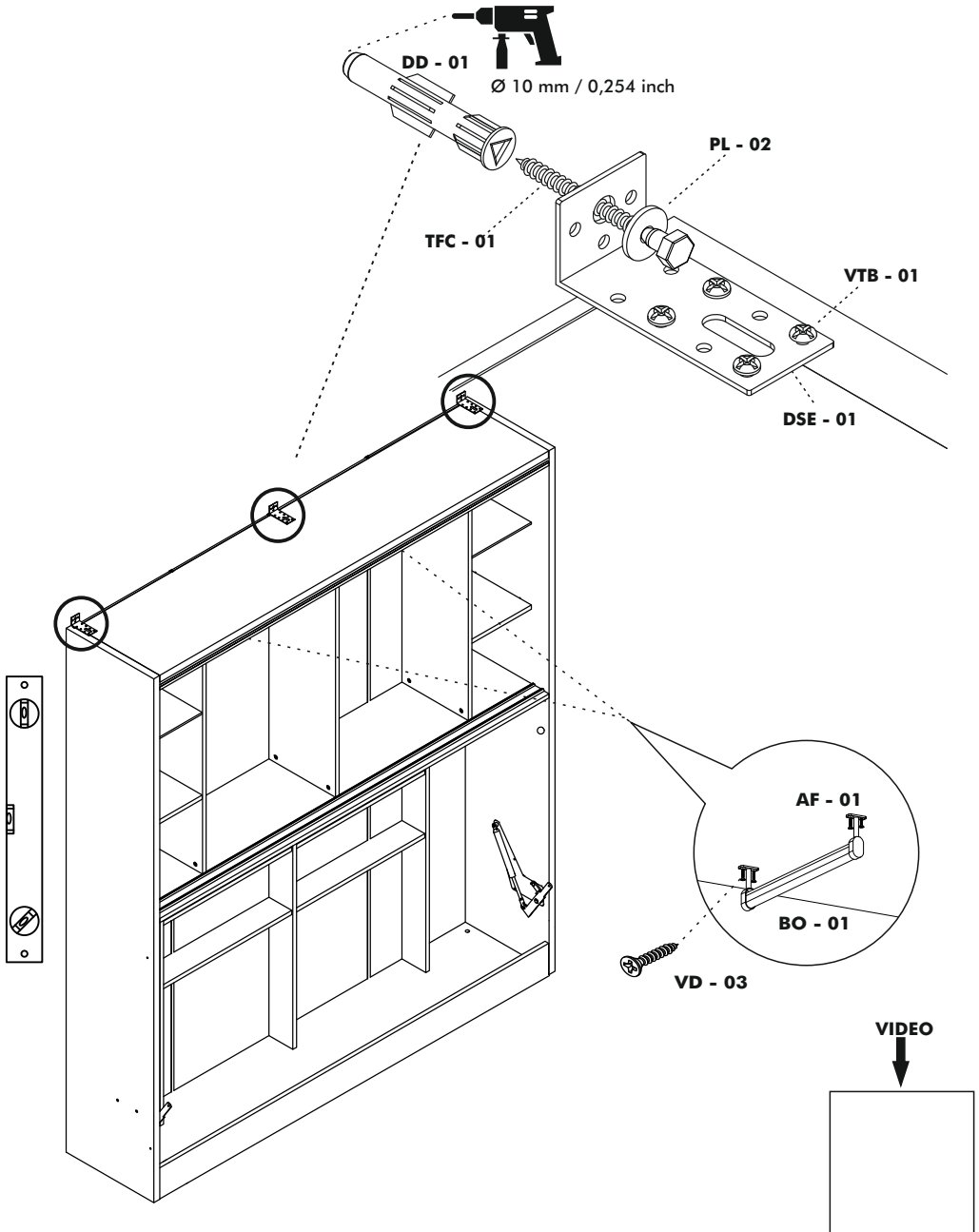


CAUTION
DO NOT UNLOCK BEFORE INSTALL



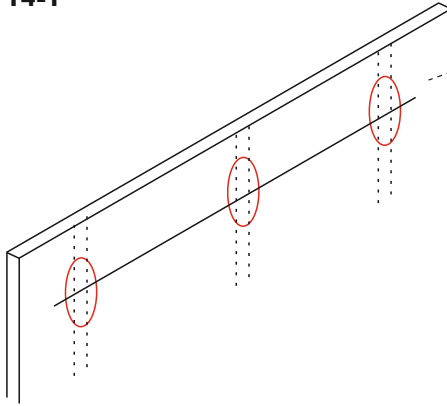
**ATTENTION!!!****STEP 14**

Must be secured to the wall made of brick, concrete or similarly strong material.
Mounting to wooden or metal studs is also acceptable.
Do not mount directly to sheetrock or paper-mache type walls not supported by studs.



WALLS MADE OF DRYWALL WITH WOODEN OR METAL STUDS

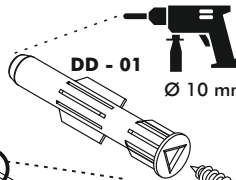
STEP 14-1



Ø 10 mm / 0,254 inc

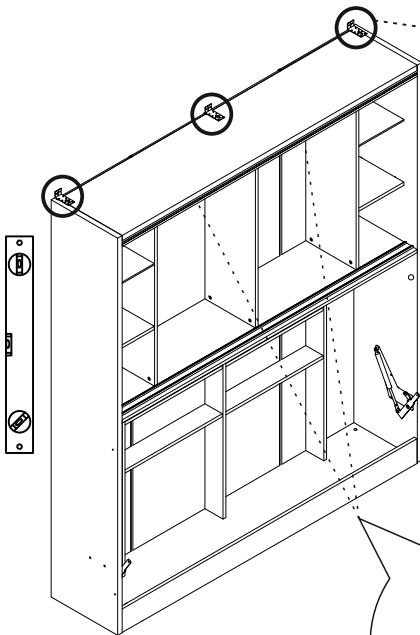


FIRST LOCATE THE STUDS BY USING "STUD FINDER" IN THE WALL AND DRILL IT ACCORDING TO THE HEIGHT MEASUREMENTS GIVEN ON THE SIDE. UPPER HOLES SHOULD BE DRILLED FOR ATTACHING BED AT NEXT STEP.



DD - 01

Ø 10 mm / 0,254 inch

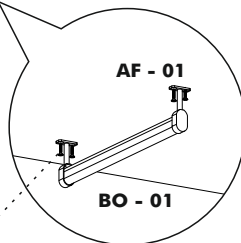


TFC - 01

PL - 02

VTB - 01

DSE - 01



AF - 01

BO - 01



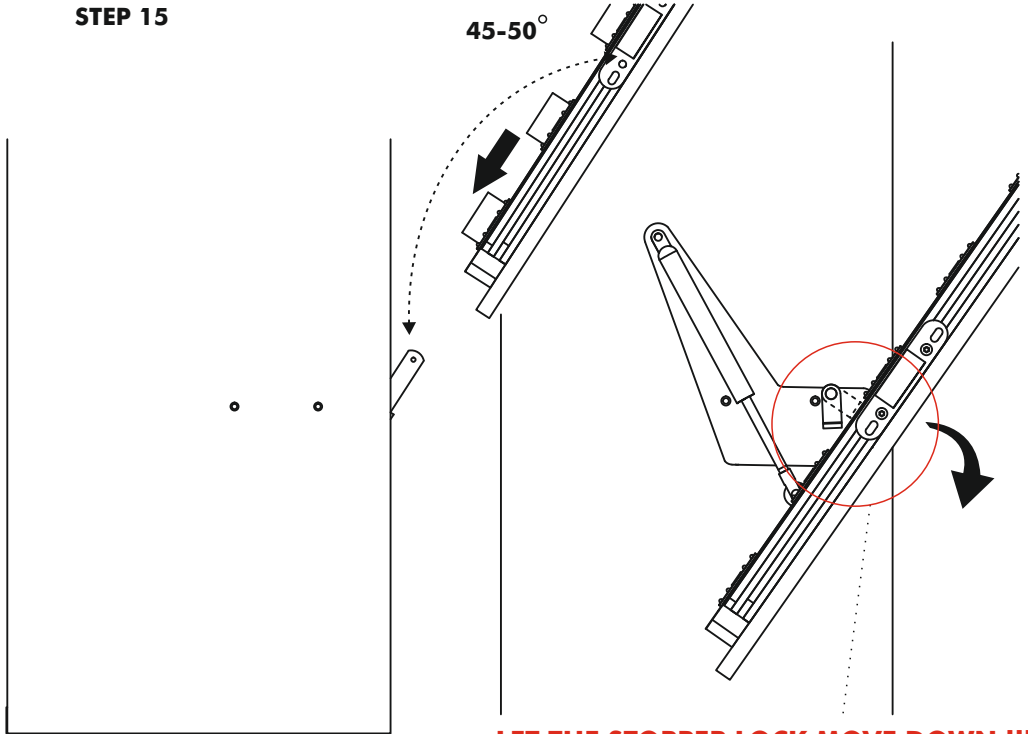
VD - 03

NOT INCLUDED

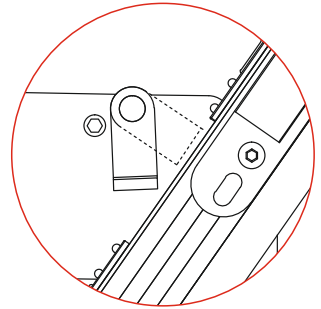
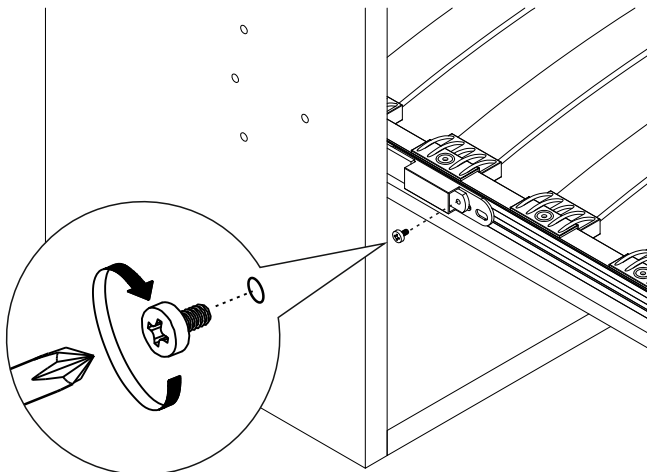
SUPPLY DRYWALL FASTENERS APPROPRIATE TO YOUR WALL TYPE. WE RECOMMEND USING STEEL TOGGLE BOLT ANCHOR THAT SHOWN BELOW



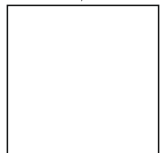
STEP 15



LET THE STOPPER LOCK MOVE DOWN !!!

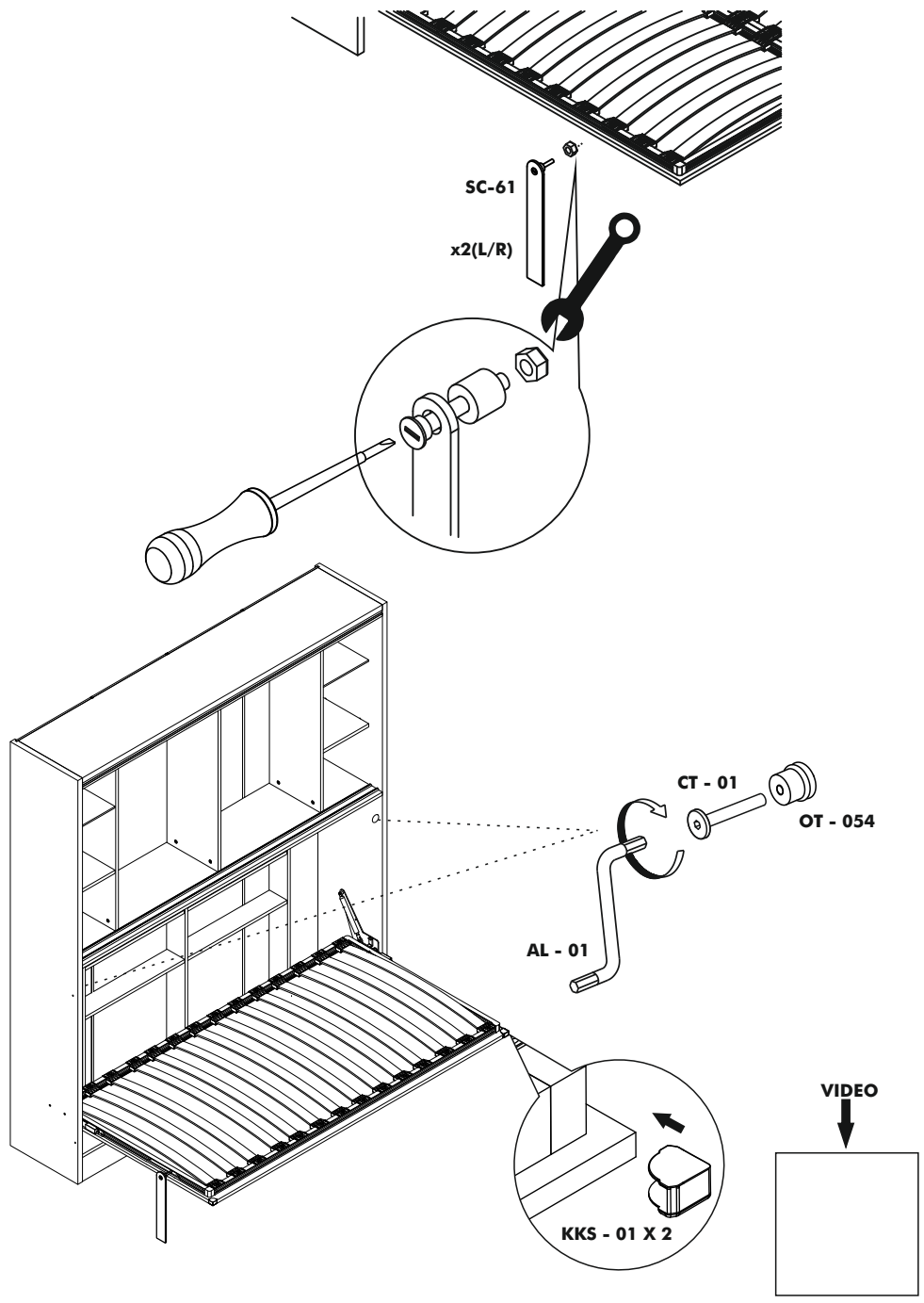


VIDEO

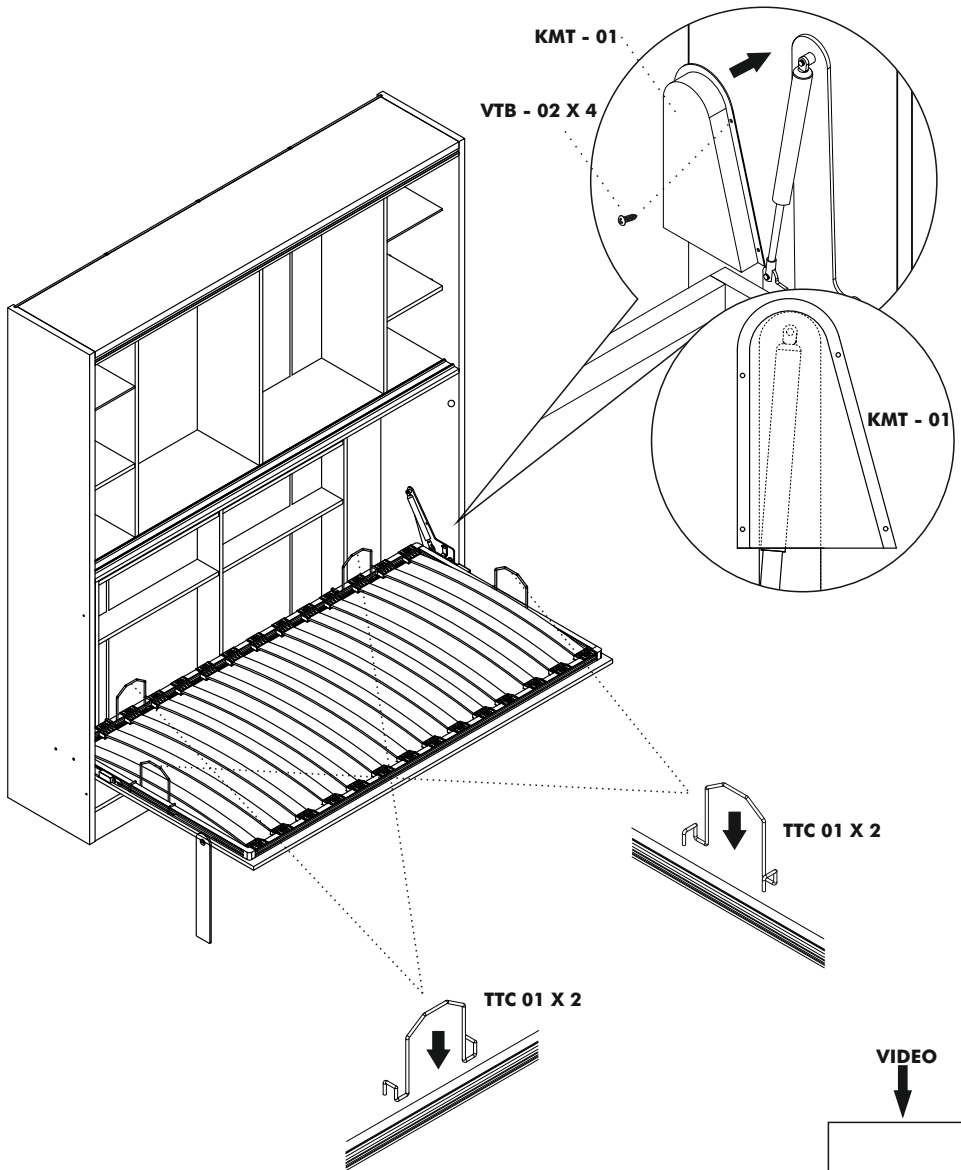


link

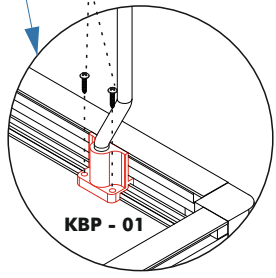
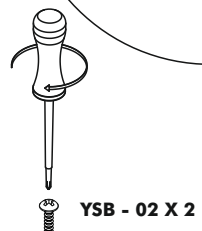
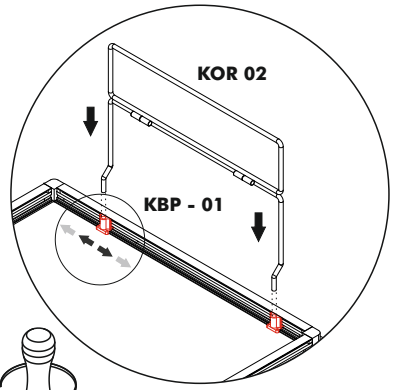
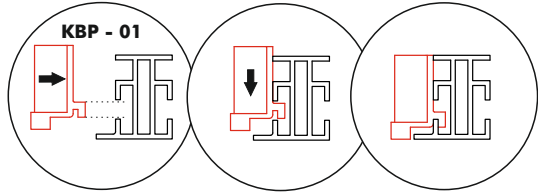
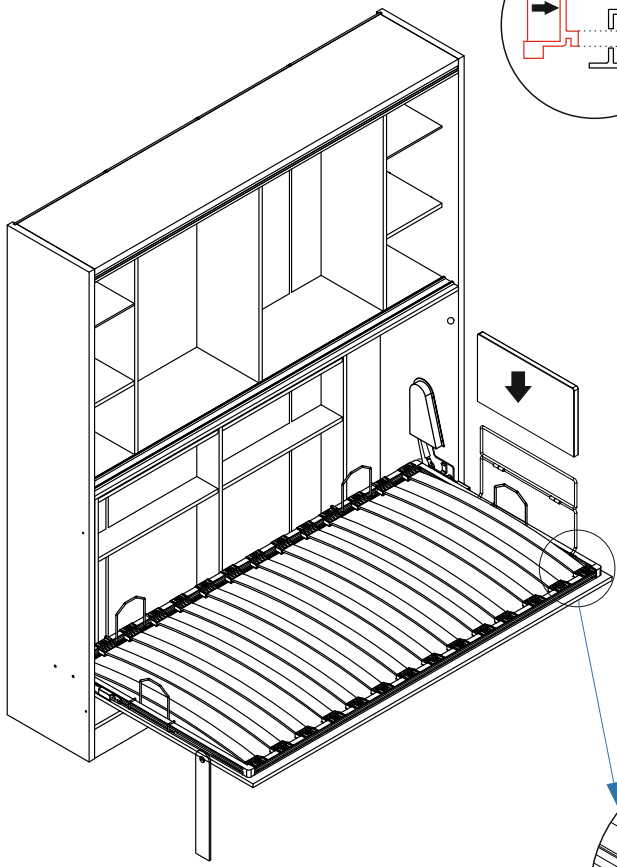
STEP 16



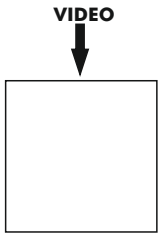
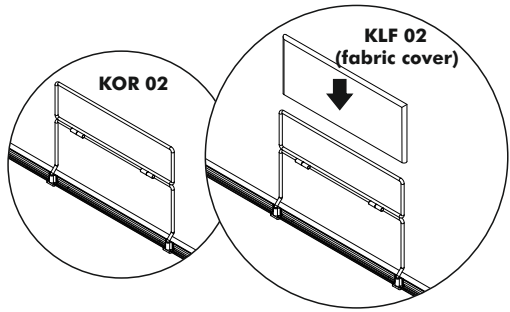
STEP 17



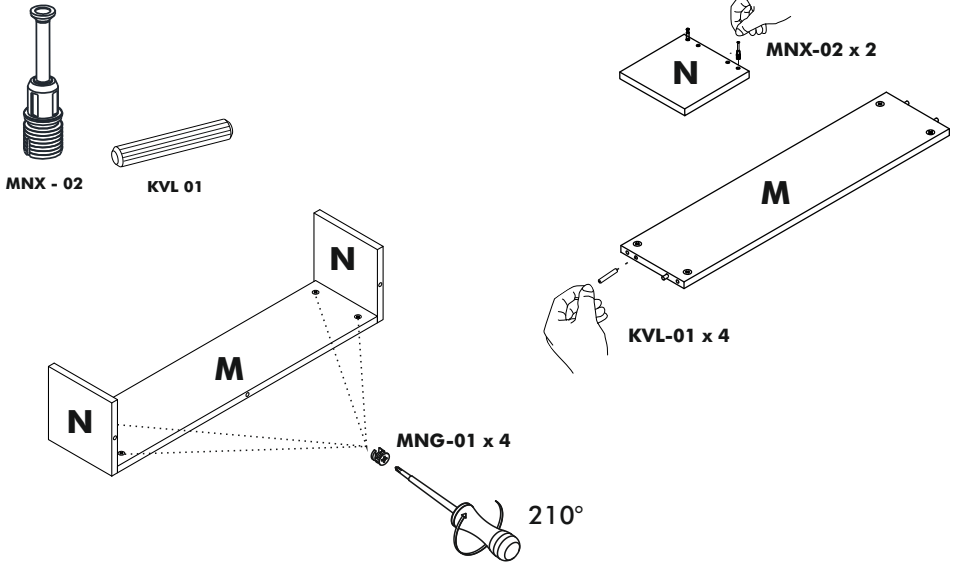
STEP 18



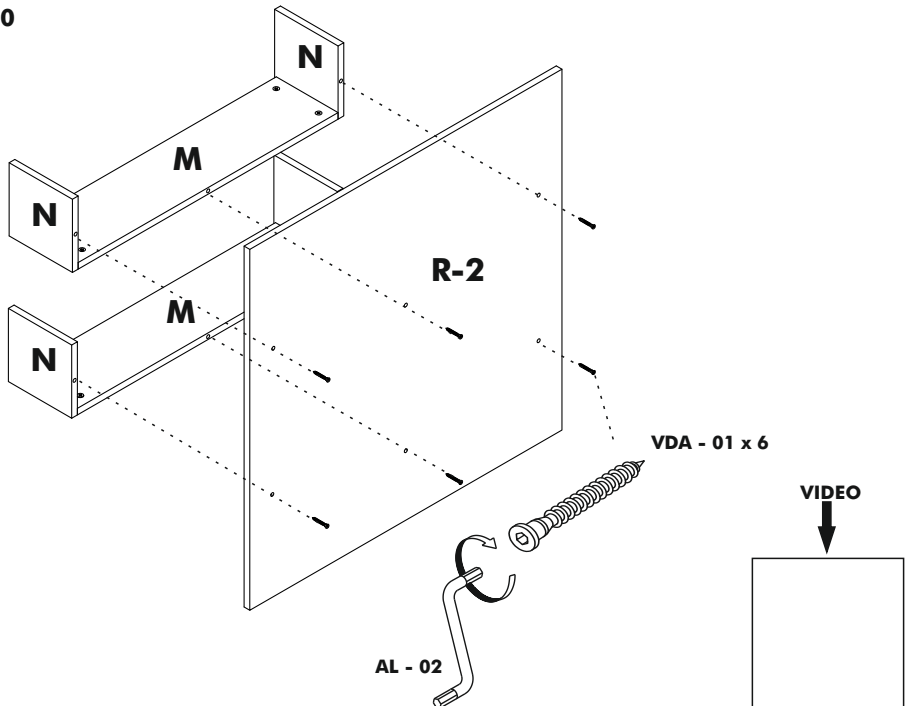
CAUTION !
MAKE SURE THAT HEADBOARDS
AND GUARDRAILS ARE FOLDED
BEFORE CLOSING THE BED



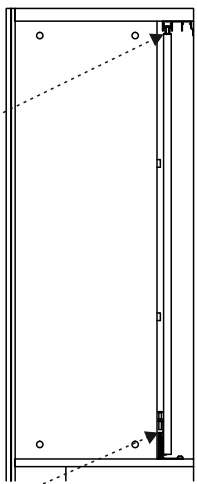
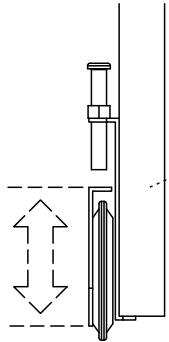
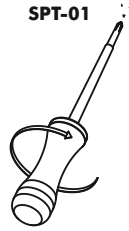
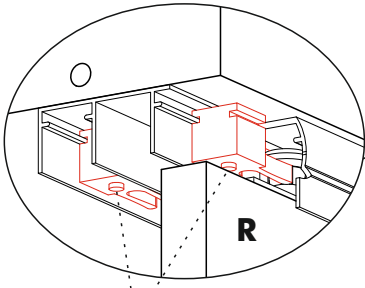
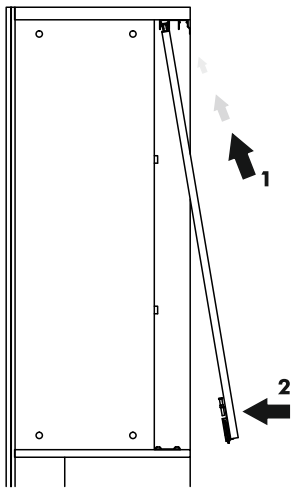
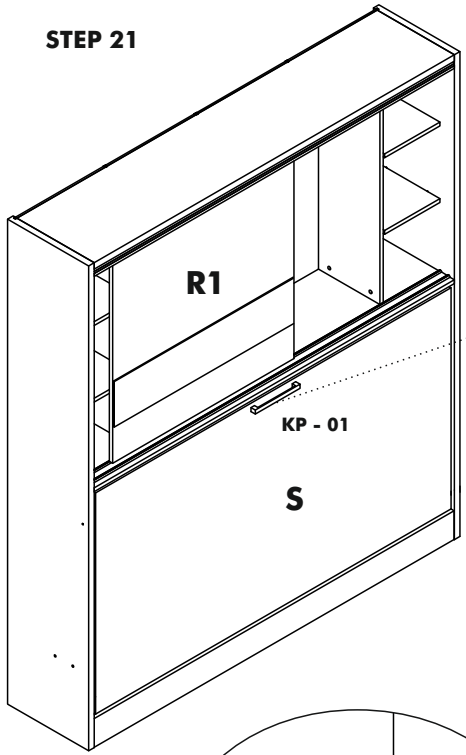
STEP 19



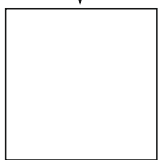
STEP 20



STEP 21

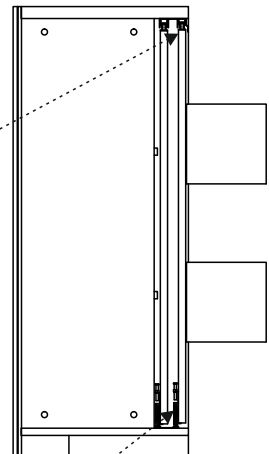
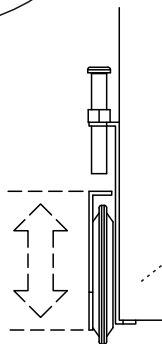
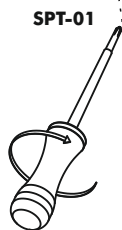
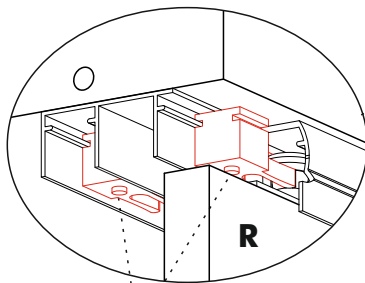
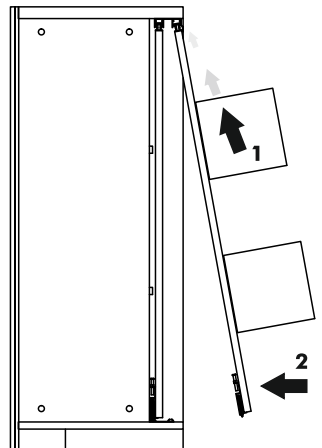
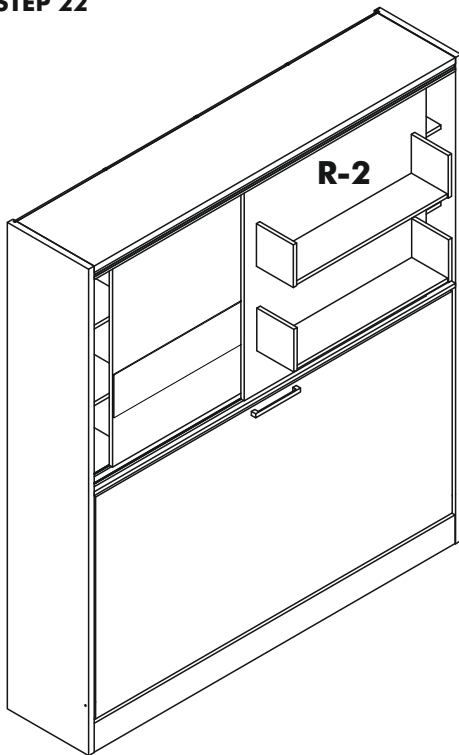


VIDEO

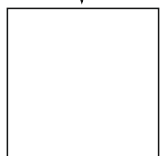


link

STEP 22



VIDEO



link

1. Wall beds must be securely attached to the wall. Hardware for mounting to concrete, brick or similar strong material is included.
2. When mounting to drywall, wall beds must be attached to wooden or metal studs in 2 or 3 points. Do not mount wall beds directly to drywall or paper-mache type wall without properly attaching it to studs. Please choose appropriate fasteners for the type of wall the bed will be mounted on. Drywall mounting hardware is not included.
3. For safety and product longevity you must periodically inspect the integrity and tightness of the mounting and mechanical connections. Confirm hardware remains properly affixed and connections are snug.
4. Do not lean or rest heavy objects on sides or top of furniture. This may cause balance issues and compromise the integrity of your mounting connections.
5. Please use wall beds and integrated shelves, desks and sofas as intended. Do not jump and/or exceed supported weight limits. Do not sit or lean on integrated shelves and desks. Improper use may cause personal injury and damage to property.
6. With seasonal humidity change please inspect the interior and exterior of the furniture for deformation and/or discoloration.
7. Before any un-mounting or disassembly please contact Multimo Beds for technical support and instructions. Failure to properly detach may result in personal injury and damage to property.



WARNINGS

IMPORTANT! HAZARD WARNING!

All Wall Beds contain sophisticated and powerful lifting mechanism. Failure to follow assembly and installation instructions may result in **severe personal injury and damage of the product.**

SECURE RIGIDLY TO A WALL!

Improper attaching wall bed to a wall will create a tip-over hazard and may result in severe personal injury or even death. **ONLY qualified installers should install or remove a wall bed.**



WARRANTY

RETAIL RESIDENTIAL TERM

Lifetime guarantee on hardware.
5 year structural guarantee on cabinetry.

COMMERCIAL TERM

Lifetime guarantee on hardware.
2 year structural guarantee on cabinetry.



www.multimobeds.com