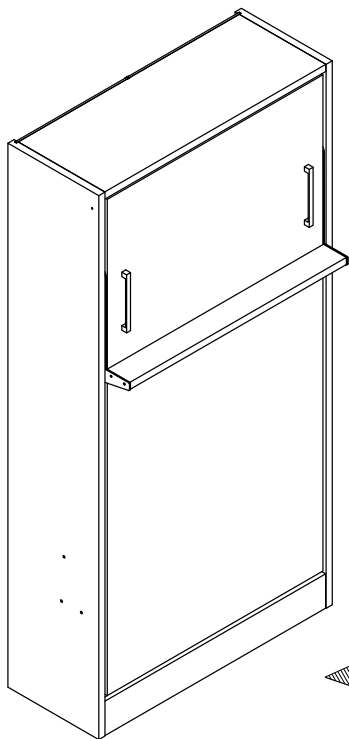


MULTIMO

A 514 ROYAL TWIN BED



55 min.



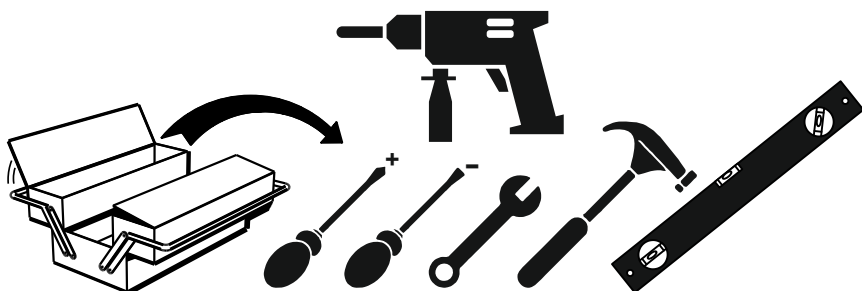
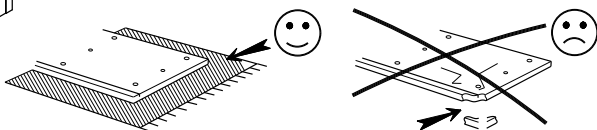
Technical Service



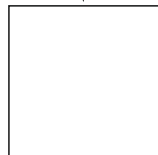
100 min.



End User



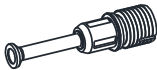


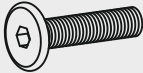
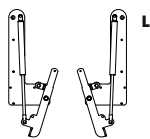
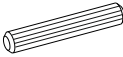

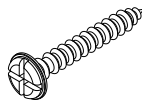

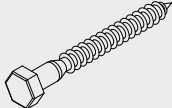
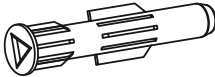

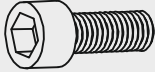
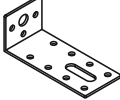


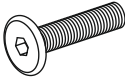

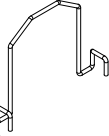




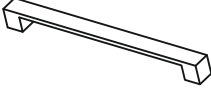
VIDEO

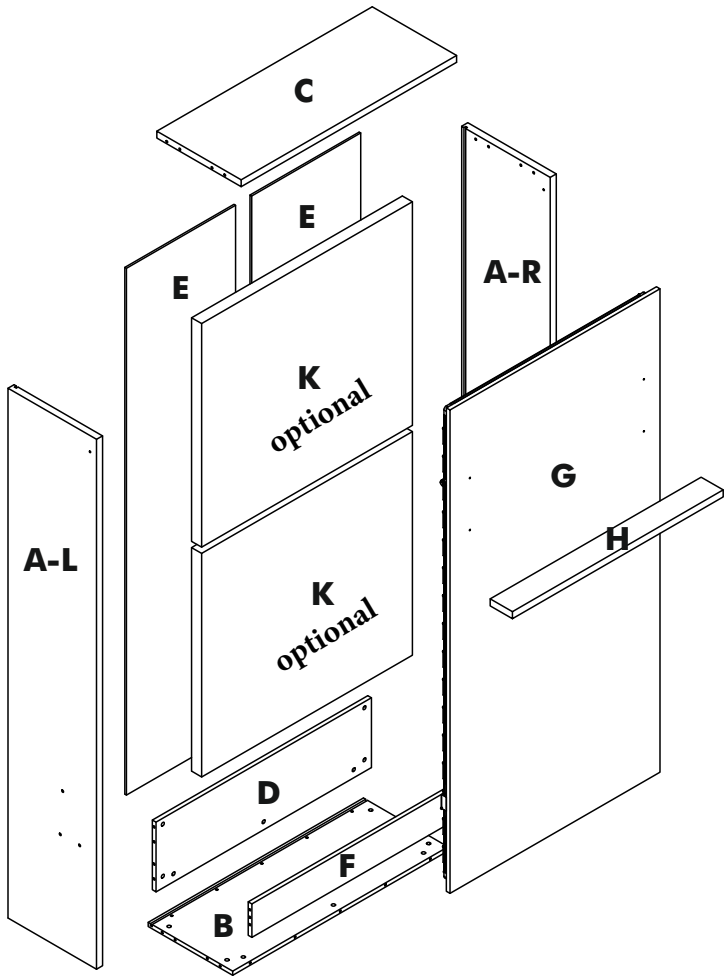


link

Track Title	Piece	(inch)			(mm)			
		Thickness	Length	Width	Piece	Thick	Height	Most
A	2	1,18	89,76	17,32	2	30	2280	440
B	1	0,71	42,13	16,54	1	18	1070	420
C	1	1,18	42,13	16,50	1	30	1070	419
D	1	0,71	42,13	11,81	1	18	1070	300
E	2	0,31	89,25	21,34	2	8	2267	542
F	1	0,71	42,13	5,67	1	18	1070	144
G	1	0,71	81,89	41,10	1	18	2080	1044
H	1	1,18	41,26	4,33	1	30	1048	110
K	2	1,97	37,87	41,93	2	50	962	1065

Accessories List

MNX 02  22 / piece	MNG - 01  22 / piece	OT-054  2 / piece	CT - 01 (6x40) mm  2 / piece
MKZ - 03  1 / piece	KVL 01  22 / piece	VDA - 01 (6,5x50) mm  4 / piece	VD - 02 (3,5x25) mm  22 / piece
PL - 02 (8x22x1) mm  2 / piece	TFC - 01(8x70) mm  2 / piece	DD - 01 (R10)  2 / piece	VTB - 01 (4,8x16) mm  8 / piece
IM - 01 (6x30) mm  4 / piece	DSE - 01 (40x90x32) mm  2 / piece	TAP - 01  22 / piece	TAP - 02  4 / piece
CT - 02 (6x30) mm  2 / piece	VKP - 01 (22) mm  4 / piece	TTC 01  3 / piece	SC - 92  2 / piece
SG - 01  2 / piece	OT-056D  2 / piece	AVT - 01  6 / piece	KP - 01 (224) mm  2 / piece



AL - 02 (5MM)



1 / piece

AL - 01 (4MM)



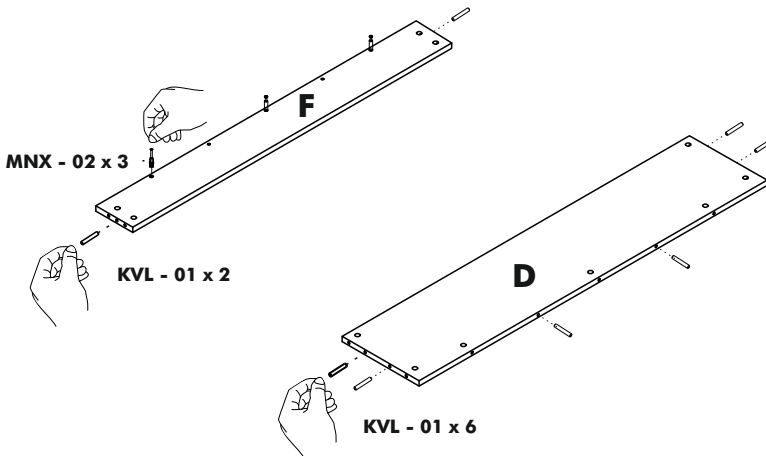
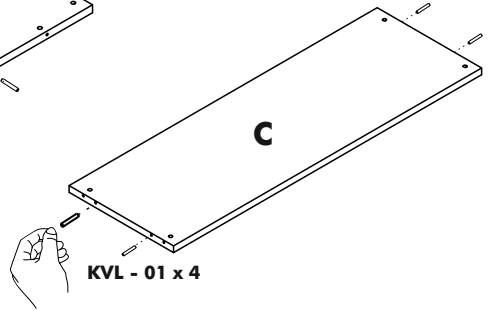
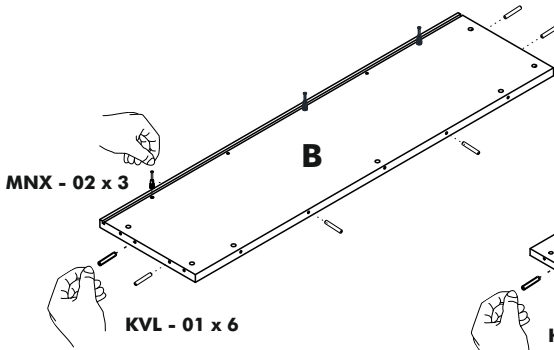
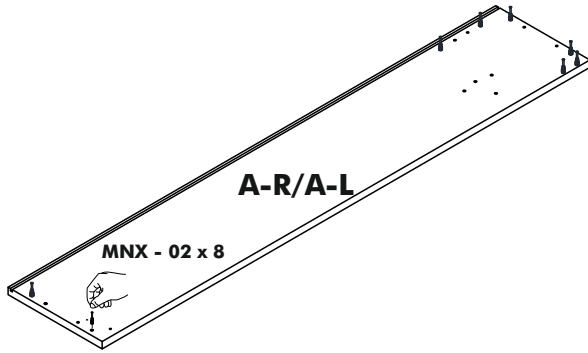
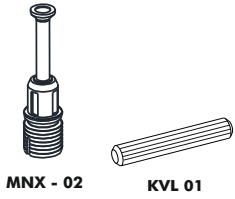
1 / piece

H 01

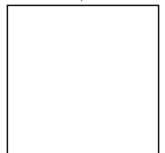


1 / piece

STEP 1

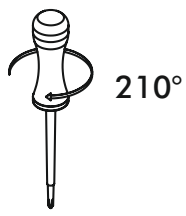


VIDEO

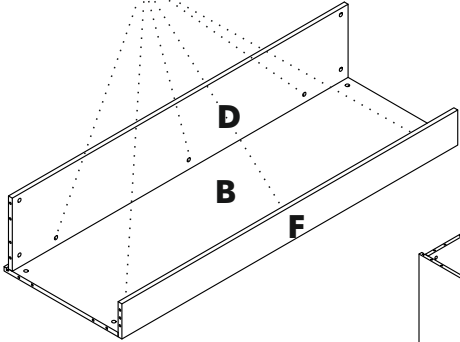


link

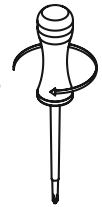
STEP 2



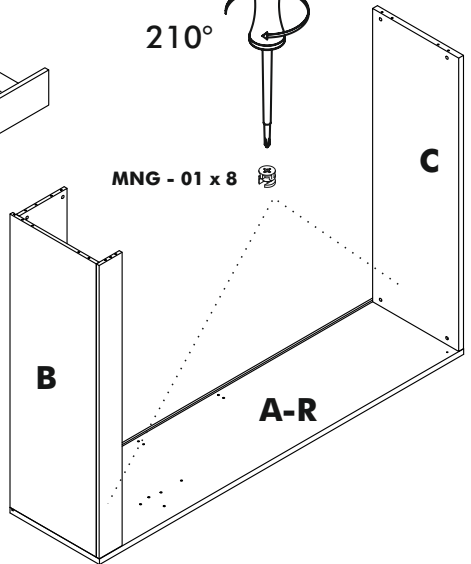
MNG - 01 x 6



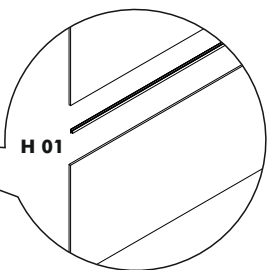
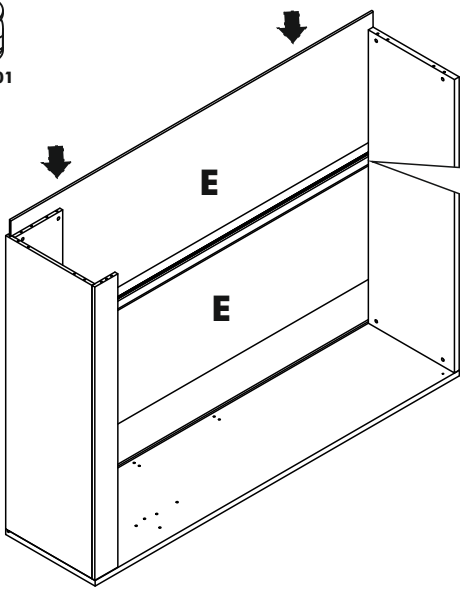
210°



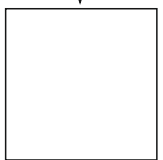
MNG - 01 x 8



STEP 3

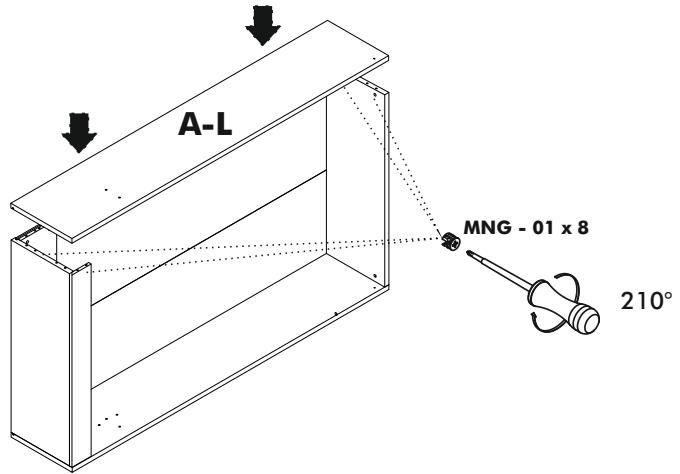


VIDEO

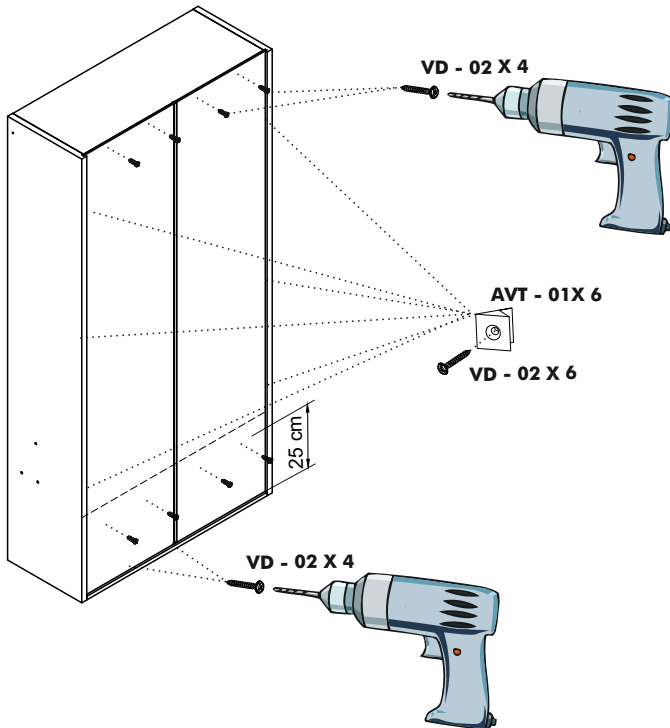


link

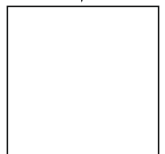
STEP 4



STEP 5



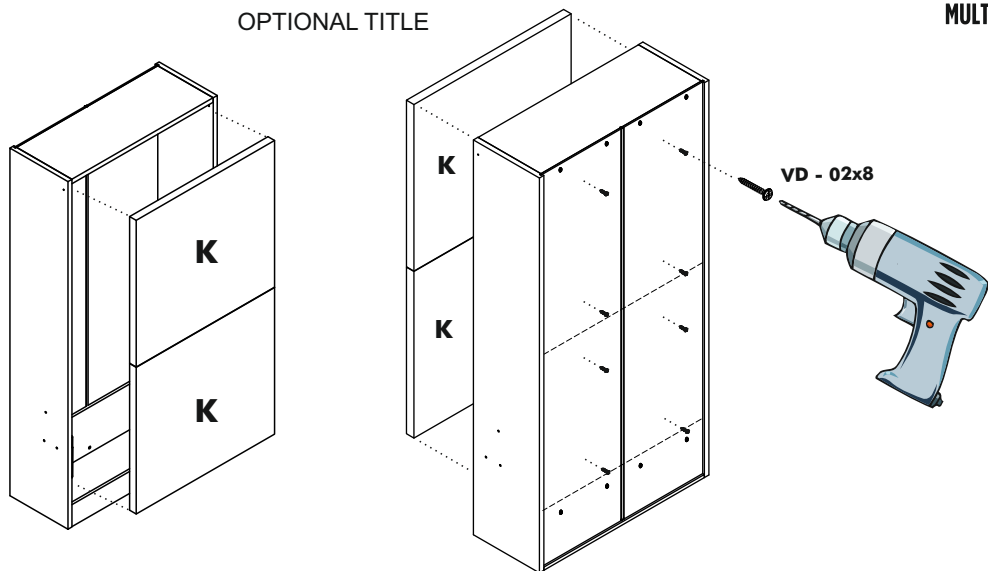
VIDEO



link

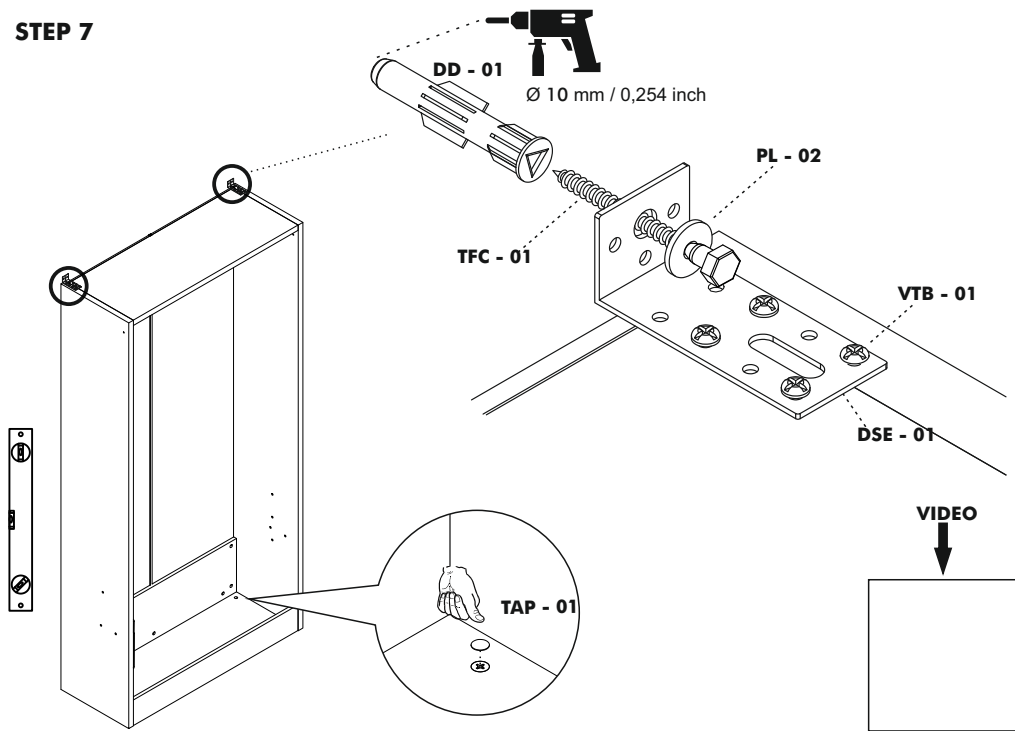
STEP 6

OPTIONAL TITLE



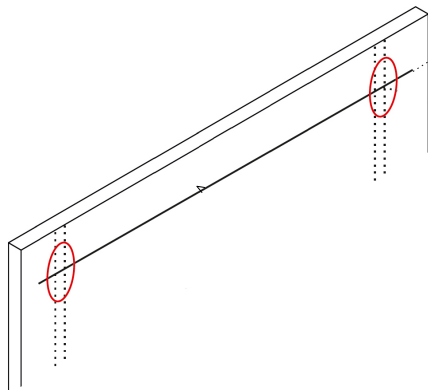
**WALLS MADE OF BRICK, CONCRETE OR HARD SURFACE MOUNTING
(HARDWARE PROVIDED)**

STEP 7



WALLS MADE OF DRYWALL WITH WOODEN OR METAL STUDS

STEP 7-1



Ø 10 mm / 0,254 inch

NOT INCLUDED

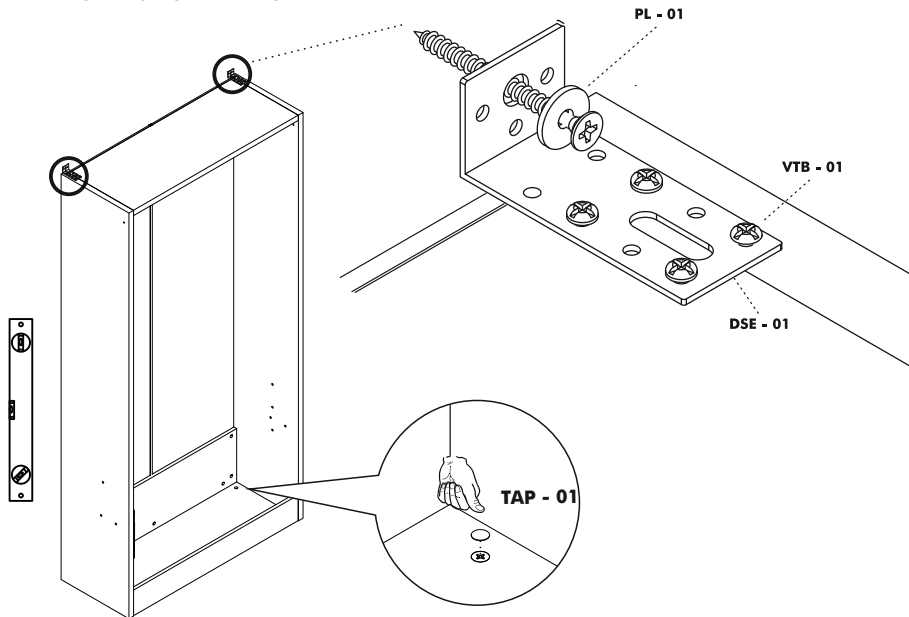
SUPPLY DRYWALL FASTENERS APPROPRIATE TO YOUR WALL TYPE. WE RECOMMEND USING STEEL TOGGLE BOLT ANCHOR THAT SHOWN BELOW



FIRST LOCATE THE STUDS BY USING "STUD FINDER" IN THE WALL AND DRILL IT ACCORDING TO THE HEIGHT MEASUREMENTS GIVEN ON THE SIDE.



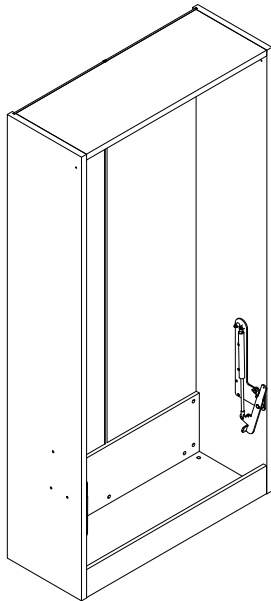
UPPER HOLES SHOULD BE DRILLED FOR ATTACHING BED AT NEXT STEP.



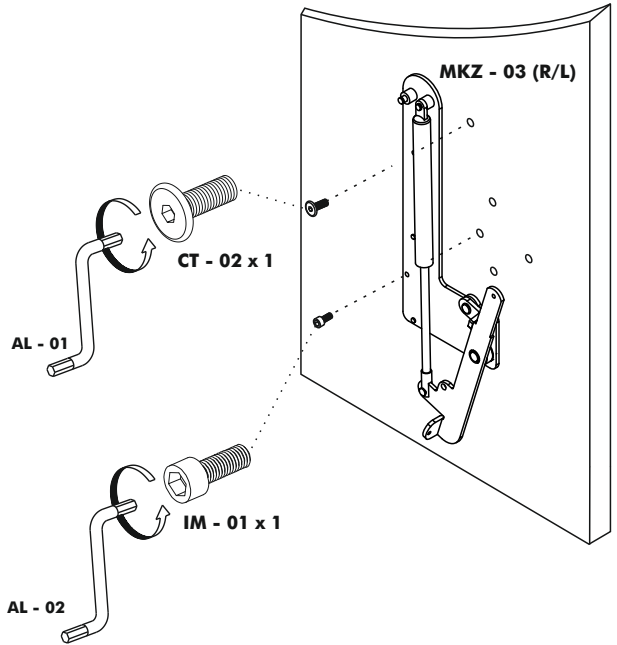
WARNING:

Do not mount furniture on to paper-mache or sheetrock like material properly it to stud.

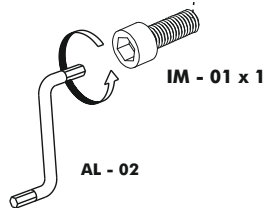
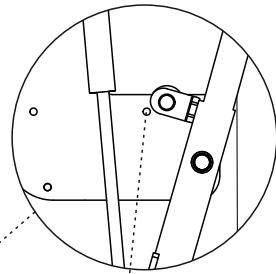
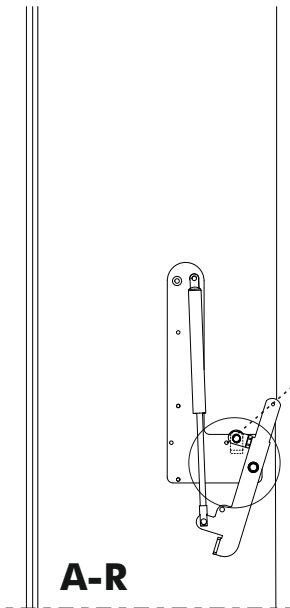
STEP 8



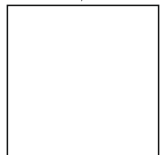
CAUTION
DO NOT UNLOCK BEFORE INSTALL



STEP 9

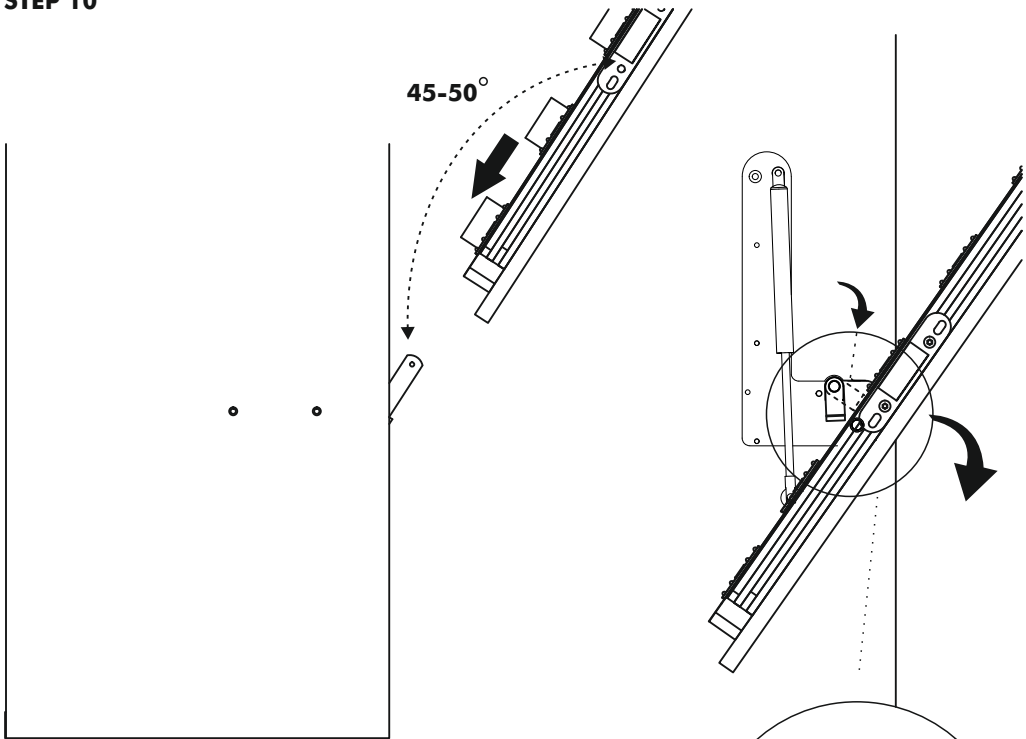


VIDEO

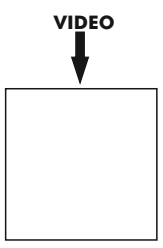
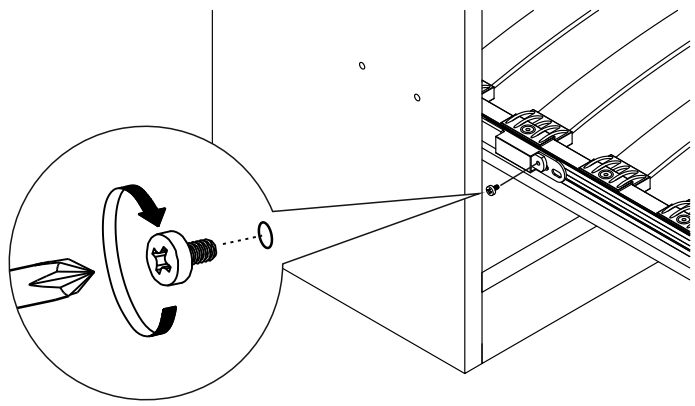
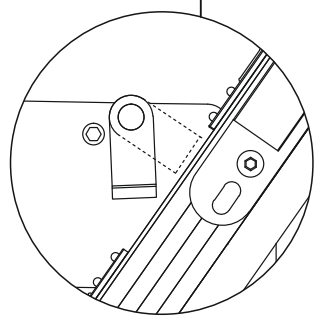


link

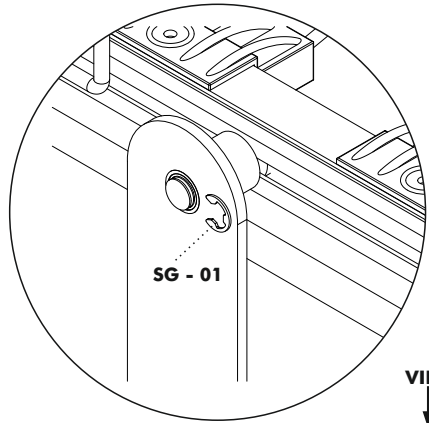
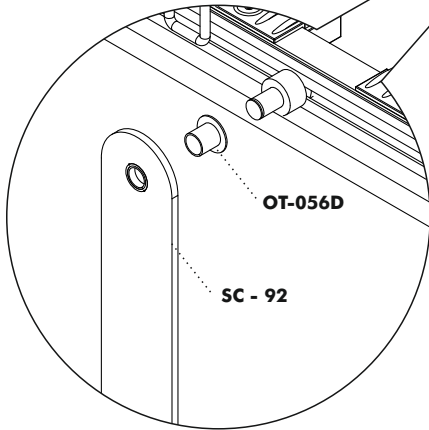
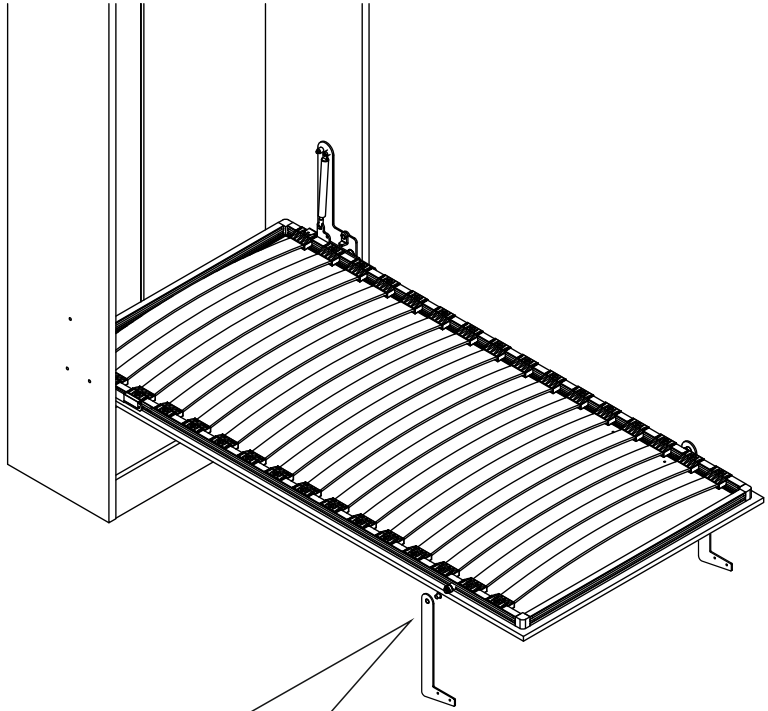
STEP 10



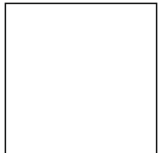
LET THE STOPPER LOCK MOVE DOWN !!!



STEP 11

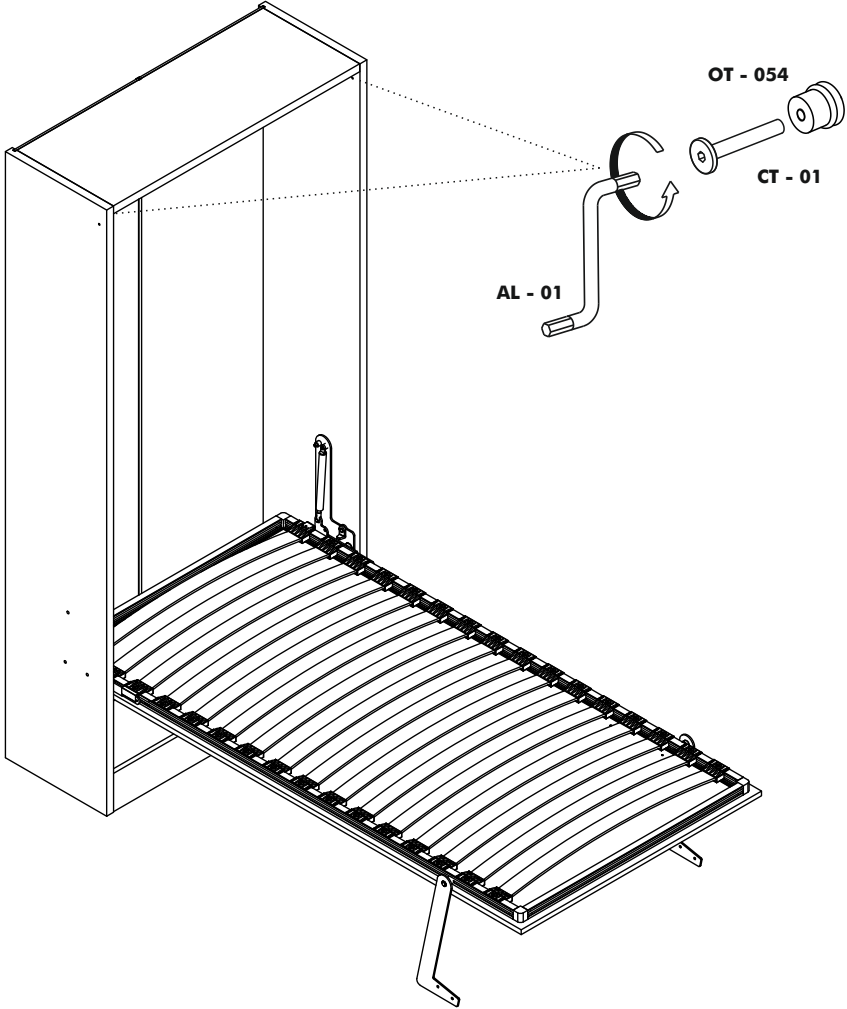


VIDEO

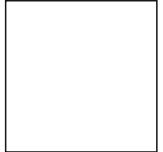


link

STEP 12

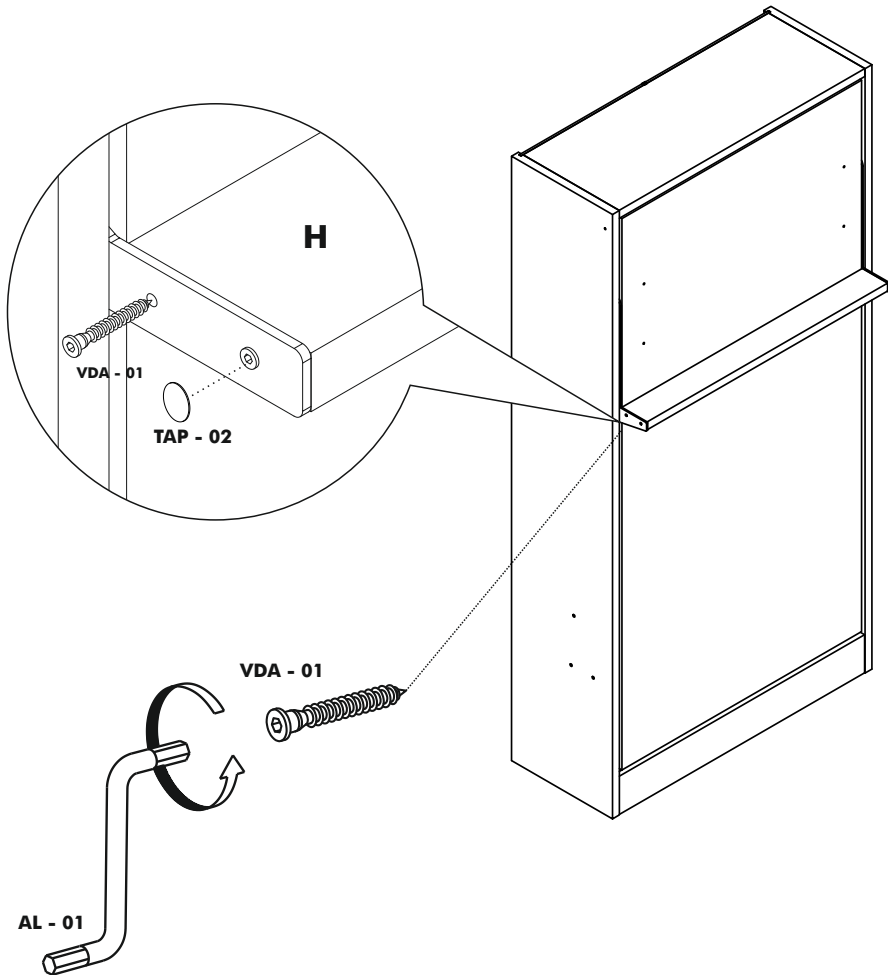


VIDEO

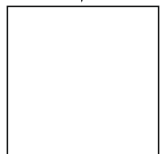


link

STEP 13

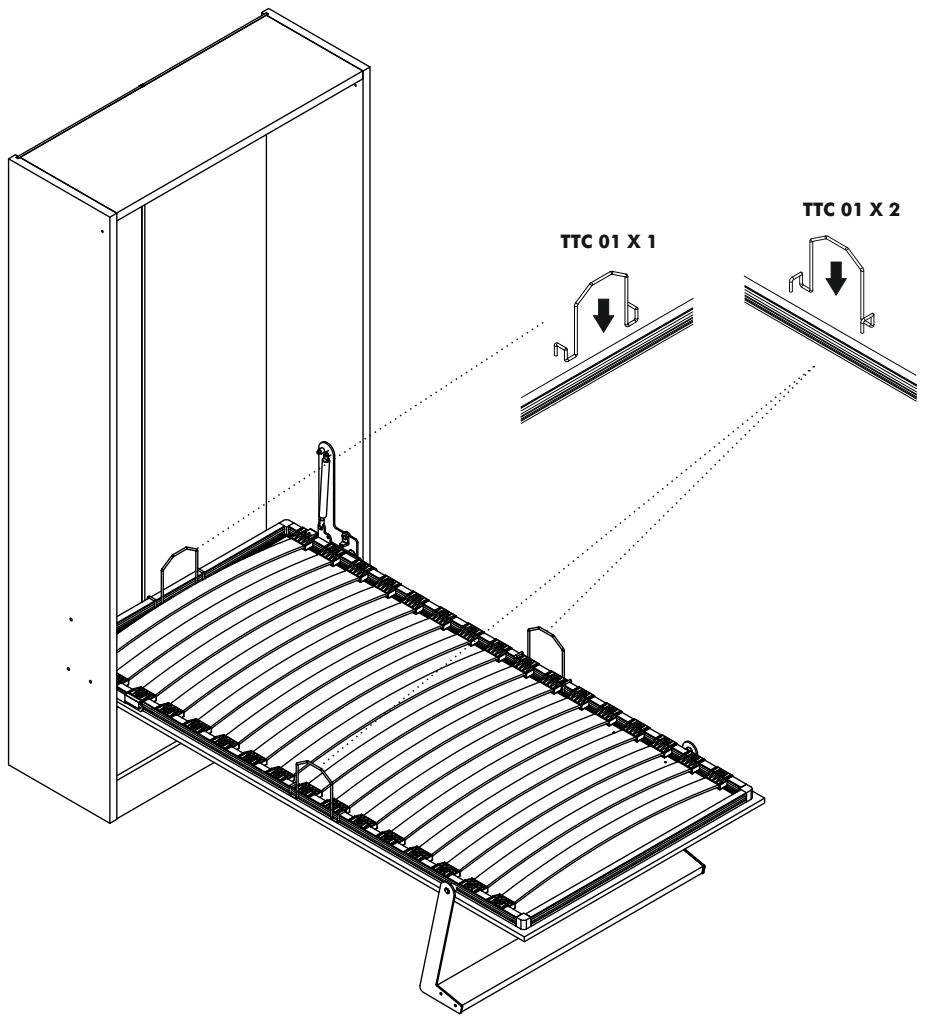


VIDEO

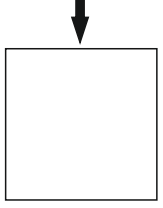


link

STEP 14

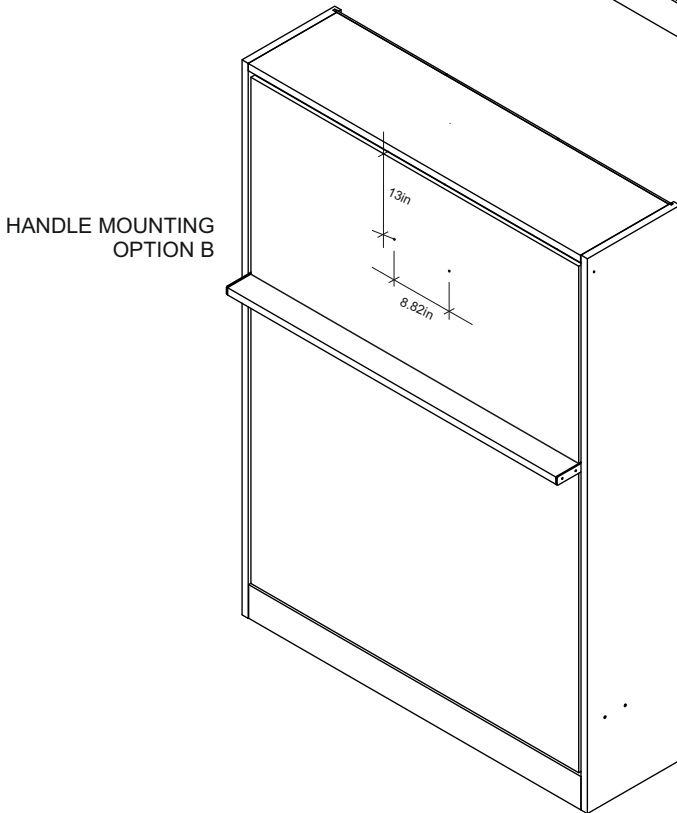
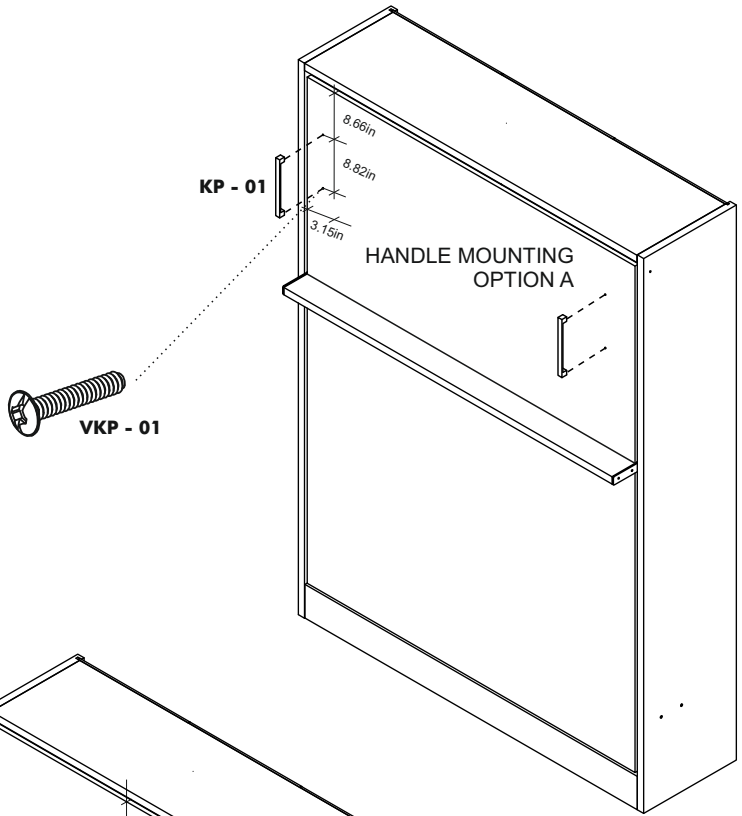


VIDEO

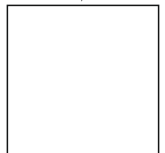


link

STEP 15



VIDEO



link

ATTENTION / HOW TO / READ ME / OWNER'S GUIDE

1. When mounting on a regular drywall, furniture must be fastened to wood or metal studs. Solid walls made of brick, concrete or similar strong material are also acceptable. Do not mount furniture to paper-mache or sheet rock like material without properly attaching to stud.

2. For safety and product longevity you must periodically inspect the mounting and mechanical connections for integrity and tightness. Confirm hardware remains properly affixed and connections snug.

3. Wall Bed mattress thickness may not exceed 8 inch. Take care to remove pillows and excess blankets before closing. Doing so keeps mechanism free of obstruction and unnecessary stress.

4. Do not lean or rest heavy objects on side or top of furniture. This may cause balance issues and compromise the integrity of your mounting connections.

5. Please use the furniture's beds, desks and shelving as intended. Not designed to be sat, stood, leaned, jumped (etc) on. Improper use may cause personal injury and damage to property.

6. With seasonal humidity change you must inspect interior and exterior of furniture.

7. Single, Twin, Twin XL beds accommodate the weight of one person. Improperly sleeping more than one person risks injury to person and damage to property.

8. Before any un-mounting or disassembly please contact Multimo for technical support and instruction. Failure to properly detach risks injury to person and damage to property.

9. For Bunk Beds:

- a. Always use provided ladder when accessing top bunk.
- b. Be slow, careful and aware of surroundings when opening top bunk.
- c. Do not horseplay. Beds are to be slept on only.
- d. Some have legs that fully extend when open- be aware of where the leg is and will be.



www.multimobeds.com