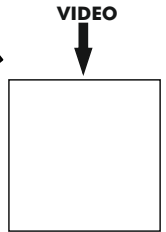
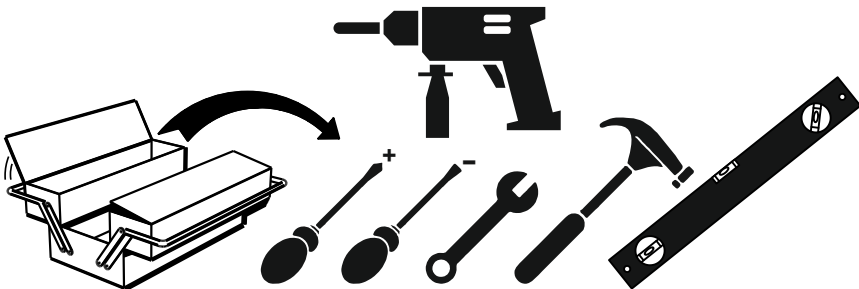
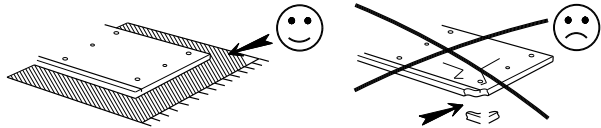
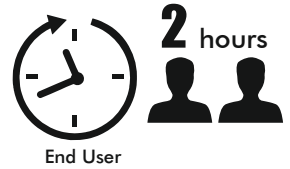
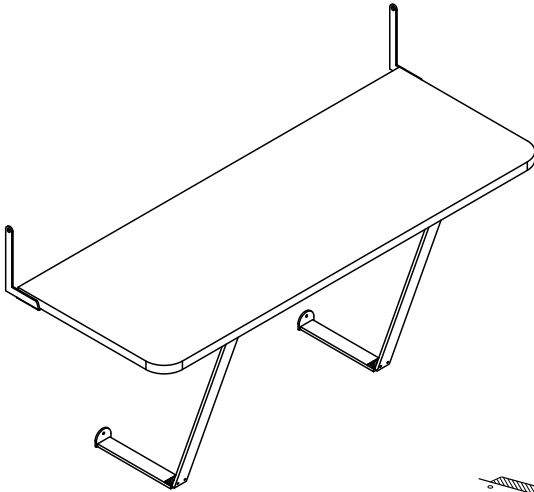




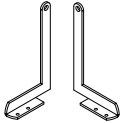
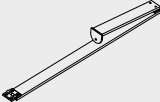
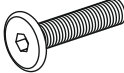
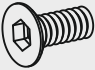
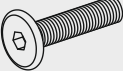



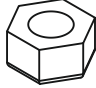


MULTIMO

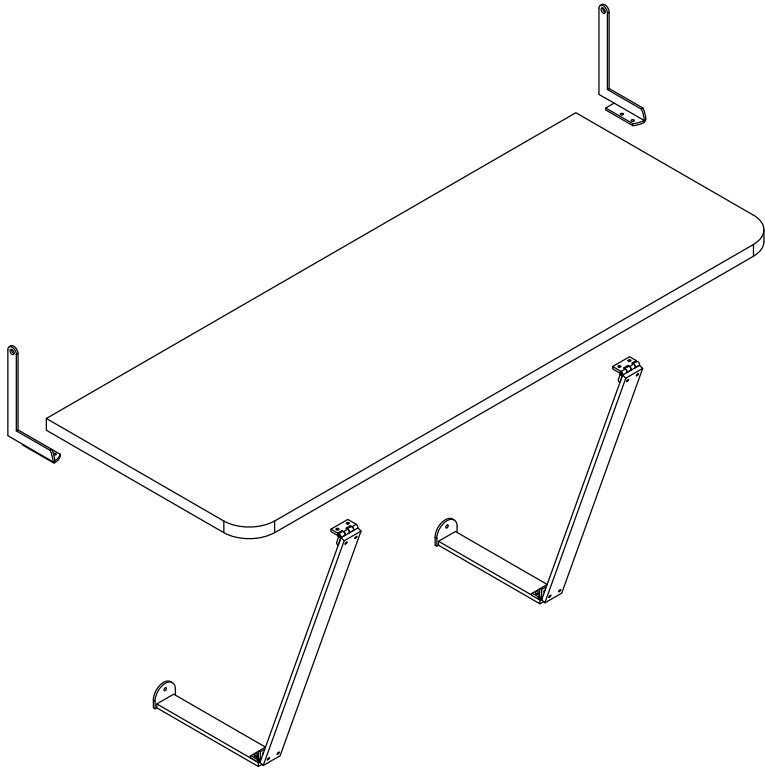
A 227- ROYAL OPTIONAL DESK



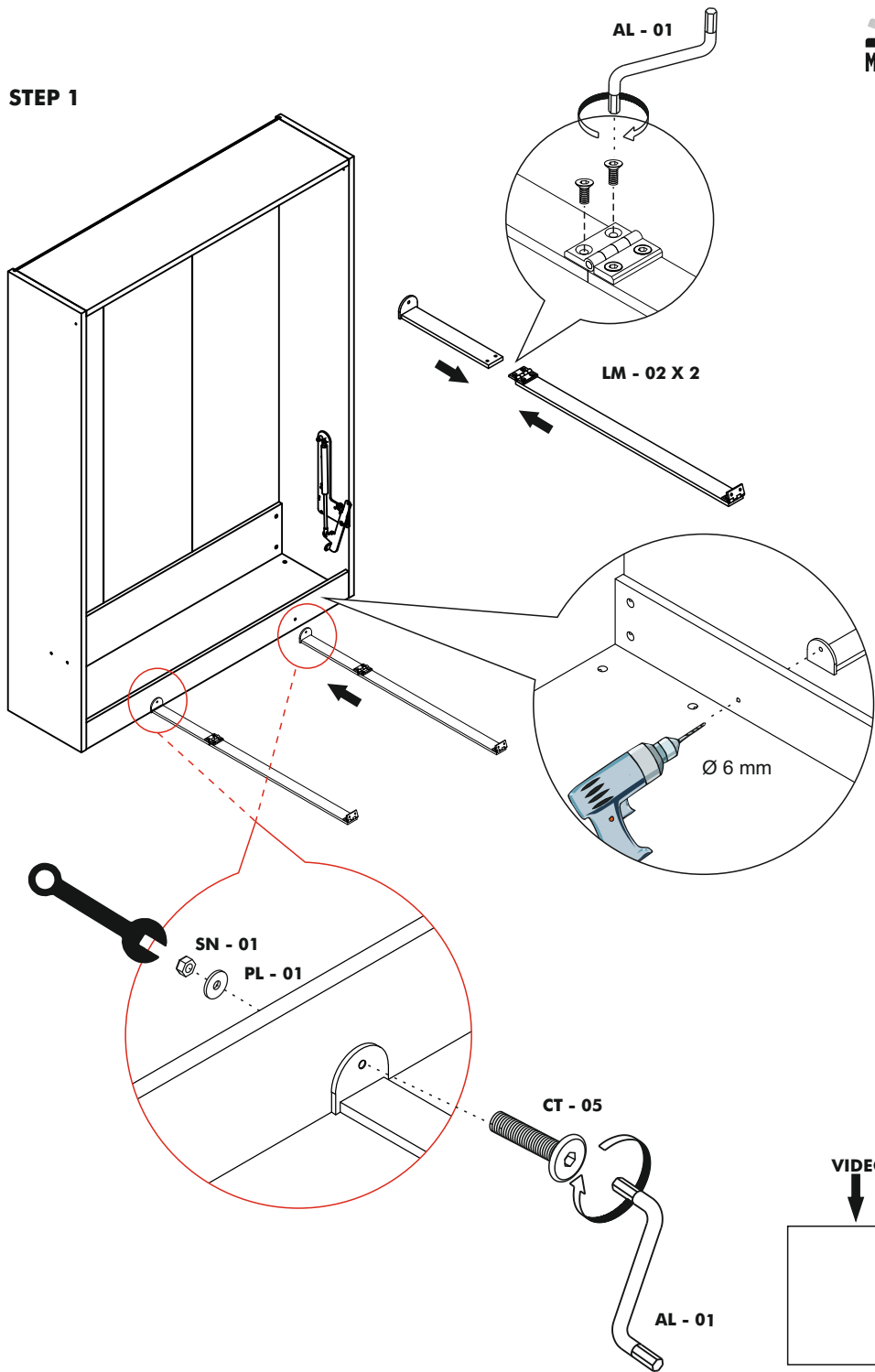
link

Accessories List

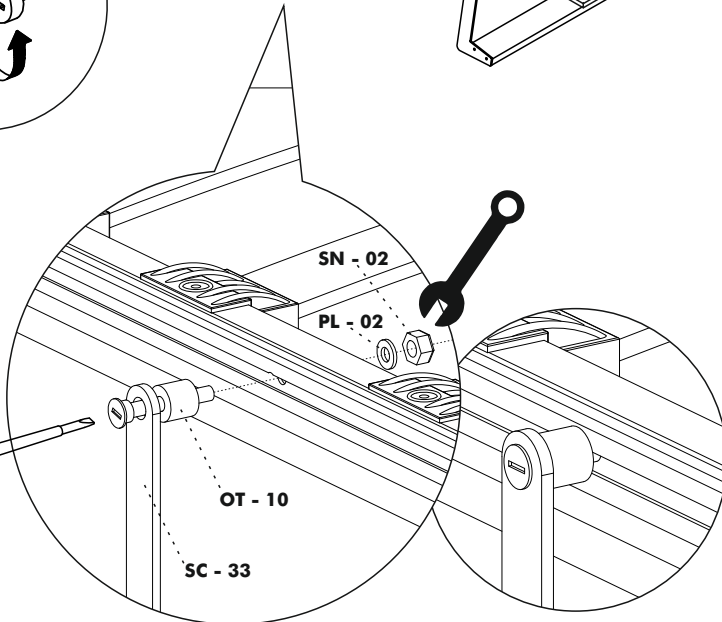
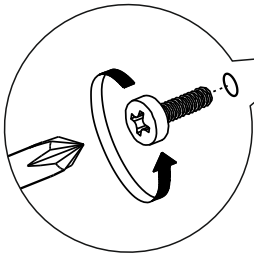
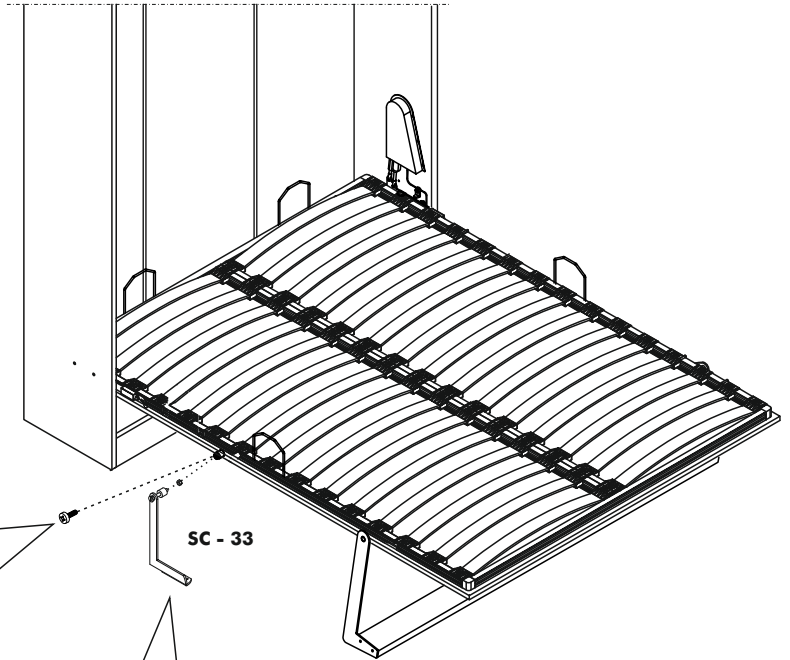
<p>SC - 33</p>  <p>2 / piece</p>	<p>LM-02</p>  <p>2 / piece</p>	<p>CT - 05 (6x35) mm</p>  <p>2 / piece</p>	<p>HB - 03 (6x16) mm</p>  <p>4 / piece</p>
<p>CT - 01 (6x40) mm</p>  <p>4 / piece</p>	<p>PL - 05 (8x16x2) mm</p>  <p>2 / piece</p>	<p>OT 10</p>  <p>2 / piece</p>	<p>SN - 02 (M8)</p>  <p>2 / piece</p>
<p>SN - 01 (M6)</p>  <p>6 / piece</p>	<p>PL - 01 (6x19x1) mm</p>  <p>6 / piece</p>	<p>AL - 01 (4MM)</p>  <p>1 / piece</p>	



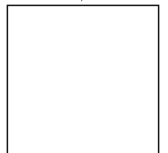
STEP 1



STEP 2

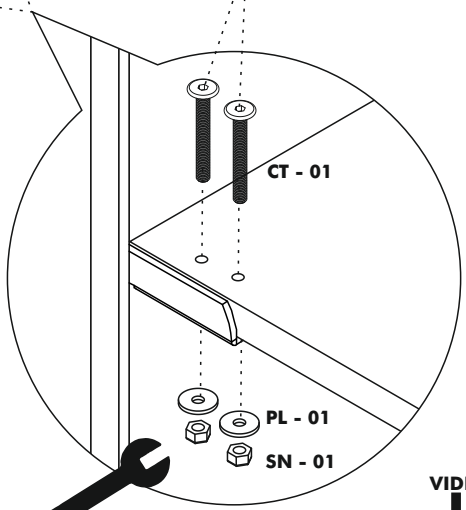
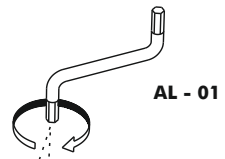
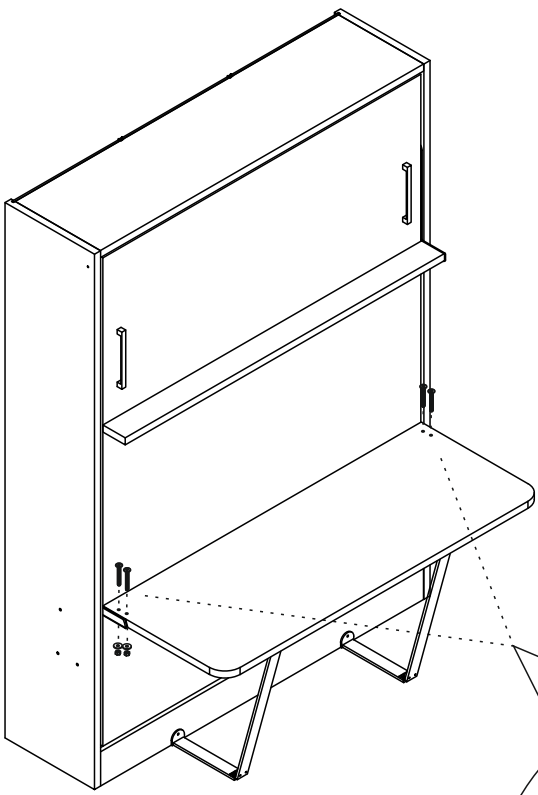


VIDEO

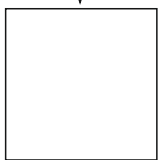


link

STEP 3

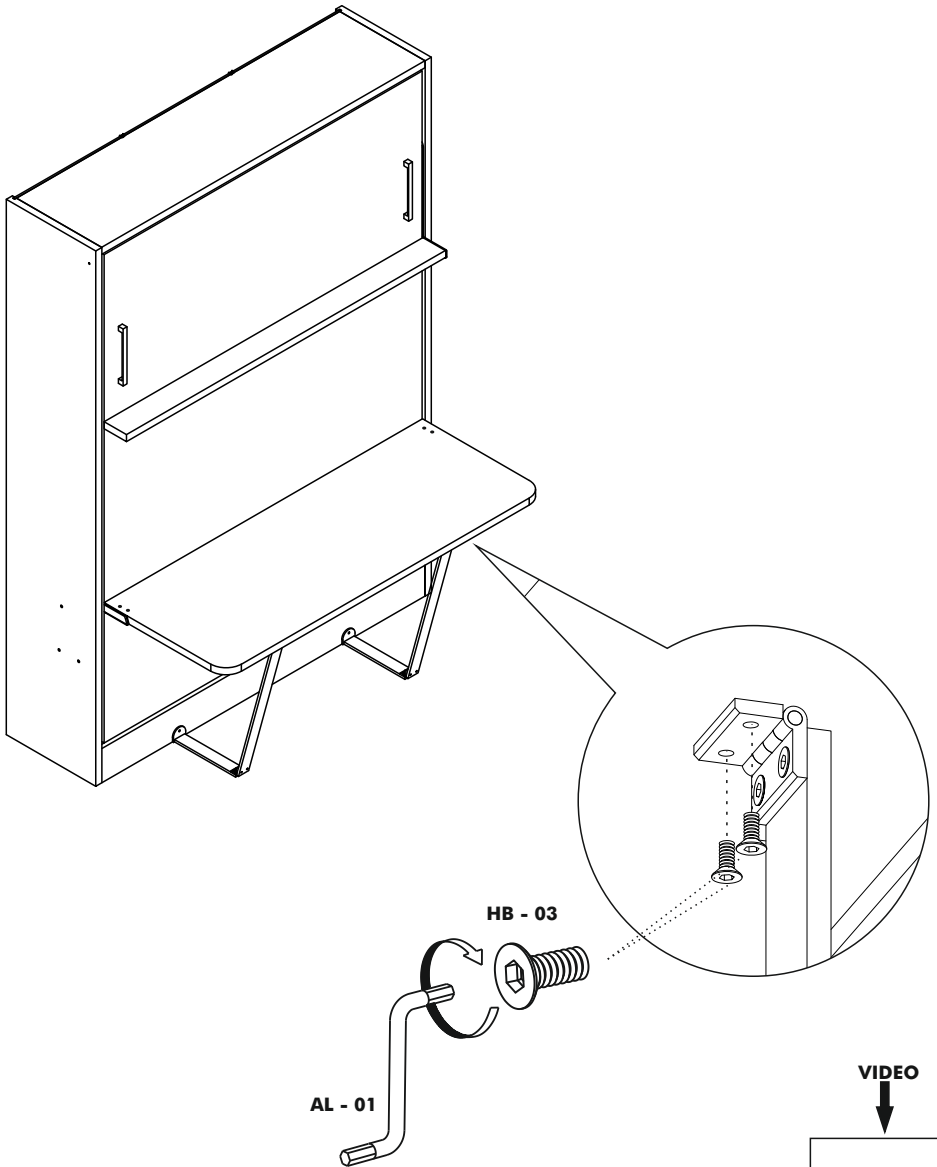


VIDEO



link

STEP 4



ATTENTION / HOW TO / READ ME / OWNER'S GUIDE

1. Wall beds must be securely attached to the wall. Hardware for mounting to concrete, brick or similar strong material is included.
2. When mounting to drywall, wall beds must be attached to wooden or metal studs in 2 or 3 points. Do not mount wall beds directly to drywall or paper-mache type wall without properly attaching it to studs. Please choose appropriate fasteners for the type of wall the bed will be mounted on. Drywall mounting hardware is not included.
3. For safety and product longevity you must periodically inspect the integrity and tightness of the mounting and mechanical connections. Confirm hardware remains properly affixed and connections are snug.
4. Do not lean or rest heavy objects on sides or top of furniture. This may cause balance issues and compromise the integrity of your mounting connections.
5. Please use wall beds and integrated shelves, desks and sofas as intended. Do not jump and/or exceed supported weight limits. Do not sit or lean on integrated shelves and desks. Improper use may cause personal injury and damage to property.
6. With seasonal humidity change please inspect the interior and exterior of the furniture for deformation and/or discoloration.
7. Before any un-mounting or disassembly please contact Multimo Beds for technical support and instructions. Failure to properly detach may result in personal injury and damage to property.



WARNINGS

IMPORTANT! HAZARD WARNING!

All Wall Beds contain sophisticated and powerful lifting mechanism. Failure to follow assembly and installation instructions may result in **severe personal injury and damage of the product.**

SECURE RIGIDLY TO A WALL!

Improper attaching wall bed to a wall will create a tip-over hazard and may result in severe personal injury or even death. **ONLY qualified installers should install or remove a wall bed.**



WARRANTY

RETAIL RESIDENTIAL TERM

Lifetime guarantee on hardware.
5 year structural guarantee on cabinetry.

COMMERCIAL TERM

Lifetime guarantee on hardware.
2 year structural guarantee on cabinetry.



www.multimobeds.com