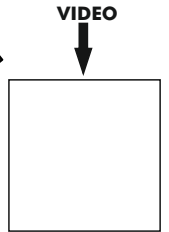
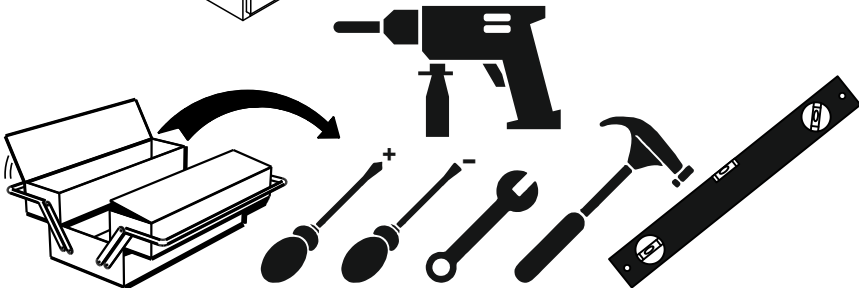
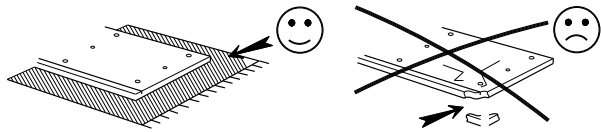
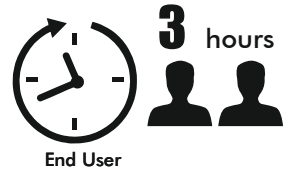
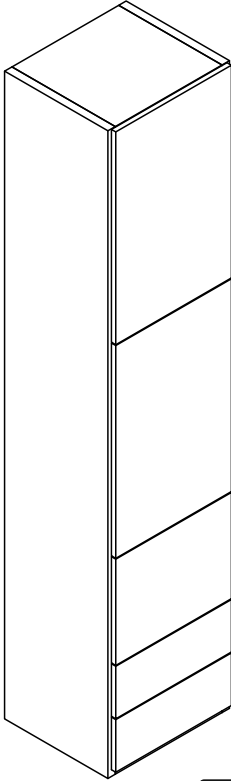




MULTIMO

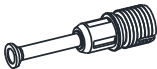



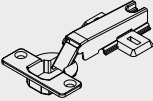
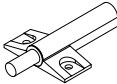
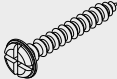
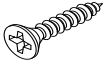
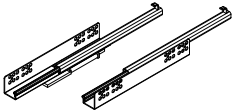

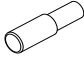


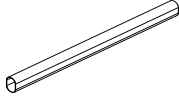


A 506-ROYAL CONVERTIBLE CABINET

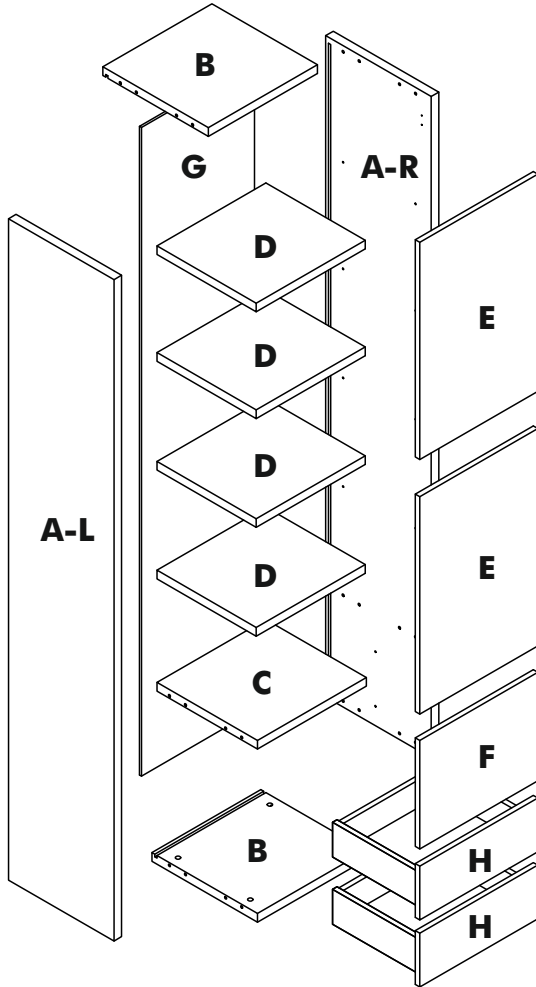


link

Track Title	Piece	(inch)			(mm)			
		Thickness	Length	Width	Piece	Thick	Height	Most
A-R / A-L	2	1,18	89,76	16,54	2	30	2280	420
B	2	1,18	17,09	16,54	2	30	434	420
C	1	1,18	17,09	15,75	1	30	434	400
D	4	1,18	17,09	15,55	4	30	434	395
E	2	0,71	29,49	18,50	2	18	749	470
F	1	0,71	14,72	18,50	1	18	374	470
G	1	0,31	88,03	17,72	1	8	2236	450
H	2	7,28	18,50	14,49	2	185	470	368

Accessories List

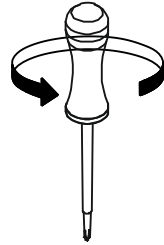
MXN 02  12 / piece	MNG - 01  12 / piece	TAP - 01  12 / piece	KVL 01  12 / piece
TS - 01  6 / piece	BS - 01  3 / piece	VD - 02 (3,5x25) mm  6 / piece	VD - 03 (3,5x18) mm  34 / piece
RYB - 03  2 / piece	ER - 01  8 / piece	PM - 01  16 / piece	AVT - 01  4 / piece
AF - 02  2 / piece	BO - 01  1 / piece	BRK - 01  2 / piece	VTB - 01 (4,8x16) mm  8 / piece



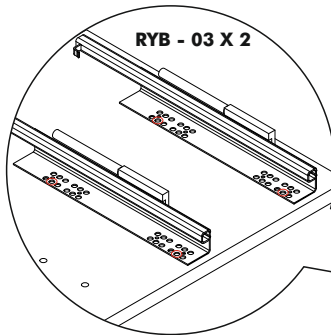
STEP 1



MNX - 02



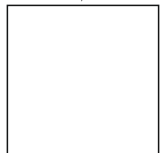
ER - 01 X 4



A

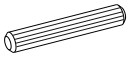
**TRACK TITLE
A LEFT / A RIGHT**

VIDEO

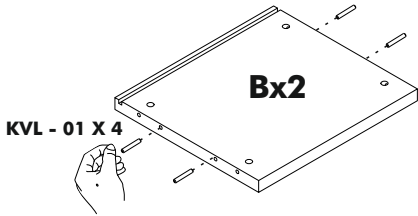


link

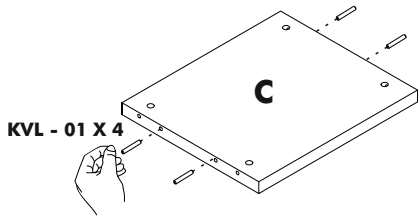
STEP 2



KVL 01



KVL - 01 X 4

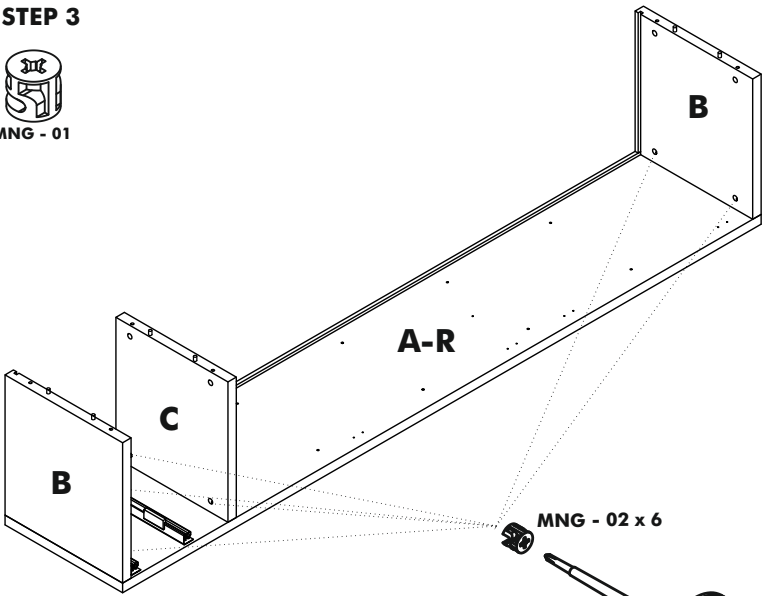


KVL - 01 X 4

STEP 3



MNG - 01

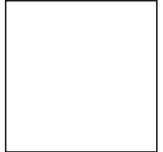


MNG - 02 x 6



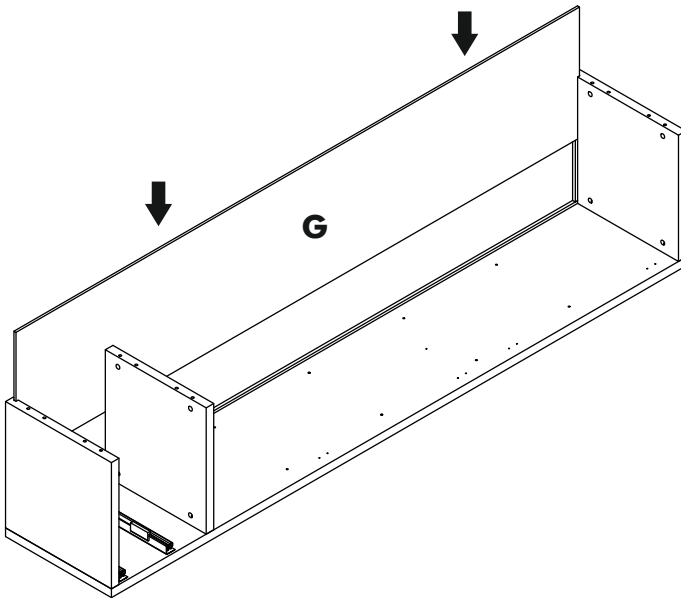
210°

VIDEO

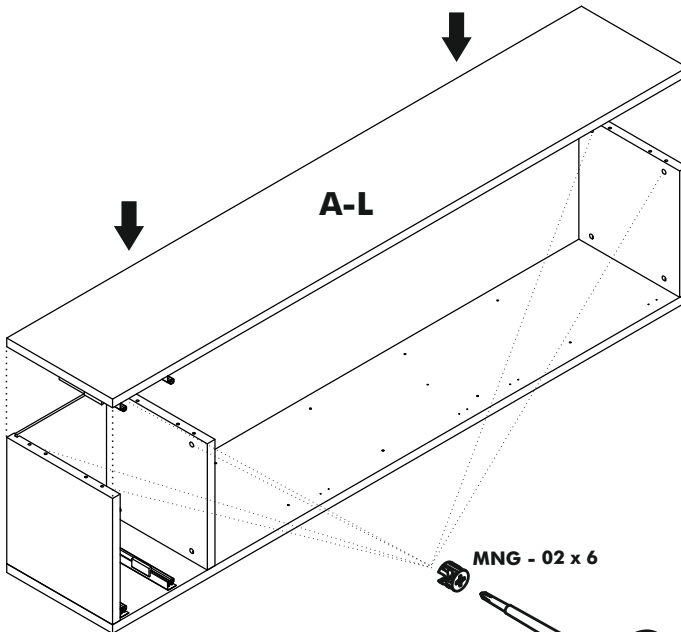


link

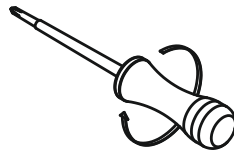
STEP 4



STEP 5

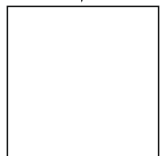


MNG - 02 x 6



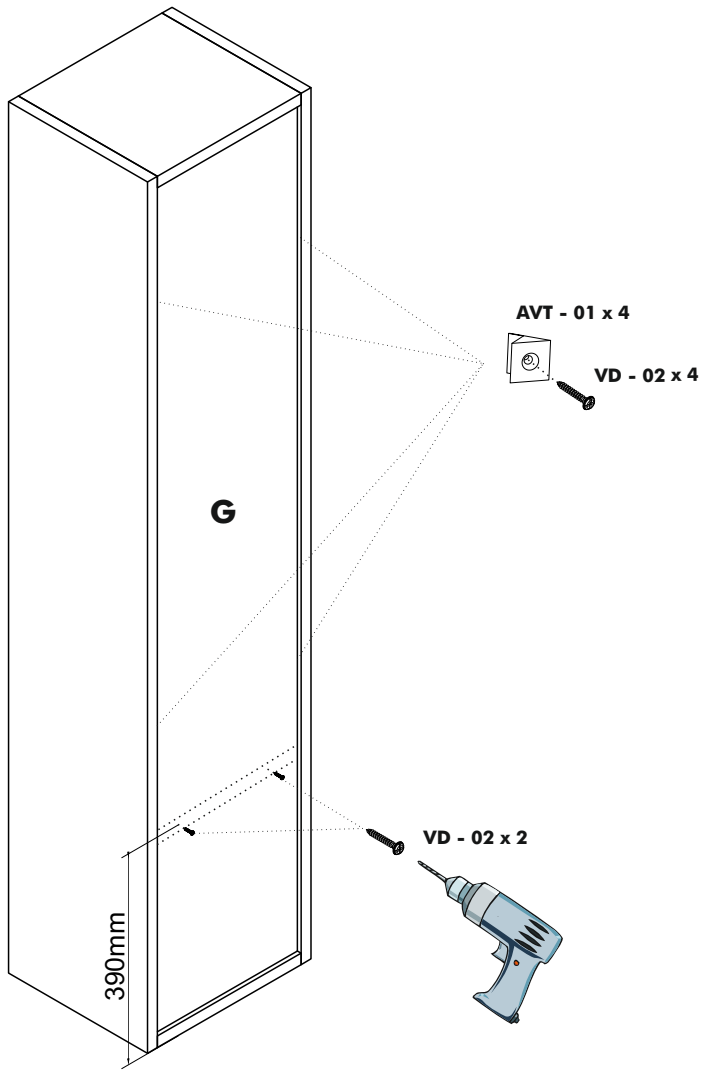
210°

VIDEO

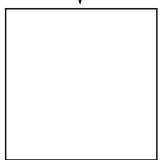


link

STEP 6

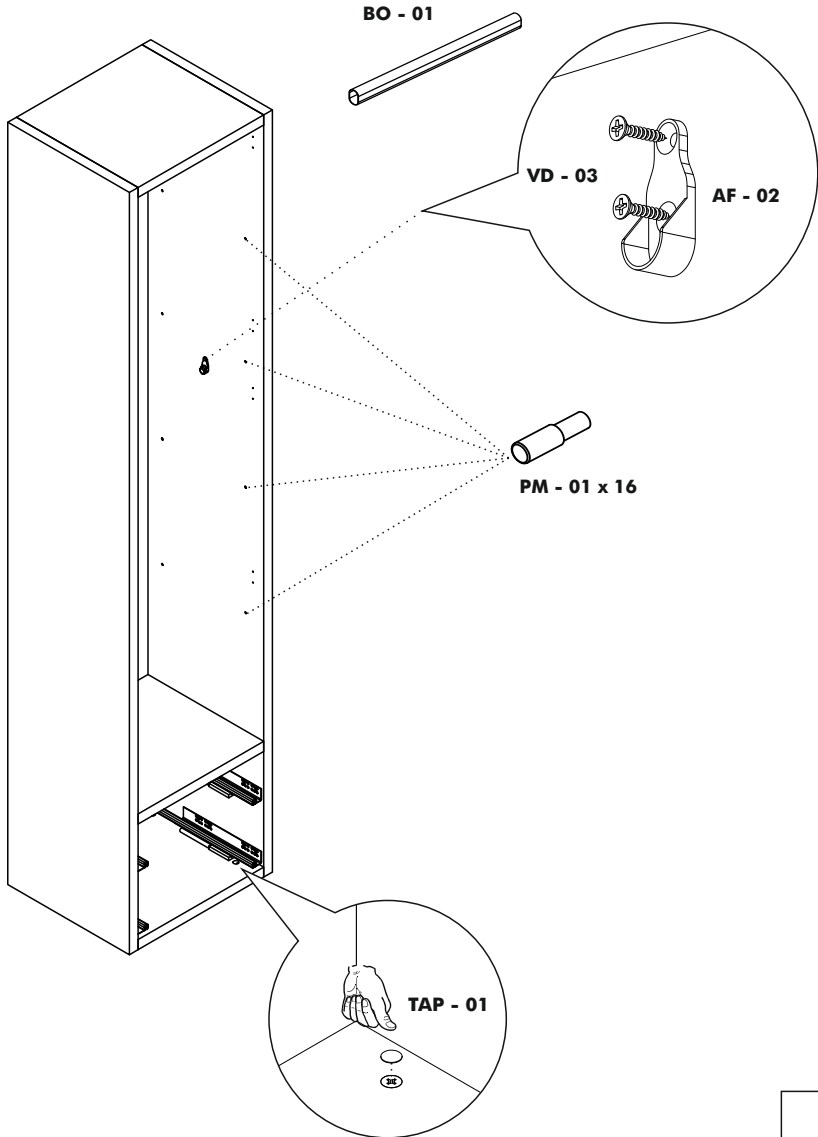


VIDEO

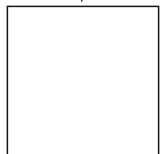


link

STEP 7

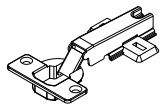


VIDEO

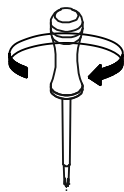


link

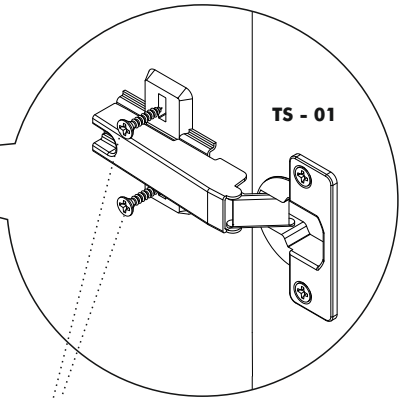
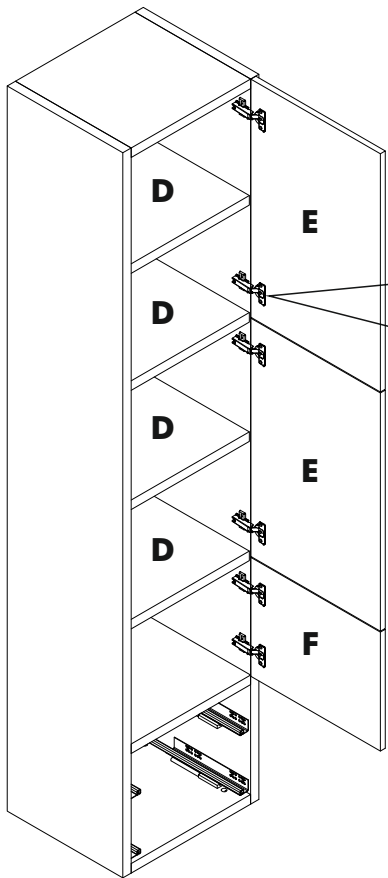
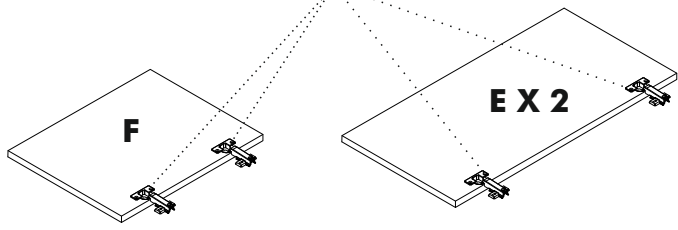
STEP 8



TS - 01

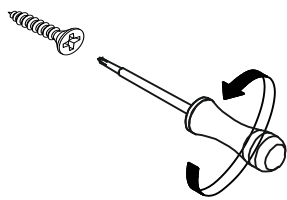


VD - 03 x 12

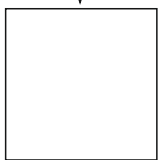


TS - 01

VD - 03 x 2



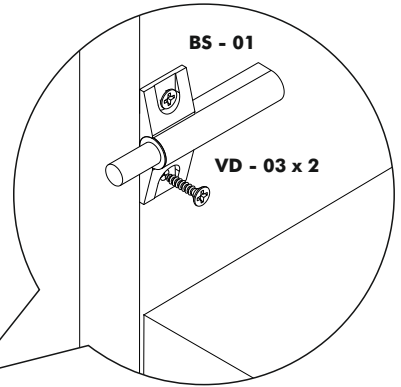
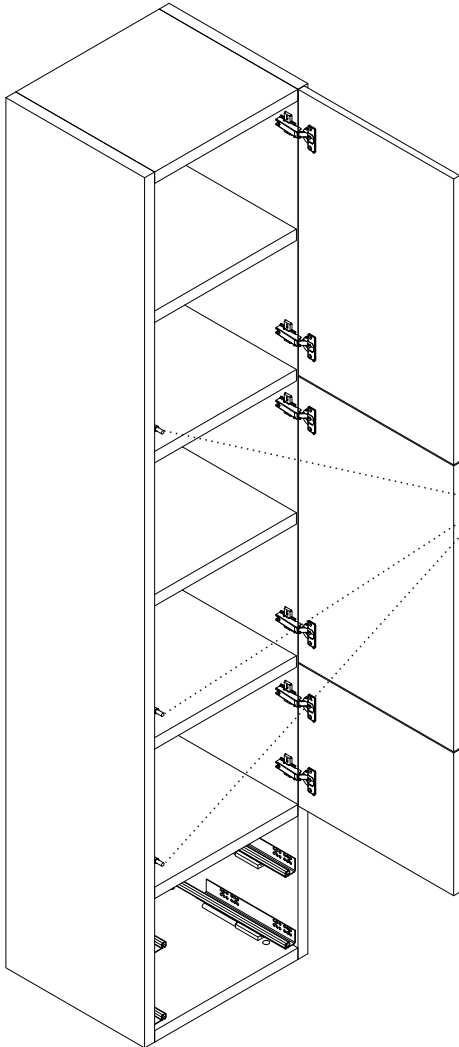
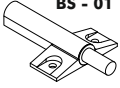
VIDEO



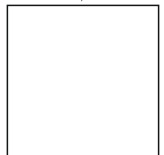
link

STEP 9

BS - 01

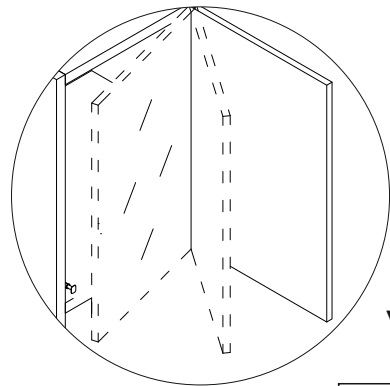
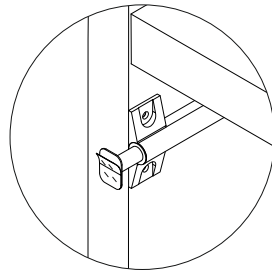
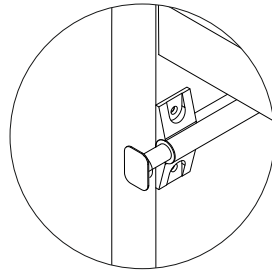
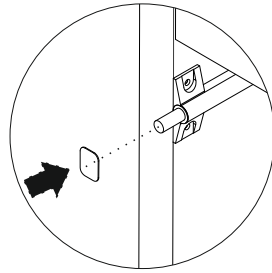
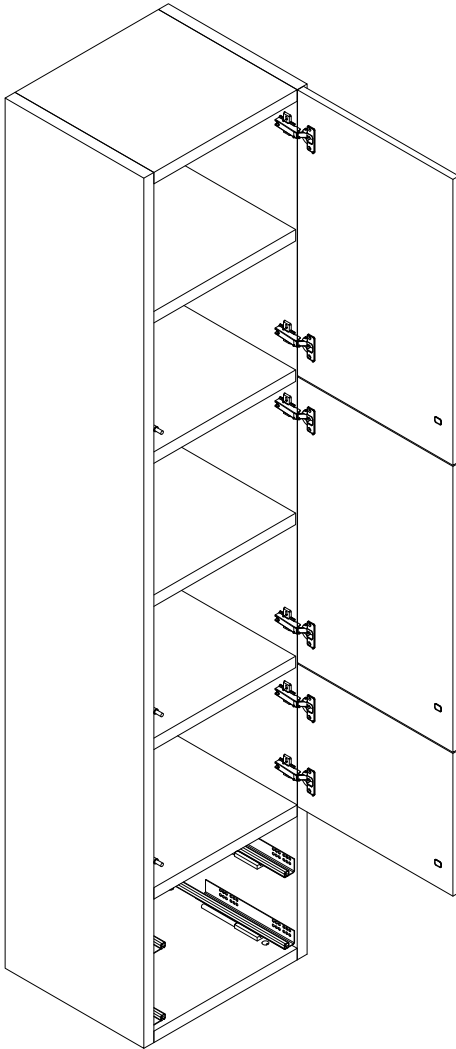


VIDEO

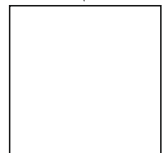


link

STEP 10

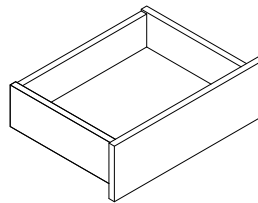
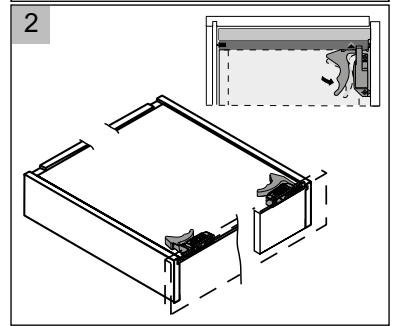
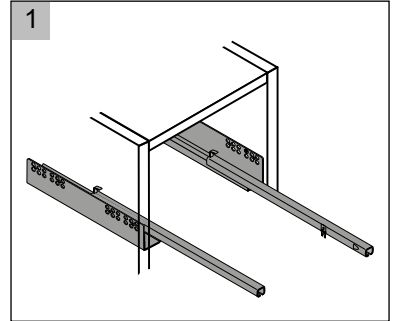
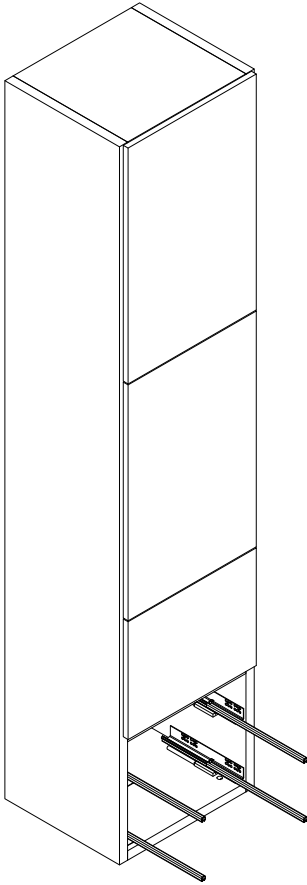


VIDEO
↓



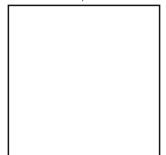
link

STEP 11



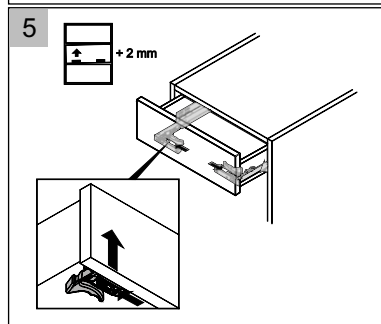
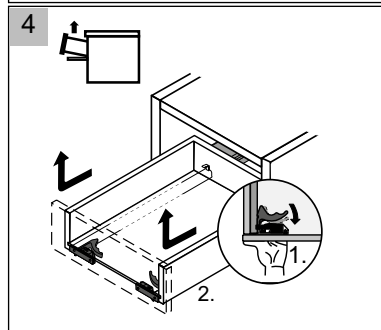
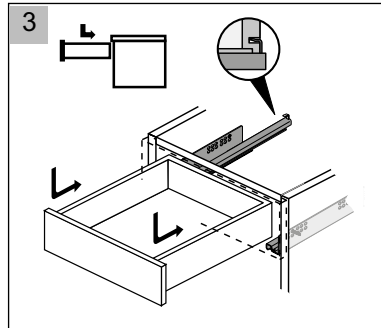
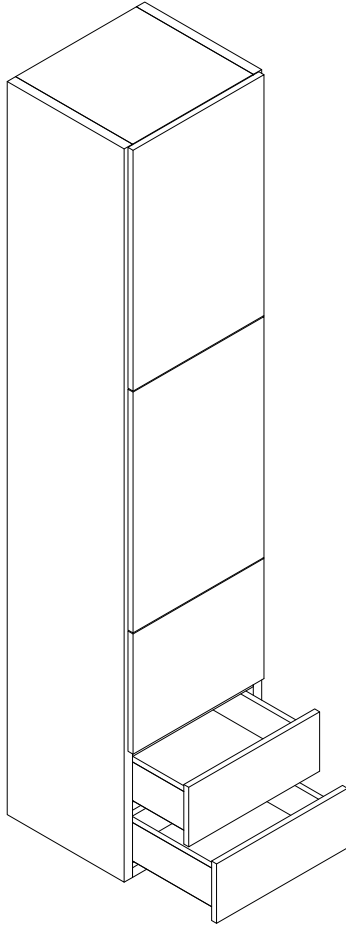
H x 2

VIDEO

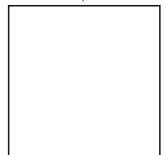


link

STEP 12

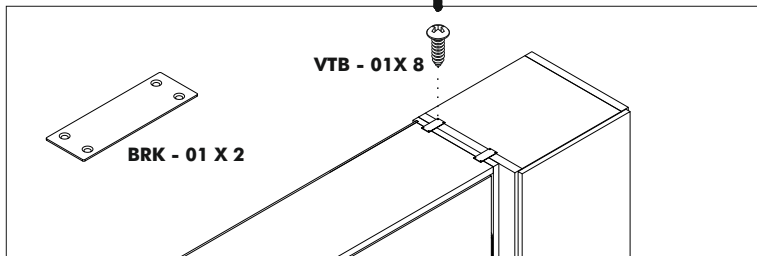
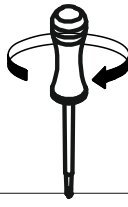
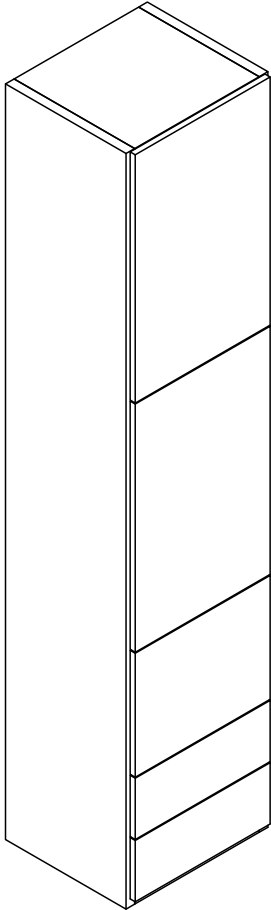


VIDEO
↓

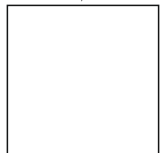


link

STEP 13



VIDEO



link

ATTENTION / HOW TO / READ ME / OWNER'S GUIDE

1. Cabinets must be securely attached either to the wall and / or side of the wall bed. Hardware is included
2. When mounting to drywall, use appropriate fasteners, such as toggle bolts or attach to wooden or metal studs. Please choose appropriate fasteners for the type of wall and / or studs the cabinet will be mounted on. Drywall mounting fasteners are not included.
3. For safety and product longevity you must periodically inspect the integrity and tightness of the mounting and mechanical connections. Confirm hardware remains properly affixed and connections are snug.
4. Do not lean or rest heavy objects on sides or top of furniture. This may cause balance issues and compromise the integrity of your mounting connections.
5. Please use cabinet shelves and clothes rails as intended. Do not place extremely heavy items on shelves and / or drawers. Improper use may cause personal injury and damage to property.
6. With seasonal humidity change please inspect the interior and exterior of the furniture for deformation and/or discoloration.
7. Before any un-mounting or disassembly please contact Multimo Beds for technical support and instructions. Failure to properly detach may result in personal injury and damage to property.



WARRANTY

RETAIL RESIDENTIAL TERM

Lifetime guarantee on hardware.
5 year structural guarantee on cabinetry.

COMMERCIAL TERM

Lifetime guarantee on hardware.
2 year structural guarantee on cabinetry.



www.multimobeds.com