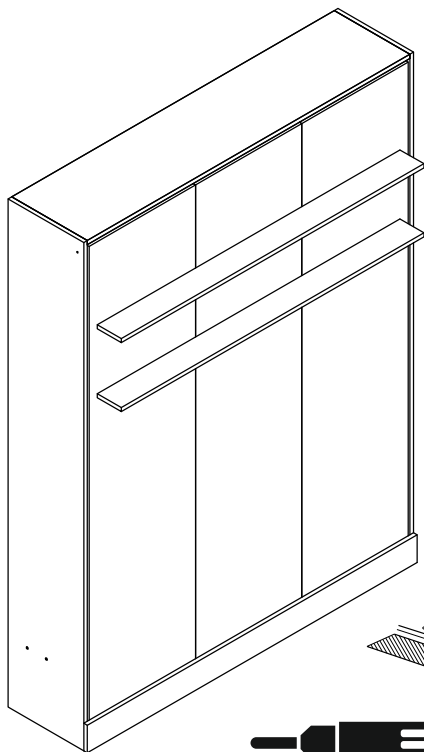




MULTIMO

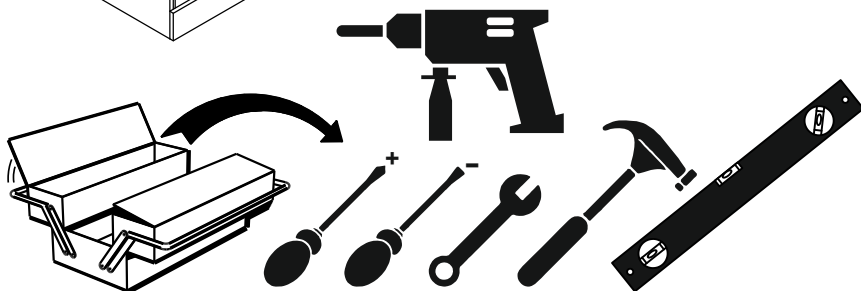
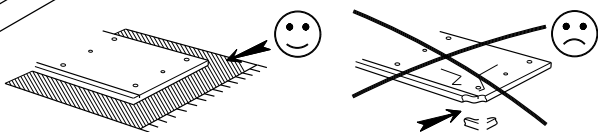
A700 - ECO PLATFORM QUEEN MURPHY BED



Technical Service



End User



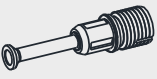

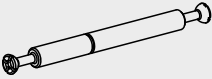
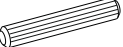

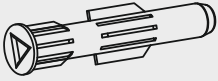
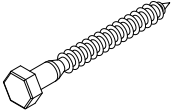
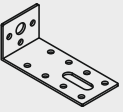

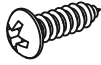
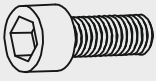
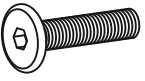
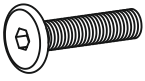


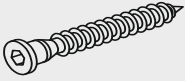
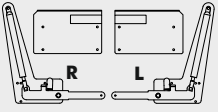

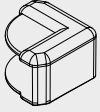
VIDEO

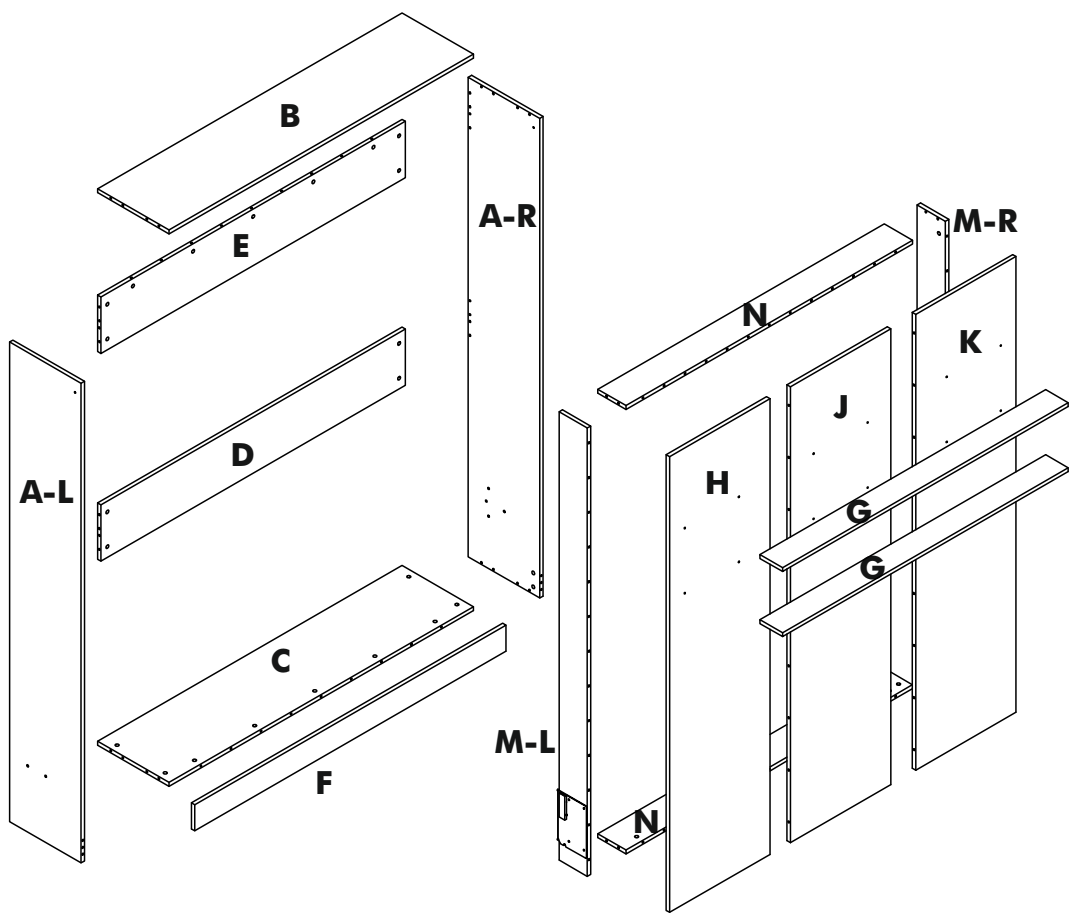


https://youtu.be/bnZgchi_Z4

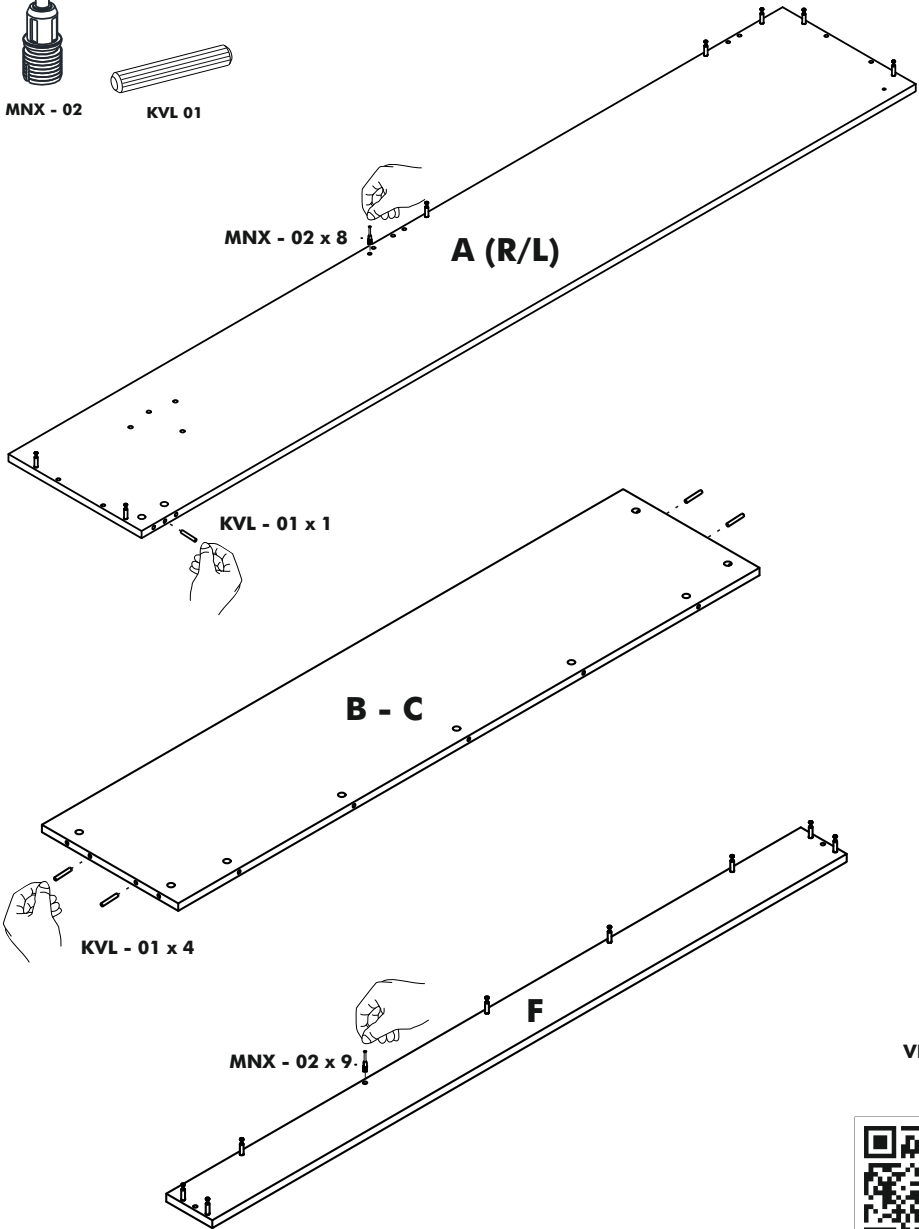
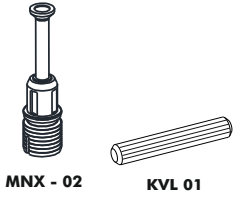
Track Title	Piece	(inch)			(mm)			
		Thickness	Length	Width	Piece	Thick	Height	Most
A		0,71	87,01	14,96	2	18	2210	380
B		0,71	63,78	14,96	1	18	1620	380
C		0,71	63,78	14,96	1	18	1620	380
D		0,71	63,78	10,24	1	18	1620	260
E		0,71	63,78	10,24	1	18	1620	260
F		0,71	65,20	4,72	1	18	1656	120
G		0,71	59,84	4,72	2	18	1520	120
H		0,71	82,68	21,02	1	18	2100	534
K		0,71	82,68	21,02	1	18	2100	534
J		0,71	82,68	21,02	1	18	2100	534
M		0,71	81,34	5,91	2	18	2066	150
N		0,71	60,00	5,91	2	18	1524	150

Accessories List

MNX 02  58 / piece	MNG - 01  78 / piece	MNX - 03  10 / piece	KVL 01  54 / piece
TAP - 01  78 / piece	DD - 01 (R10)  3/ piece	TFC - 01(8x70) mm  3 / piece	DSE - 01 (40x90x32) mm  3/ piece
PL - 02 (8x22x1) mm  3 / piece	VTB - 01 (4,8x16) mm  16/ piece	IM - 02 (6x20) mm  4 / piece	CT - 04 (6x20) mm  8/ piece
CT - 08 (6x25) mm  2 / piece	OT-054  2 / piece	PL - 04 (5x12x0,7) mm  4 / piece	VDA - 01 (6,5x50) mm  20/ piece
HF - 01 (1200 N)  1 / piece	YKR - 01  1 / piece	KKS - 01  2 / piece	



STEP 1

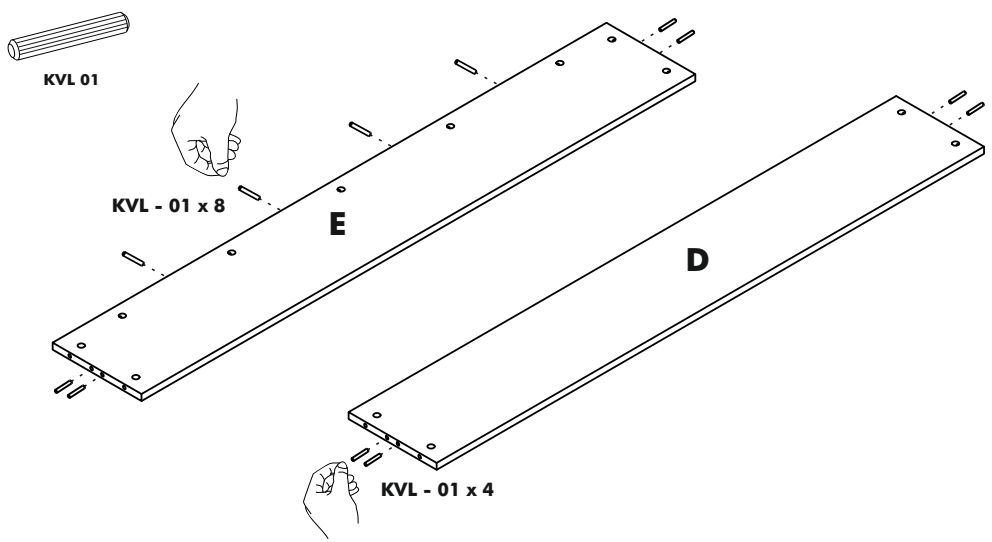


VIDEO

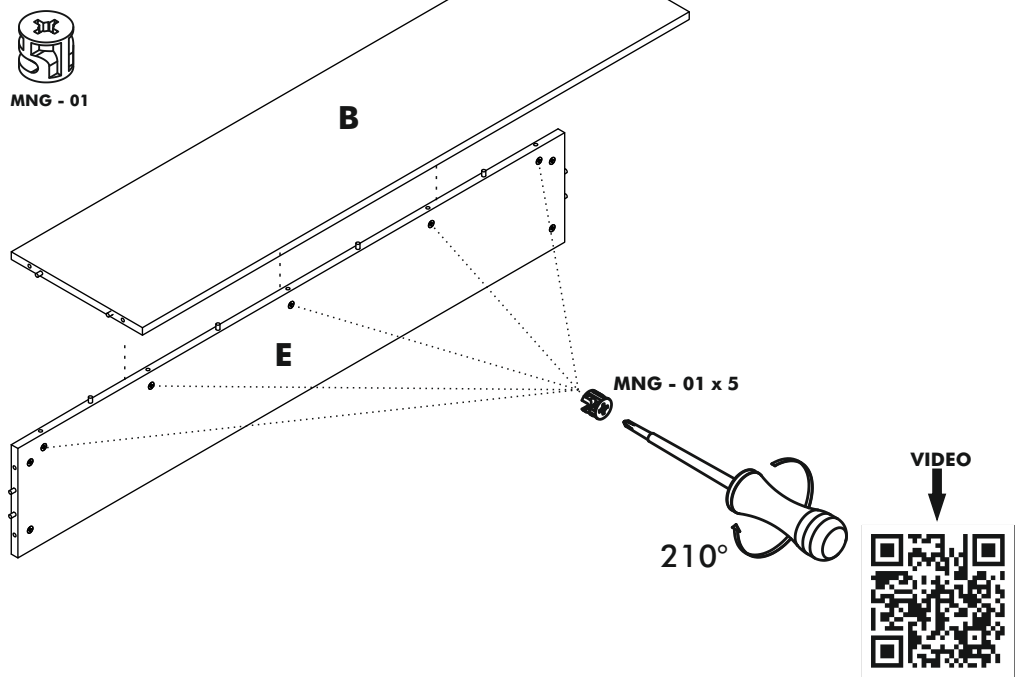


<https://youtu.be/bopC9HWNQcl>

STEP 2



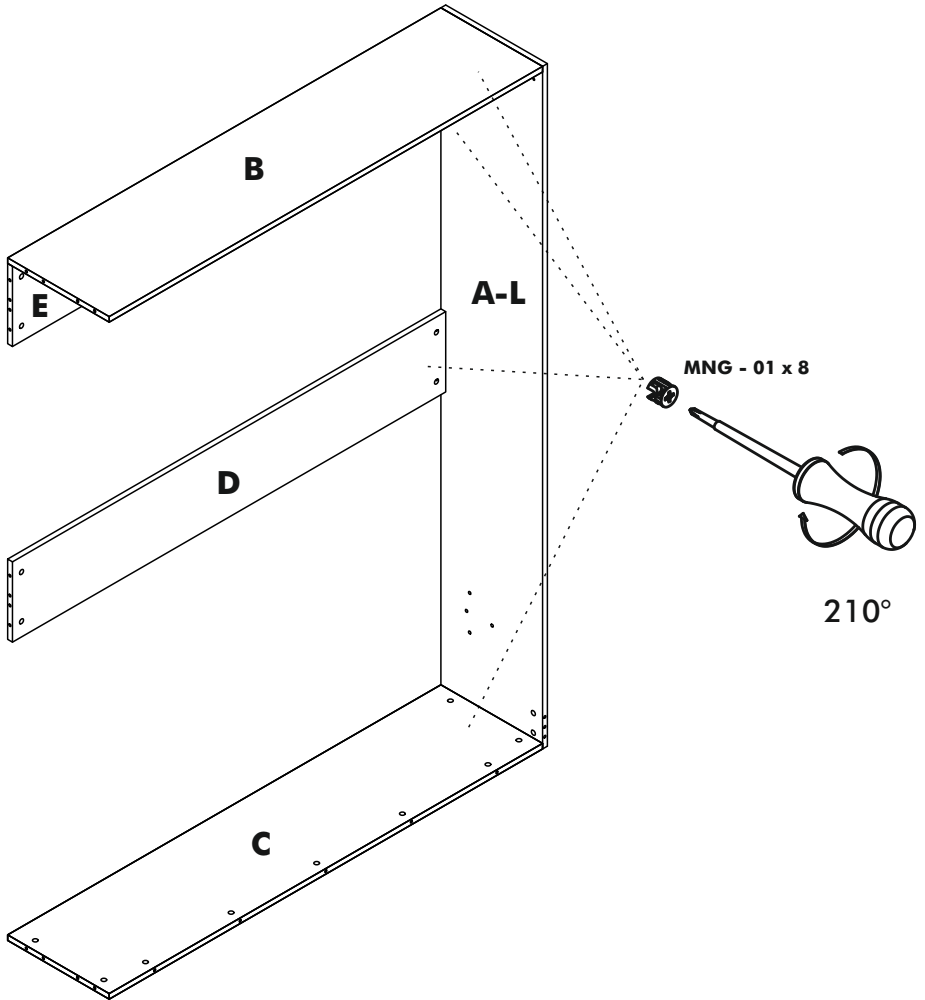
STEP 3



STEP 4



MNG - 01



VIDEO

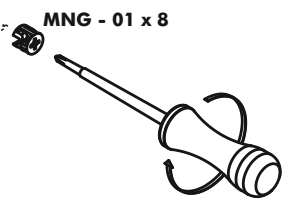
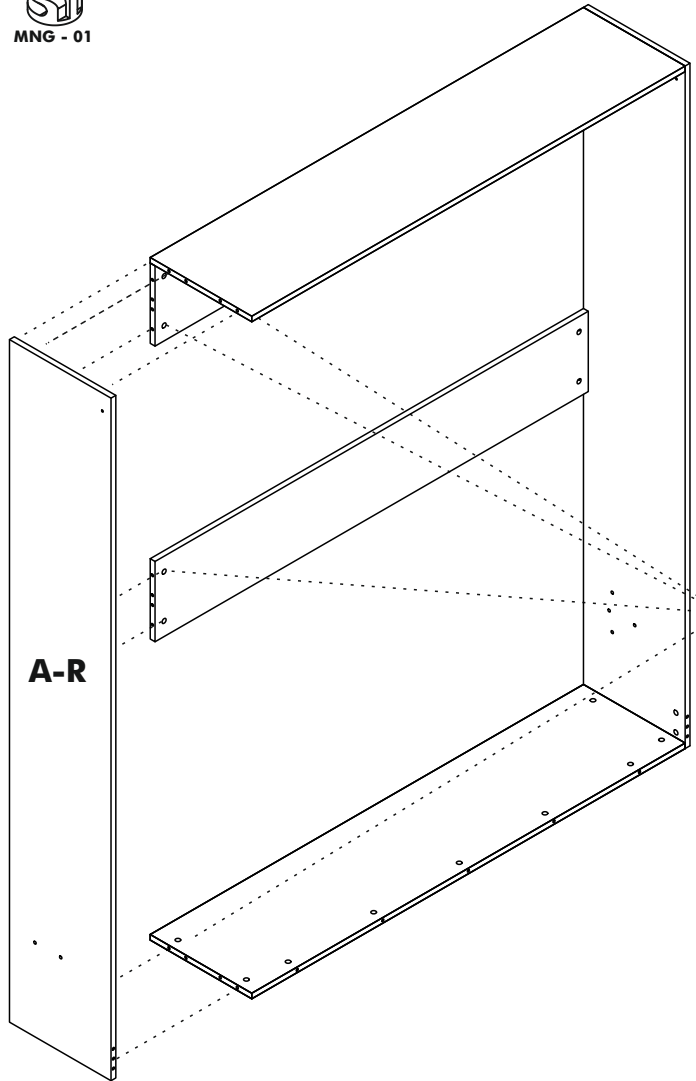


<https://youtu.be/9Wllw28g0mY>

STEP 5



MNG - 01



MNG - 01 x 8

210°

VIDEO

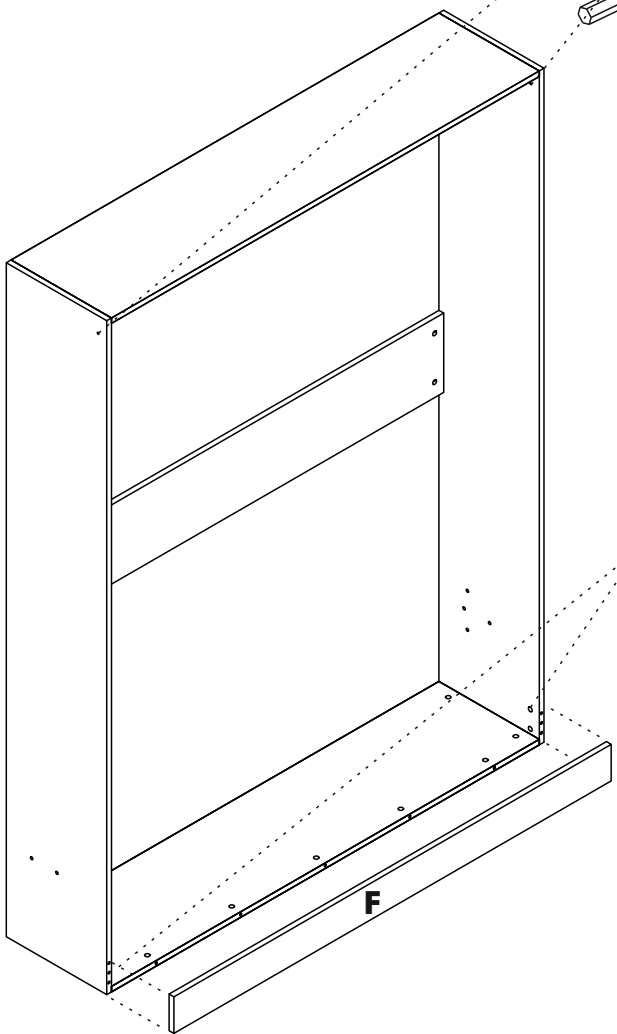
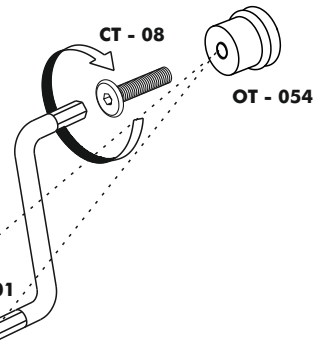


<https://youtu.be/9Wllw28g0mY>

STEP 6



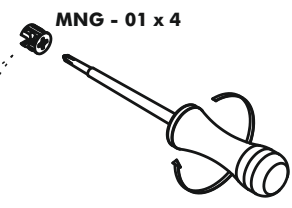
MNG - 01



STEP 7



MNG - 01



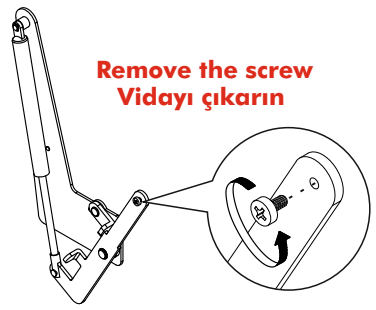
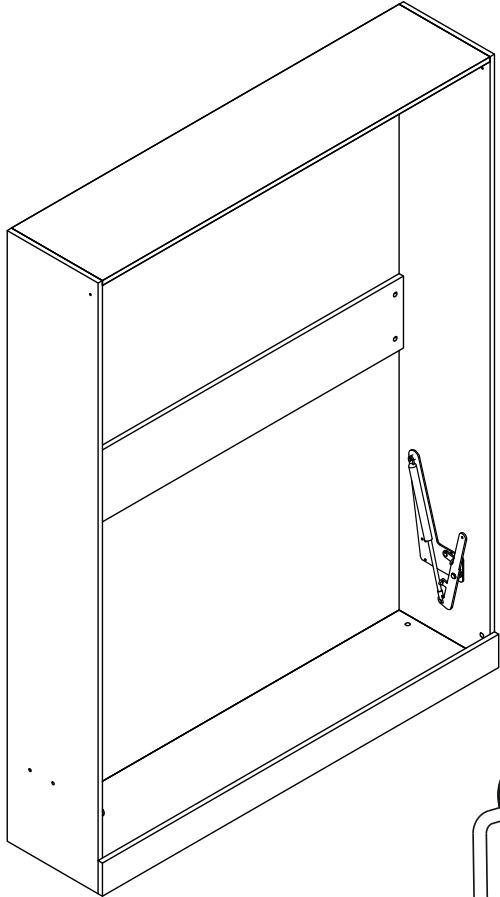
210°

VIDEO



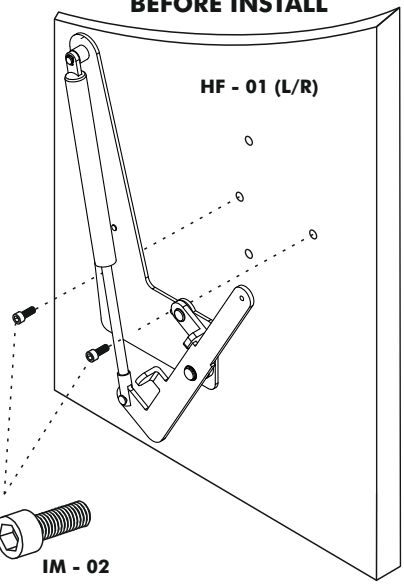
<https://youtu.be/3YzKQ-1HtGU>

STEP 8

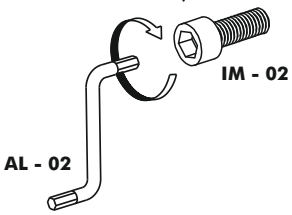


**Remove the screw
Vidayı çıkarın**

**CAUTION
DO NOT UNLOCK
BEFORE INSTALL**



HF - 01 (L/R)



AL - 02

IM - 02

VIDEO



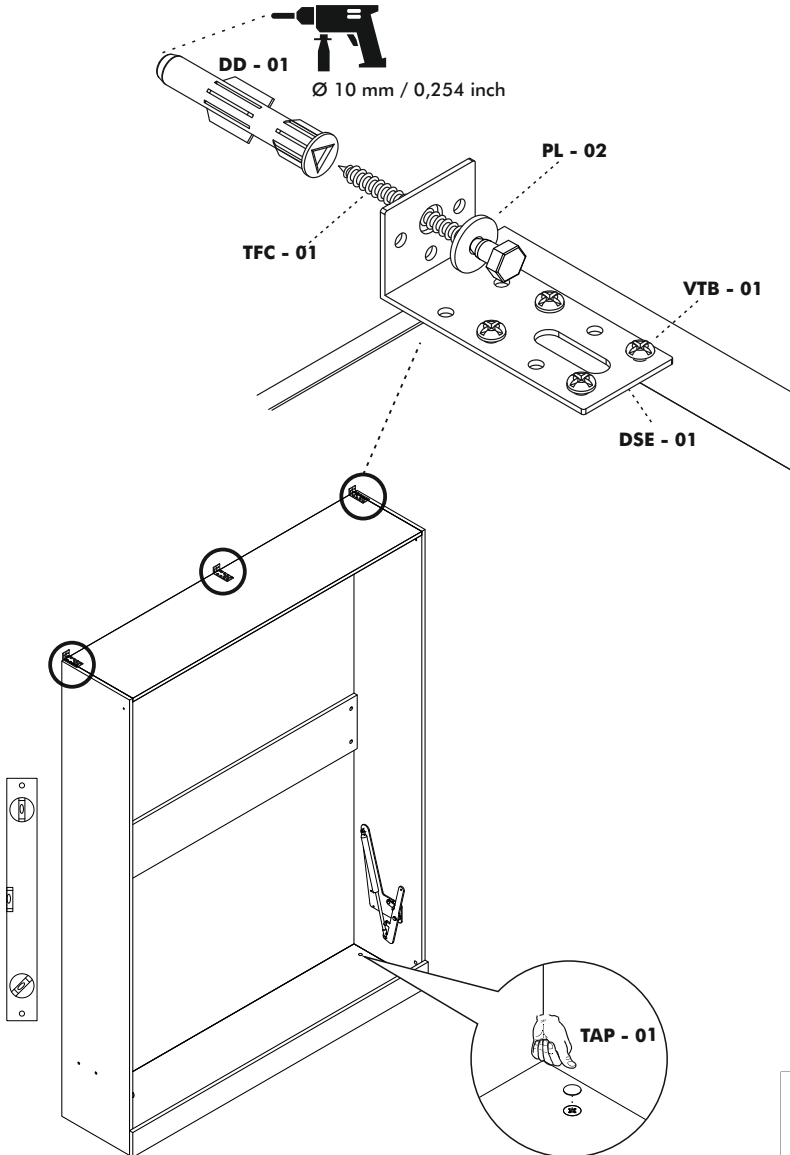
<https://youtu.be/Z1-KXyrALL4>

STEP 9



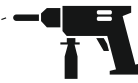
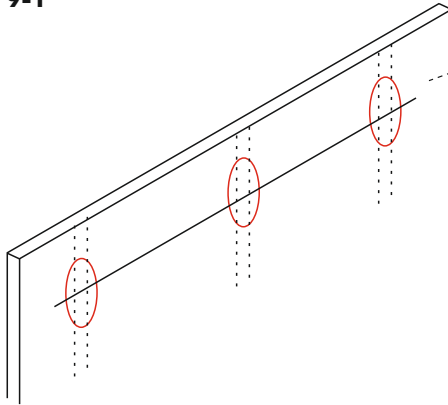
ATTENTION!!!

Must be secured to the wall made of brick, concrete or similarly strong material.
Mounting to wooden or metal studs is also acceptable.
Do not mount directly to sheetrock or paper-mache type walls not supported by studs.



WALLS MADE OF DRYWALL WITH WOODEN OR METAL STUDS

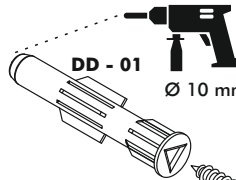
STEP 9-1



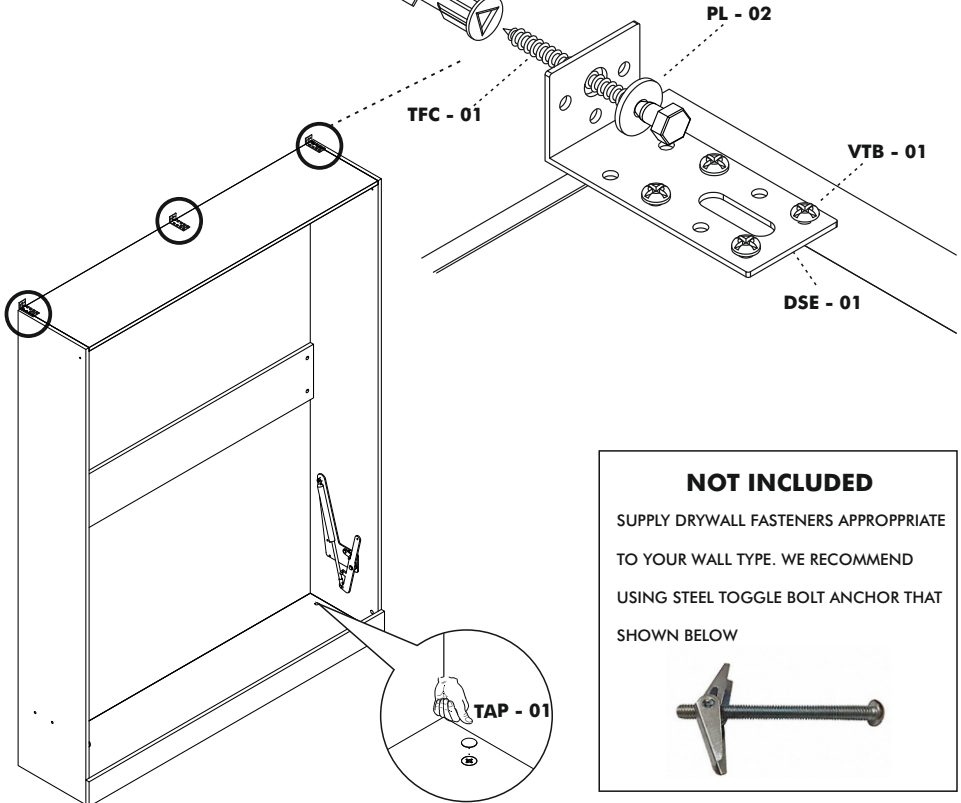
Ø 10 mm / 0,254 inc



FIRST LOCATE THE STUDS BY USING "STUD FINDER" IN THE WALL AND DRILL IT ACCORDING TO THE HEIGHT MEASUREMENTS GIVEN ON THE SIDE.
UPPER HOLES SHOULD BE DRILLED FOR ATTACHING BED AT NEXT STEP



Ø 10 mm / 0,254 inch

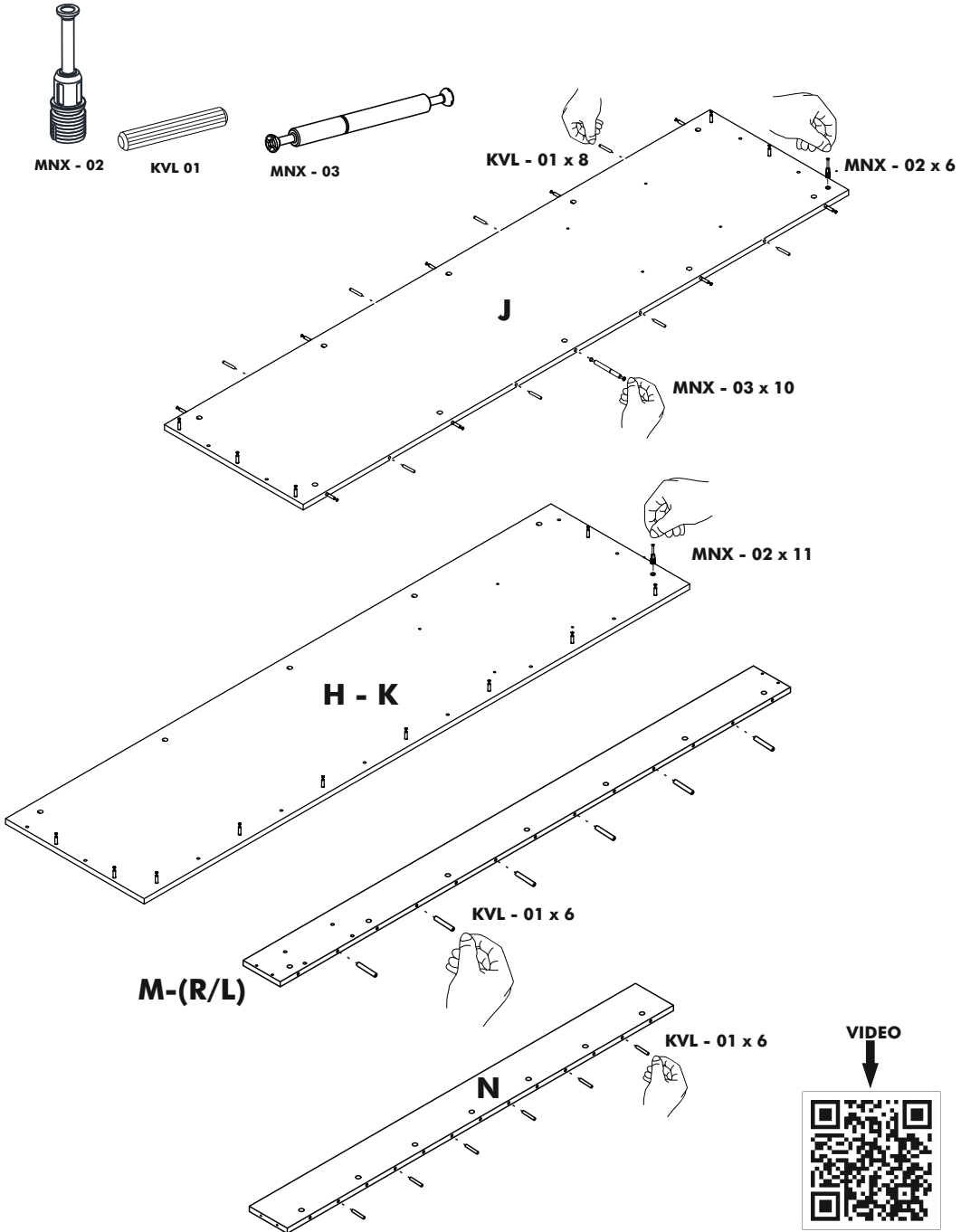


NOT INCLUDED

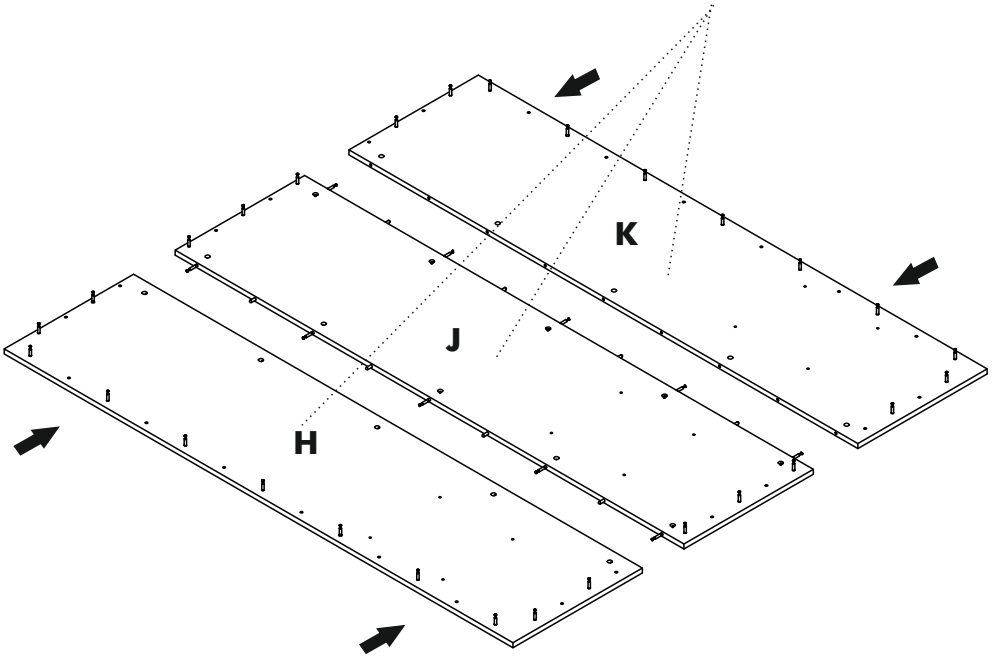
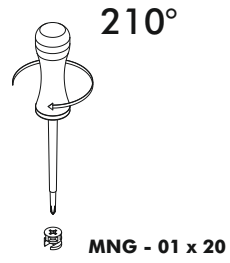
SUPPLY DRYWALL FASTENERS APPROPRIATE TO YOUR WALL TYPE. WE RECOMMEND USING STEEL TOGGLE BOLT ANCHOR THAT SHOWN BELOW



STEP 10



STEP 11



VIDEO

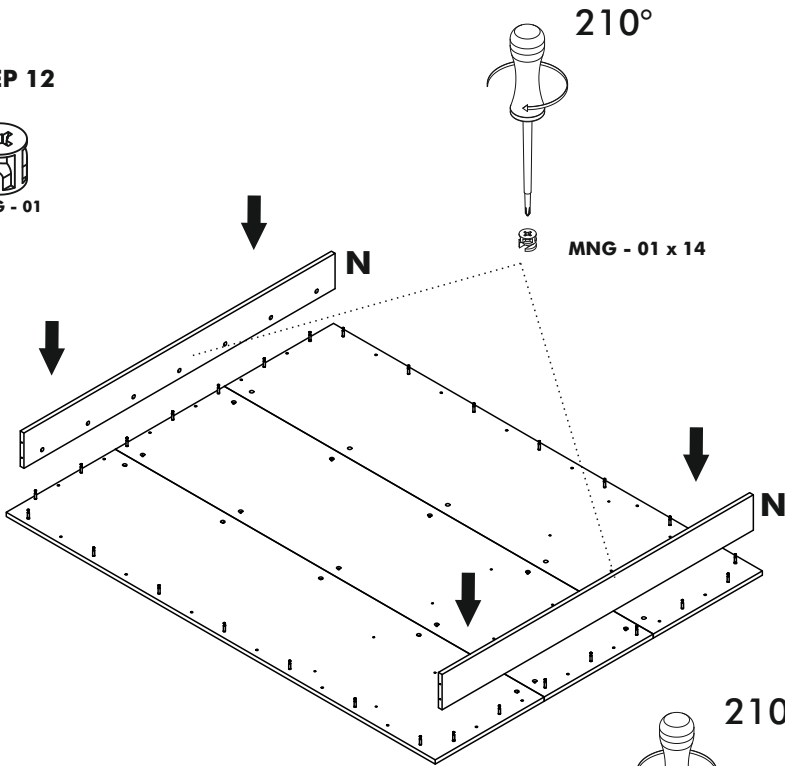


<https://youtu.be/4Kqd8Z32wpQ>

STEP 12



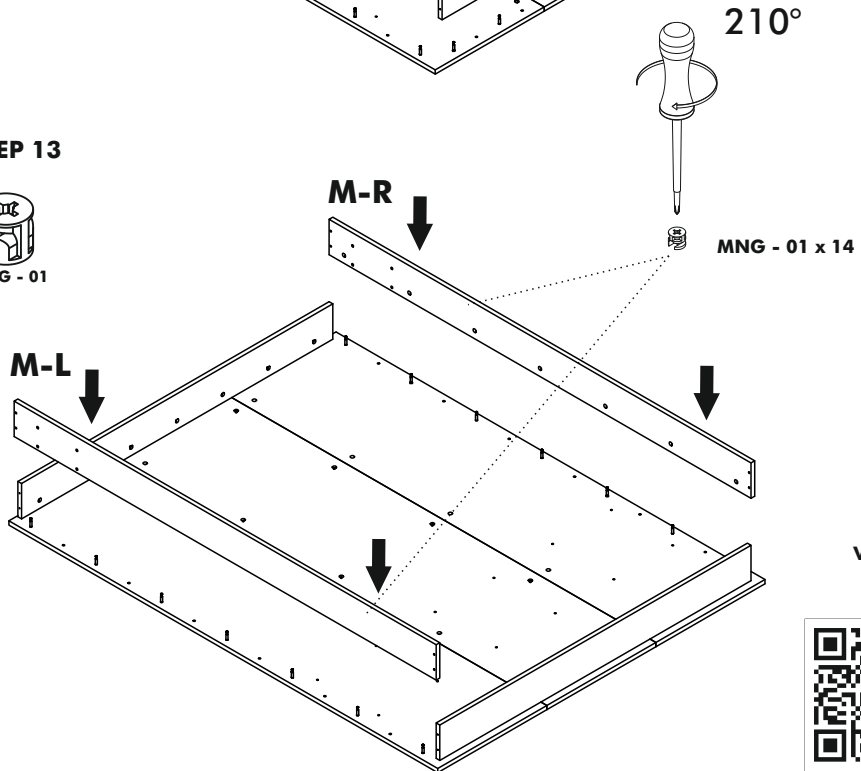
MNG - 01



STEP 13



MNG - 01

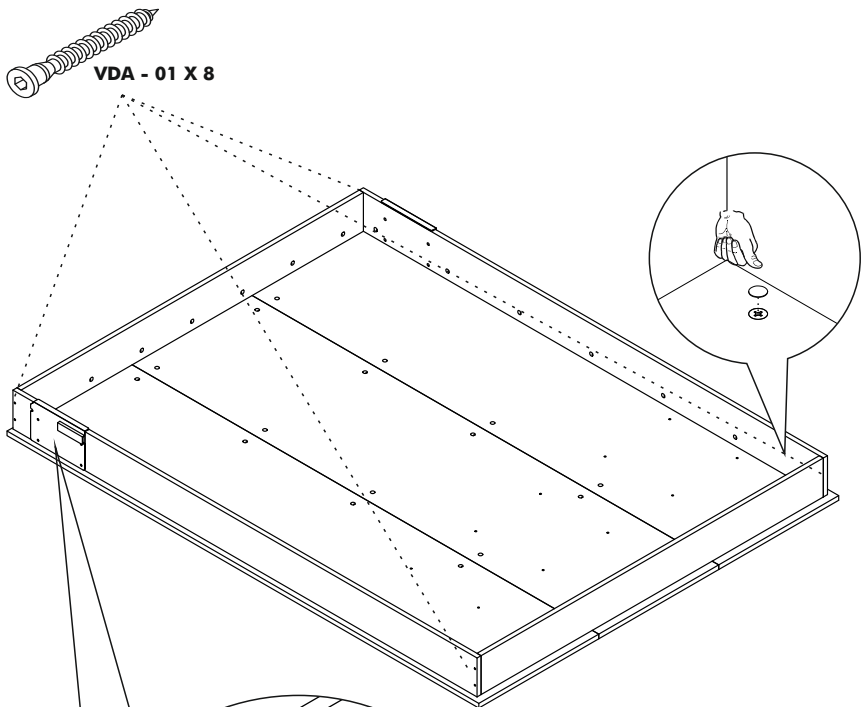


VIDEO

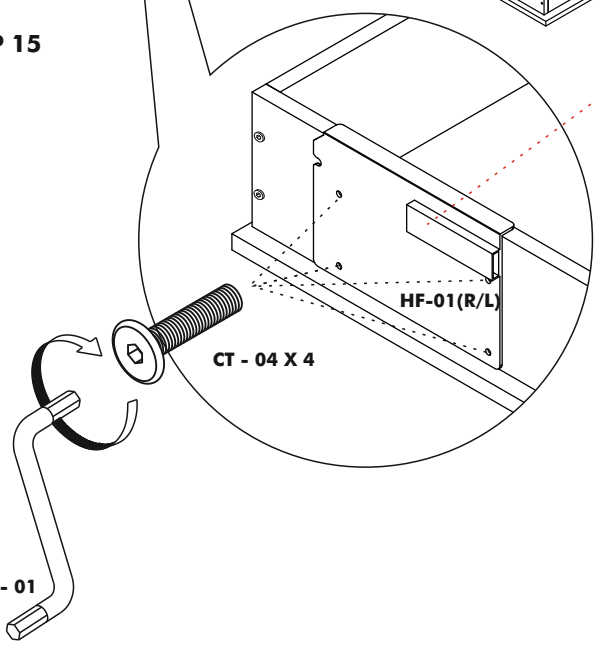


<https://youtu.be/-a3M-ikq6iw>

STEP 14



STEP 15



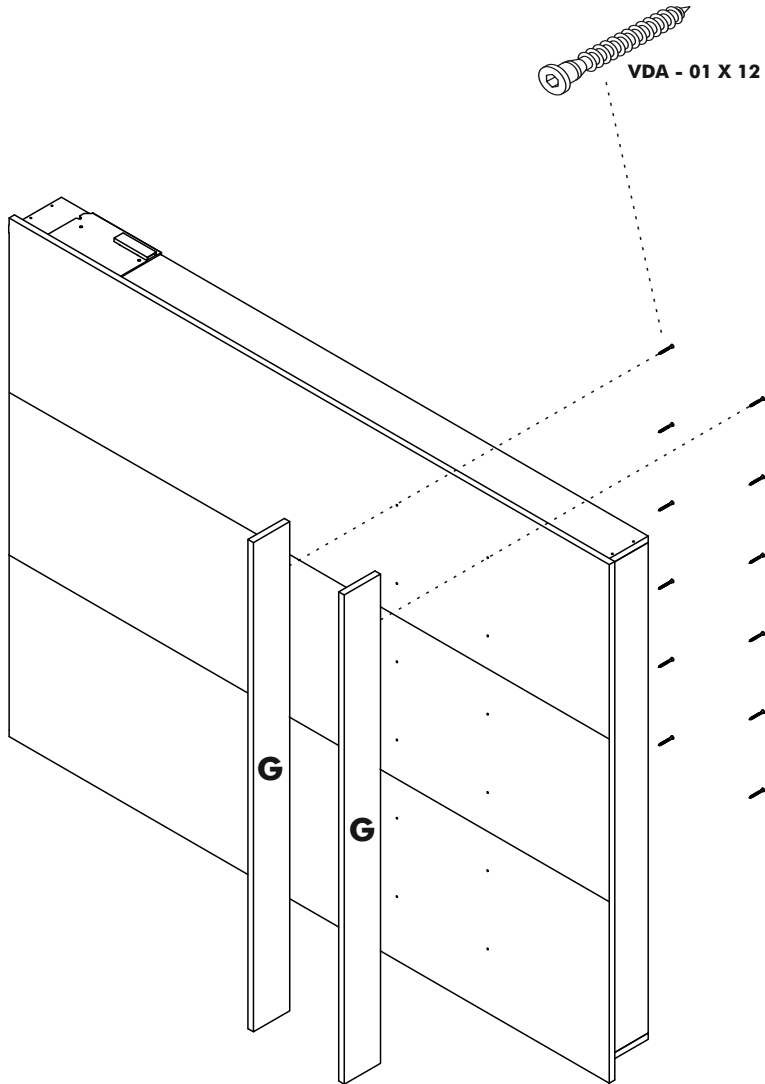
HF - 01 (R/L) Mind the direction!

VIDEO



<https://youtu.be/ktx0wP65PEE>

STEP 16

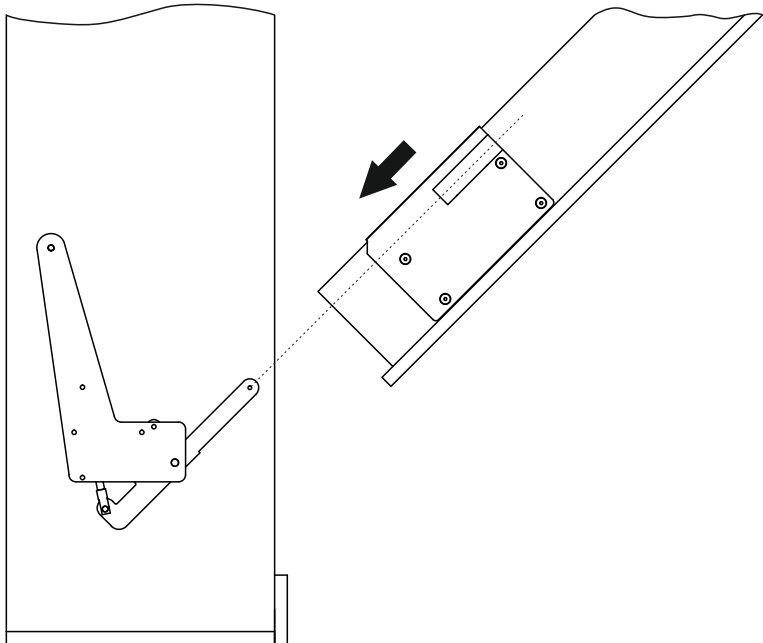


VIDEO



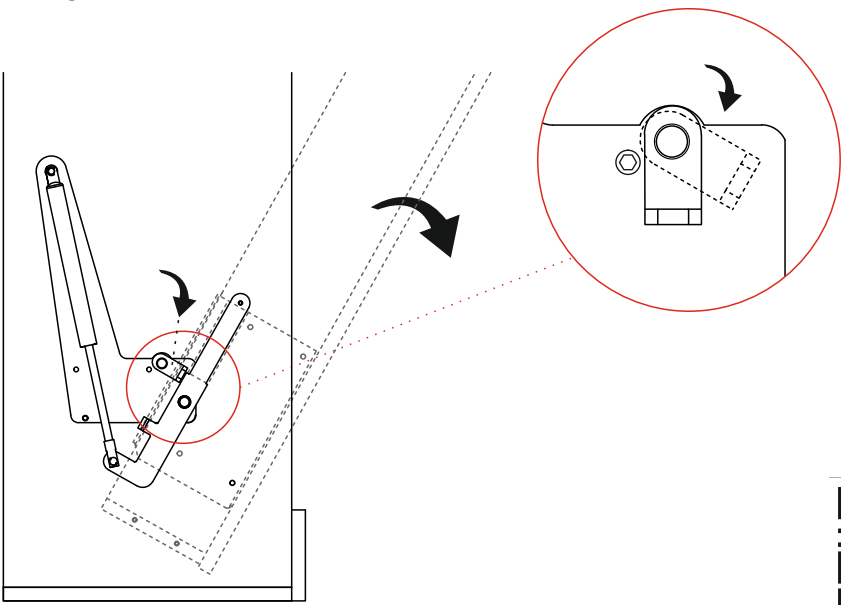
<https://youtu.be/m4-9LJGLonM>

STEP 17



LET THE STOPPER LOCK MOVE DOWN !!!

STEP 18

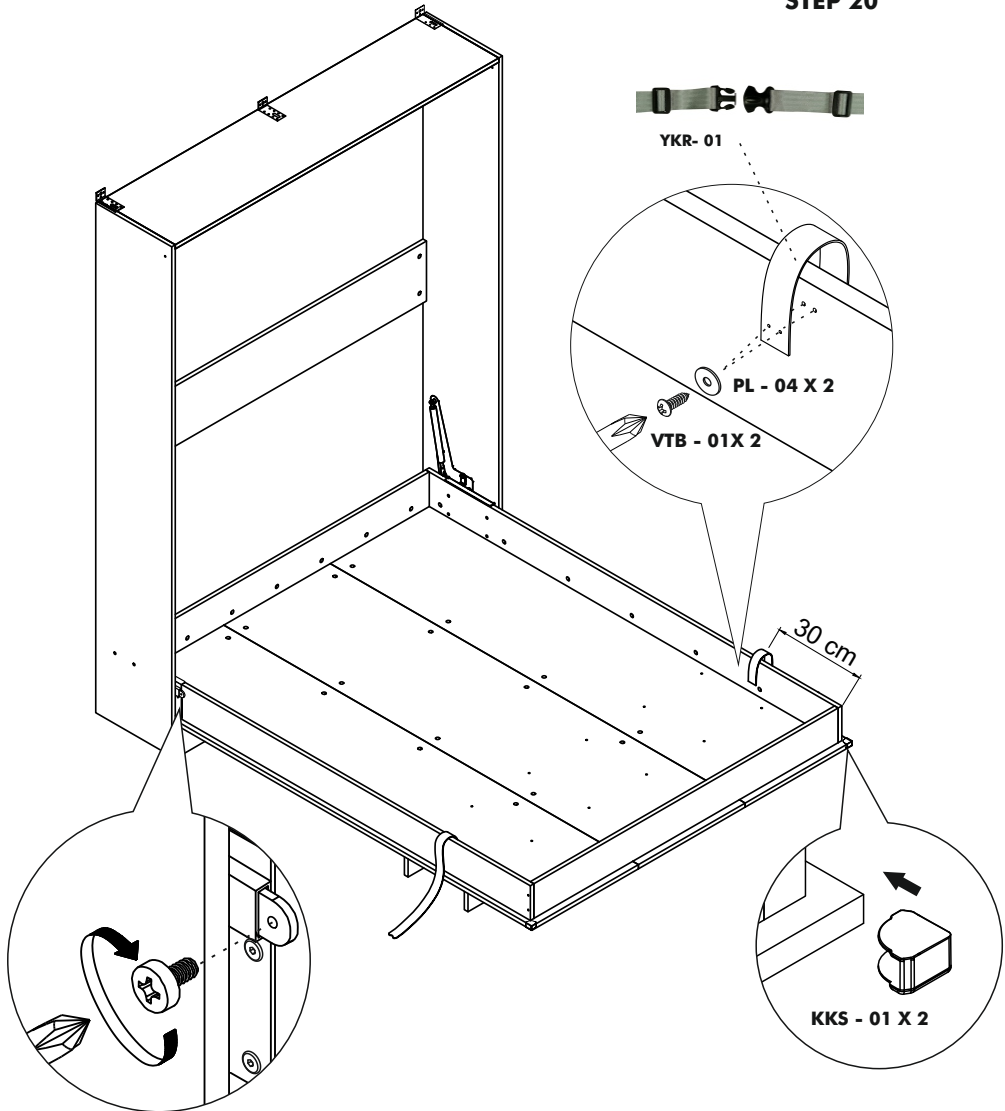


VIDEO



STEP 19

STEP 20



PLEASE INSERT THE FIXING SCREW !!!

VIDEO



<https://youtu.be/MPczvHLtPw>

1. Wall beds must be securely attached to the wall. Hardware for mounting to concrete, brick or similar strong material is included.
2. When mounting to drywall, wall beds must be attached to wooden or metal studs in 2 or 3 points. Do not mount wall beds directly to drywall or paper-mache type wall without properly attaching it to studs. Please choose appropriate fasteners for the type of wall the bed will be mounted on. Drywall mounting hardware is not included.
3. For safety and product longevity you must periodically inspect the integrity and tightness of the mounting and mechanical connections. Confirm hardware remains properly affixed and connections are snug.
4. Do not lean or rest heavy objects on sides or top of furniture. This may cause balance issues and compromise the integrity of your mounting connections.
5. Please use wall beds and integrated shelves, desks and sofas as intended. Do not jump and/or exceed supported weight limits. Do not sit or lean on integrated shelves and desks. Improper use may cause personal injury and damage to property.
6. With seasonal humidity change please inspect the interior and exterior of the furniture for deformation and/or discoloration.
7. Before any un-mounting or disassembly please contact Multimo Beds for technical support and instructions. Failure to properly detach may result in personal injury and damage to property.



WARNINGS

IMPORTANT! HAZARD WARNING!

All Wall Beds contain sophisticated and powerful lifting mechanism. Failure to follow assembly and installation instructions may result in **severe personal injury and damage of the product.**

SECURE RIGIDLY TO A WALL!

Improper attaching wall bed to a wall will create a tip-over hazard and may result in severe personal injury or even death. **ONLY qualified installers should install or remove a wall bed.**



WARRANTY

RETAIL RESIDENTIAL TERM

Lifetime guarantee on hardware.
5 year structural guarantee on cabinetry.

COMMERCIAL TERM

Lifetime guarantee on hardware.
2 year structural guarantee on cabinetry.



www.multimobeds.com